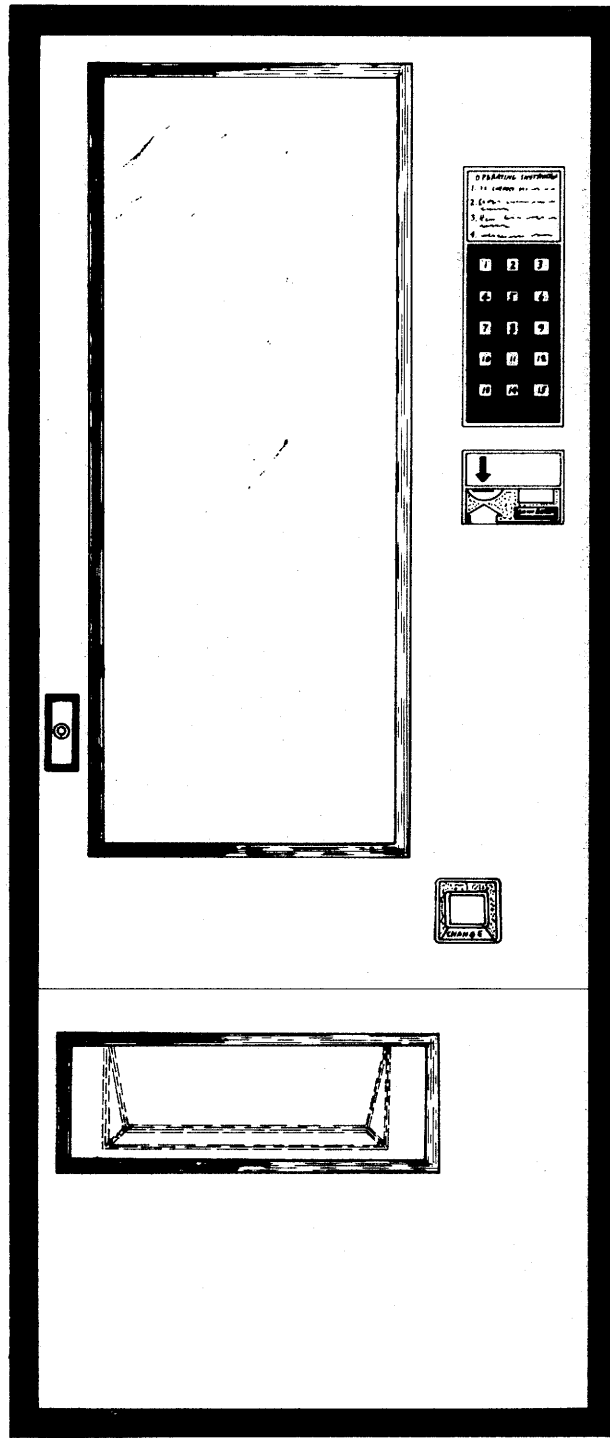


15 H & CSGF 15



Service & Parts Manual

Table of Contents

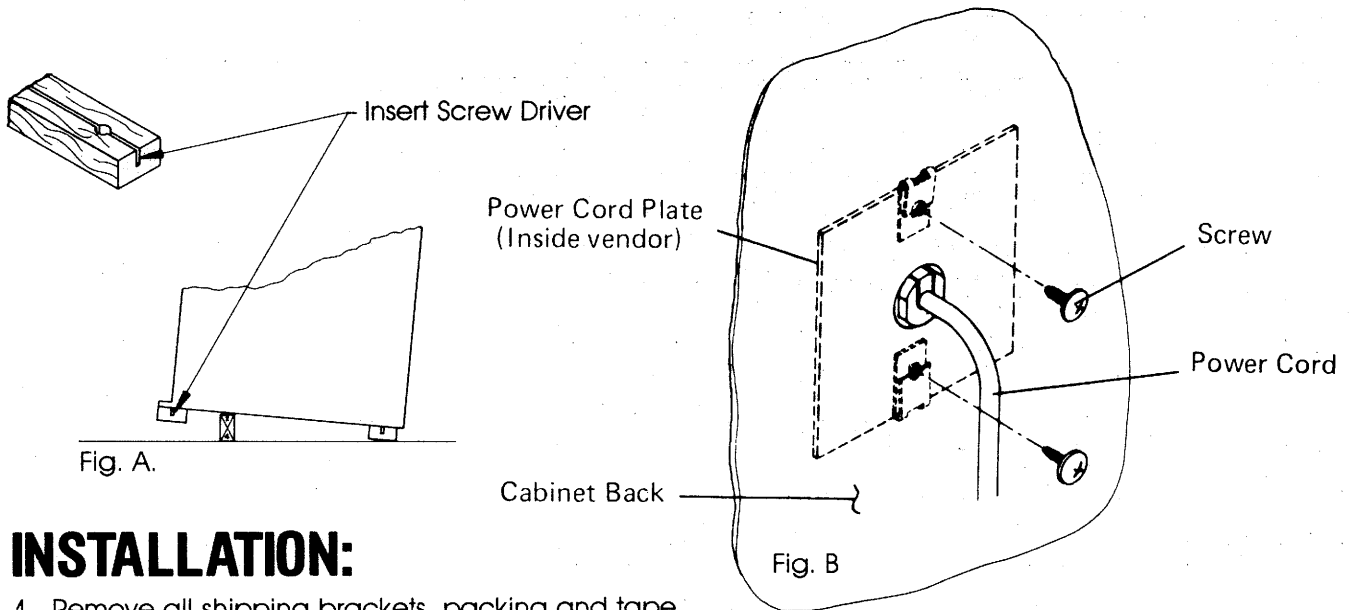
Specifications:	3
Installation:	3
Product Loading	4
Coin Mechanism:	
General	5, 6
Price Setting	5, 6
Illustration	6
Trouble Shooting:	7, 8
Helix Timing:	8
Motor Jumping:	9
Wiring Diagram:	0
Care and Cleaning:	11
Slug Rejector:	11
Parts List:	
Final Unit Assembly:	12
Final Unit Parts List	13
Cabinet Assembly	14
Cabinet Parts List	15
Relay Panel Assembly	16
Relay Panel Parts List	17
Flat Helix Tray Assembly	18
Flat Helix Tray Parts List	19
Wire Helix Tray Assembly	20
Wire Helix Tray Parts List	21
Wire Helix Tray Assembly	22
Wire Helix Tray Parts List	23
Door Assembly	24
Door Parts List	25, 26

SPECIFICATIONS:

CABINET: Height 68"
 Width 28"
 Depth 31"
 Weight 425 lbs.

COINAGE: Four price changer.
 Accepts nickels, dimes and quarters.
 Selection of four vend prices, 5¢ through \$3.15;
 adjustable in 5¢ increments. Change payback is up
 to and including \$3.15 in 5¢ increments with tube
 escrow until selection.

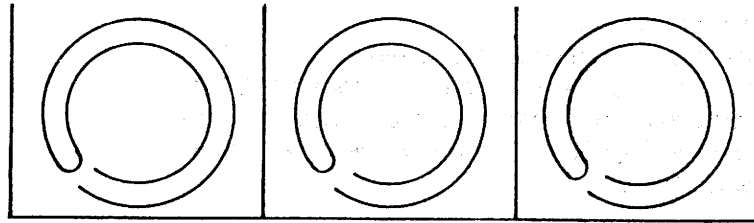
ELECTRICAL: Line source 115 VAC, 60 Hz
 Current 1.4 amps maximum



INSTALLATION:

1. Remove all shipping brackets, packing and tape.
2. Remove knock-a-way support, by inserting screwdriver and splitting the knock-a-way into. Turn the levelers in as far as possible. (See fig. A).
3. Move the vendor to the desired location.
4. The vendor must be level to operate correctly. With the levelers turned in as far as possible, adjust so the machine is level and does not rock or teeter on any leveler. The levelers provided may be turned from underneath or outside the cabinet.
5. This vendor may be anchored to the floor by removing the snap in caps located on the cabinet floor.
6. Run the power cord through the hole in the cabinet back. Align the two holes on the cord plate with the holes on the back by holding on to the cord. Then attach the plate with the screws provided. Make sure electrical outlet is properly grounded to insure customer safety. (See Fig. B)

PRODUCT LOADING:



FLAT WIRE HELIX TRAY

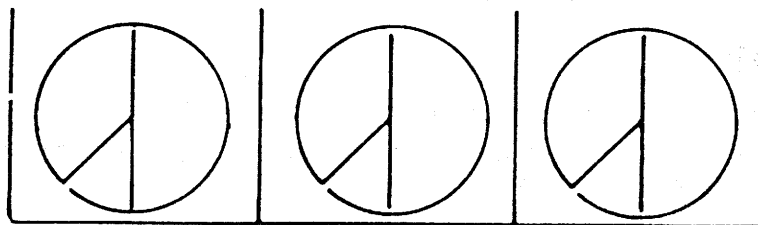
Lift front of drawer upward and pull forward to stops.

Load all products upright with the identification forward.

The flat wire helix loads with the products resting on the bottom coil of the helix.

The wire helix loads with the products resting on the floor between the helix.

After loading check to see that the adjustable floor is properly adjusted. Adjust by moving floor in or out to insure the front product will not slip out of the helix.



WIRE HELIX TRAY

THE F300-9400 COIN CHANGER

The F300-9400 Coin Changer is a new product of Coinco's continuing program of research in computerized crediting systems. Electronic circuitry in this changer provides the capability of selecting 4 out of 63 different vend prices in 5¢ increments. Furthermore, these vend prices can be set on four different vend lines by using only one price switch module. All four vend lines can be set to one vend price, or a different vend price can be set on each vend line. Setting the vend price on each vend line, is accomplished by pressing any selection switch on a specific vend line one time. This simplified electronic unit provides many important features never before available in any coin changer.

FEATURES OF THE F300-9400

- Select any vend price up to \$3.15 in 5¢ increments.
- Nickel/Dime/Quarter* payout.
- "Escrow until Delivery", allows the customer to get back amount inserted any time before a delivery is made.
- Complete electronic control of four different vend prices, with no selection lock-out or latch-in devices required.
- Change is payed out from self loading nickel and dime coin tubes in the fewest number of coins.
- Cash Accountability outputs*.
- An incomplete transaction of one customer will not affect the next transaction.
- Greater simplicity of operation, fewer parts, less service required, no electronic experience necessary.
- Available in 117vac and 24vac models.

*Designates optional capability.

INSTALLATION

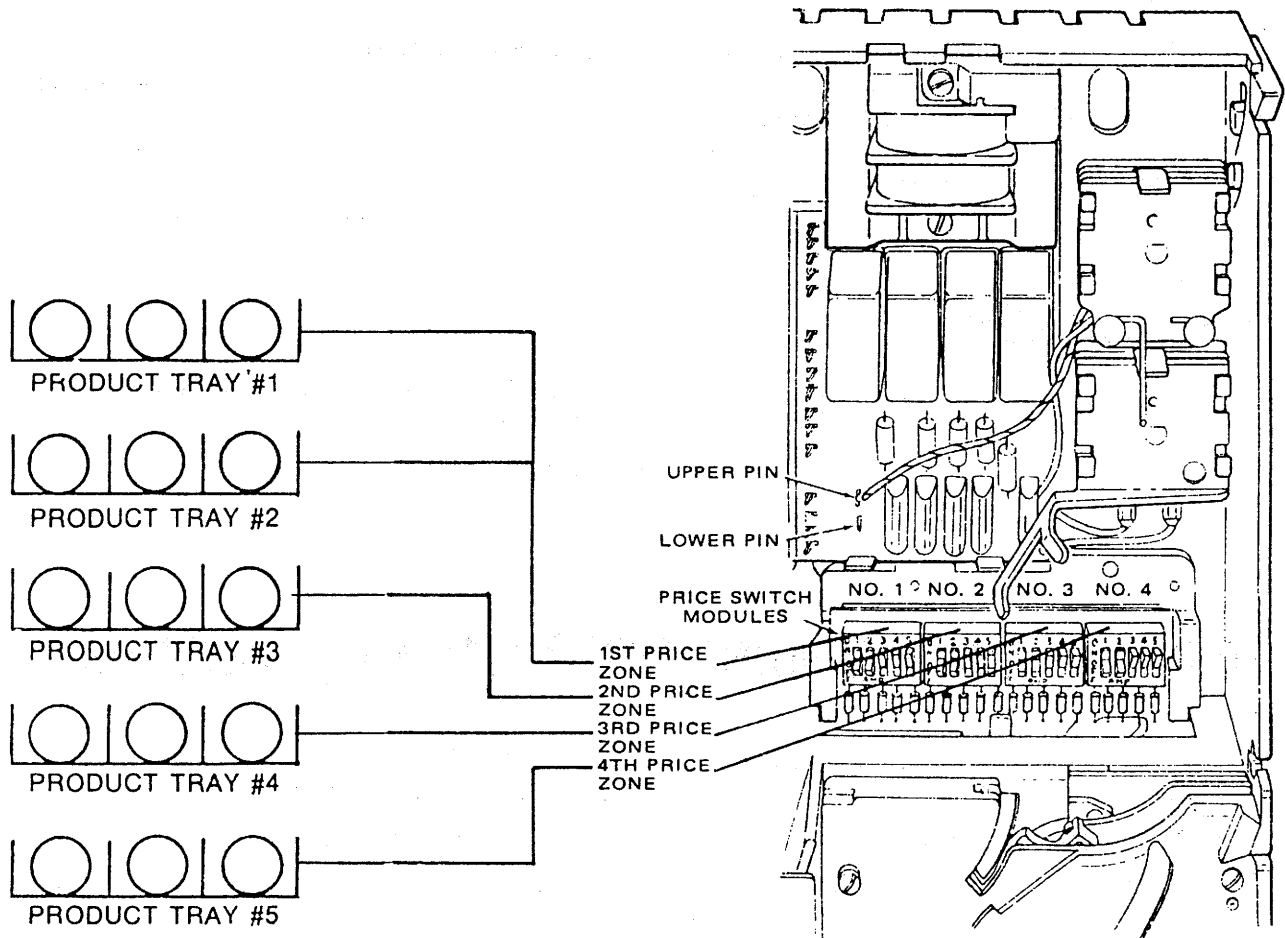
1. With coin acceptor removed, set the three mounting key holes in the back of the changer over the mounting screws in the vendor and tighten the mounting screws.
2. Plug the coin changer into the vendor 117vac, 60 Hertz power.

PRICE SETTING/CHANGING INSTRUCTIONS (POWER ON)

1. On the price switch module, place the required switches to ON.
EXAMPLE: For a 35¢ vend price, set switches 1, 2 and 3 to ON. All other switches must be OFF.
2. On the upper right corner of the logic board, press and release the price arming switch..
3. Within 10 seconds, press and release any selection switch on a specific vend line. All selection switches on this line are now set to price selected in step 1.
4. Repeat steps 1, 2 and 3 to set remaining vend lines at different vend prices or repeat steps 2 and 3 to set all vend lines at the same price selected in step 1.
5. Carefully load nickel/dime coin tubes, make sure coins lie flat in the tubes.
6. Re-install acceptor and test for proper price setting and operation of all vend lines, by inserting a variety of coins.

COIN MECHANISM AND PRICE SETTING: WITH (5¢ TO \$1.50 CHANGER)

1. Unplug coin mechanism from vendor.
2. Remove coin acceptor from changer.
3. Removing the acceptor reveals the four selection price switch modules, numbered 1 thru 4. Each module has five miniature rocker type switches, numbered 1 thru 5. These switches correspond to prices as follows: #1 is 5¢, #2 is 10¢, #3 is 20¢, #4 is 40¢, #5 is 80¢. Set the vend price of each zone, by adding the value of the rocker switches in the "ON" position. Example: Switches #1 and #3 of zone #1 (#1 switch module), in the "ON" position. Since #1 switch is 5¢ and #3 switch is 20¢, the price in this zone is now 25¢.
4. If all four zones are set for 25¢, or above, connect the white/black wire from the upper pin to the lower pin.



TROUBLE SHOOTING

- I. Vendor refuses all coins.
 - A. Lights for product or selector are out.
 - 1) Check power cord to see if it is plugged in.
 - 2) Check fuse or circuit breaker in building for power.
 - 3) Check black or white wire from line cord to transformer.
 - B. Lights are on but C.R.E.M. coils are not pulled in.
 - 1) Check circuit breakers on relay panel.
 - 2) Check all plugs containing orange, orange/green, orange/blue, white/orange wires.
 3. Check to see if all vend motors are home.
 - a) Turn each motor clockwise by hand starting with #1. They should run by themselves after a slight turn.
 - b) When you find the first motor that does not run you have found the break in the series circuit. It is between the last motor that ran and the first motor that did not.
 - c) If you center the first motor that did not run in its detent and the C.R.E.M. coils push in, the motor is defective or a wire is off of the coil of the motor.
 - d) If you center the motor that did not run and the C.R.E.M. coils do not pull in, there may be a wire off of the cycle switch or the switch is defective.
 - e) Also check the plugs on the trays of both motors if the last one to run was the last motor in a tray and the first motor that did not run is the first motor in the next tray.
 - C. Lights are on and C.R.E.M.s are pulled in.
 - 1) Check rejector
 - a) Check coin paths for foreign material.
 - b) Check rejector on level surface and drop coins to find problem.
 - 2) Check to see that the blocking fingers do not protrude into coin paths.
 - 3) Check to see that vendor is level.
- II. Coin mechanism accepts dimes and nickels but no quarters and correct change light is out.
 - A. Check to see if pay out tubes have enough change.
 - B. Check to see if change empty switch is activated.
- III. Coin mechanism accepts dimes and nickels but no quarters and correct change light is out.
 - A. Check for burned out change light and no change.
 - B. Check rejector for foreign material in quarter track.
 - C. Quarter C.R.E.M. may be defective.
- IV. Coin mechanism accepts quarters but no dimes or nickels. (change in tubes.)
 - A. Check rejector for foreign material in dime or nickel track.
 - B. Check for defective nickel-dime C.R.E.M. coil.
- V. Vendor vends properly but pays out wrong or no change.
 - A. Prices set wrong.
 - B. Product not zoned properly.
 - C. Changer set to accept quarters all the time but change tubes are empty.
 - D. Defective credit system in coin mechanism. (replace unit)
- VI. Vendor accepts money but will not vend on all selections.
 - A. Prices set wrong.
 - B. Check plugs behind relay panel and on selector switches.
 - C. Broken or loose white/orange wire from relay panel to motors.
 - D. No credit from coin mechanism. (replace unit)

- VII. One tray will not vend rest of machine normal.
- A. Check plug on tray for loose or broken white/orange wire.
- VIII. One selection in tray does not work rest of machine is normal.
- A. Defective motor
 - B. Loose or broken wire on motor coil.
 - C. Loose or broken selection wire between selector button and motor.
 - D. Defective selector switch.
- IX. Vendor preselects one product when credit is reached.
- A. Check for stuck push buttons.
 - B. Check for shorted selector switch.
- X. Vendor free vends on one selection.
- A. Credit not cancelled because motor cycle switch is not breaking C.R.E.M.s.

HELIX TIMING:

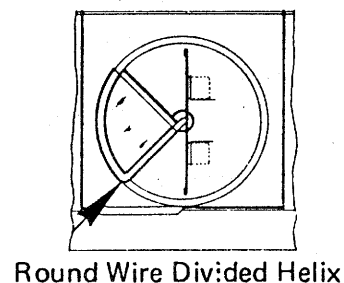
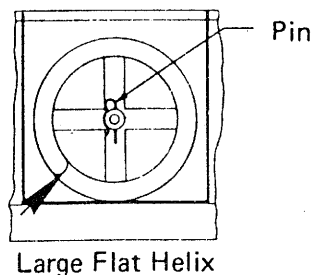
After installing a new motor the Helix must be timed. Make sure the motor is in its home or detent position.

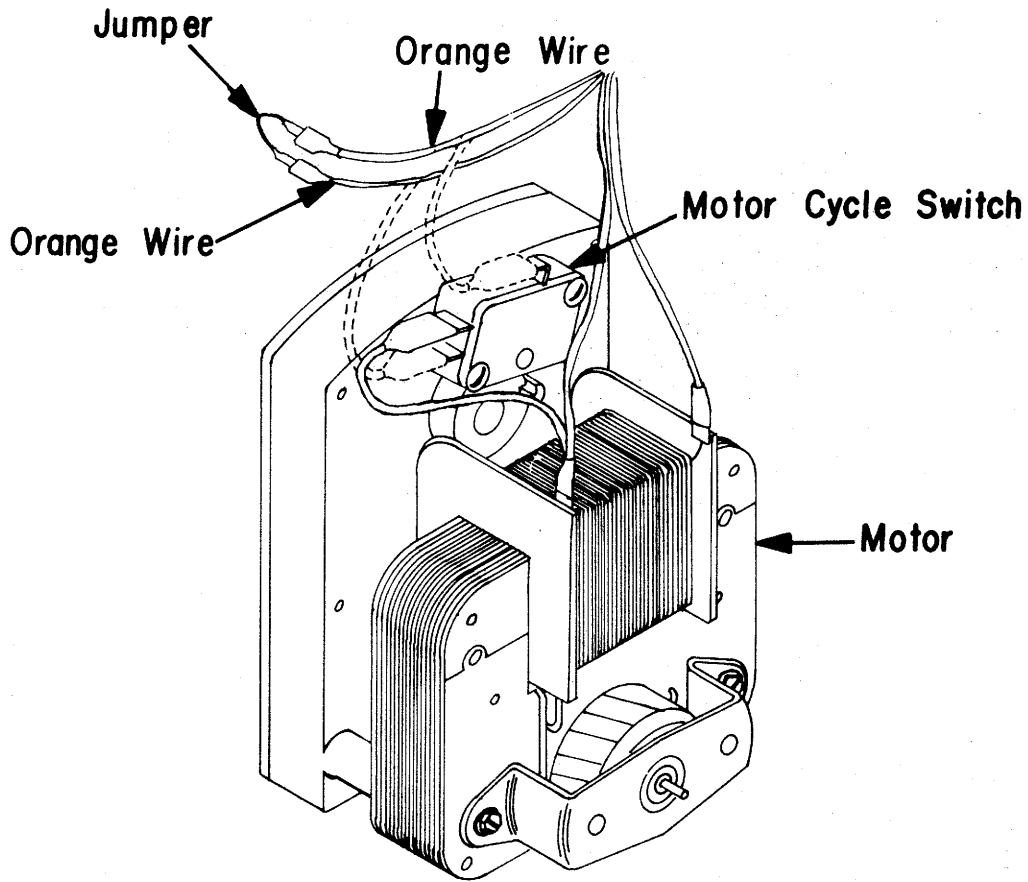
Large Flat Helix:

To remove, pull out pin at back of Helix. Replace Helix on motor shaft, with end of Helix positioned as shown by arrow. Align hole in Helix hub with motor shaft and replace pin.

Round Wire Divided Helix:

No timing is needed.



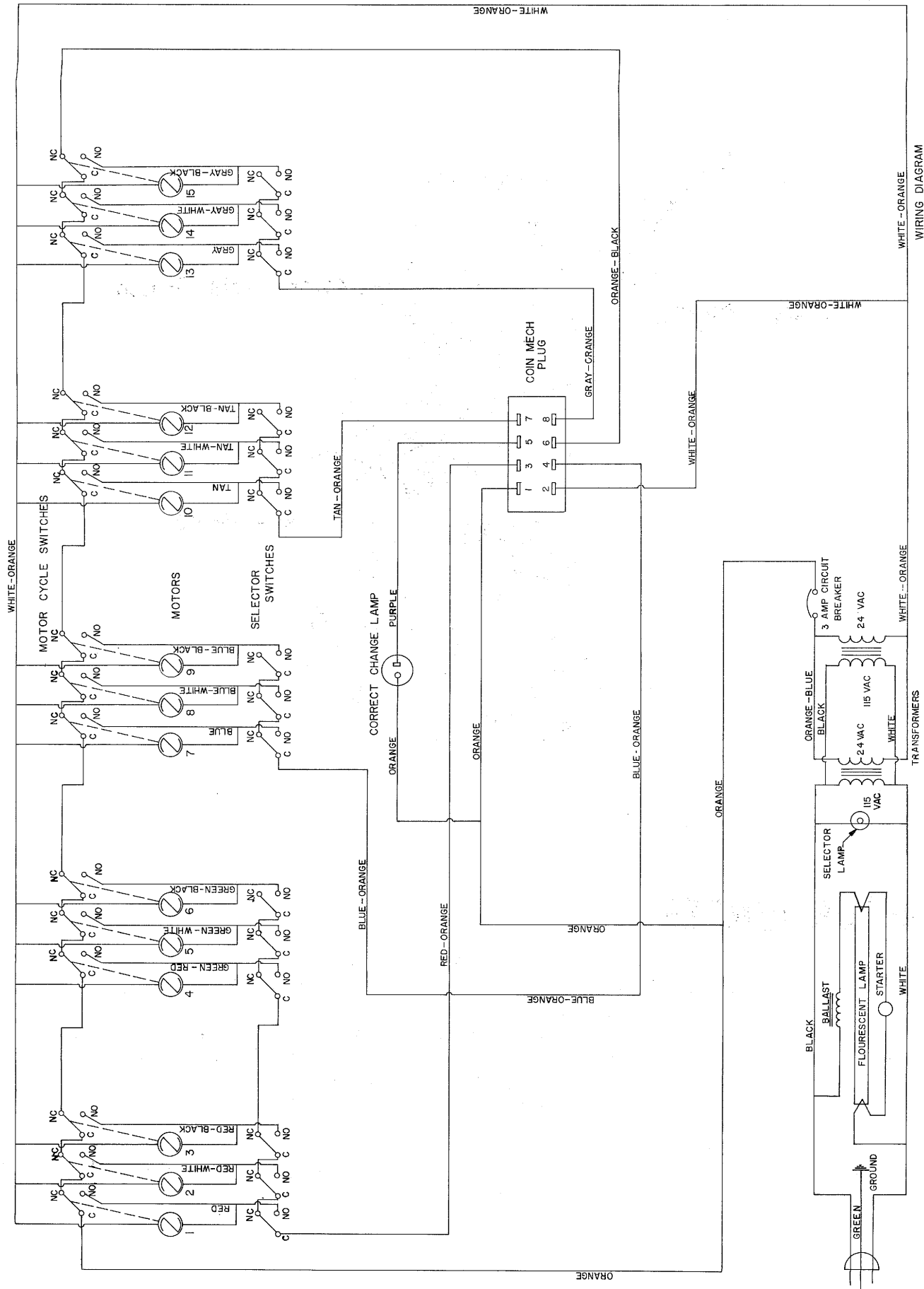


MOTOR JUMPER:

Any motor may be disconnected or removed from the vendor. By the use of a motor jumper the vendor will continue to work on all selections, except for the selection on which the jumper is used.

To use the motor jumper, disconnect the two orange wires from the motor cycle switch and connect one to each side of the motor jumper. Remove white/orange wire from motor coil and wrap with electrical tape. If removing motor completely, make sure to tape the ends of the remaining wires so they will not short to the cabinet. When reconnecting orange wires to switch be sure to put them in the proper places as shown on motor decal.

A Tray Jumper Plug may be used when removing an entire tray. Plug the jumper plug into the end of the cable, coming from the side panel. This will allow the vendor to remain in operation.



115 VAC
60 HZ
1 PHASE

WIRING DIAGRAM
15 COL.
20,588

CARE AND CLEANING:

Disconnect vendor from power source.

Cabinet Exterior: Wash with warm water and soap.

Occasionally wax with a good auto wax.

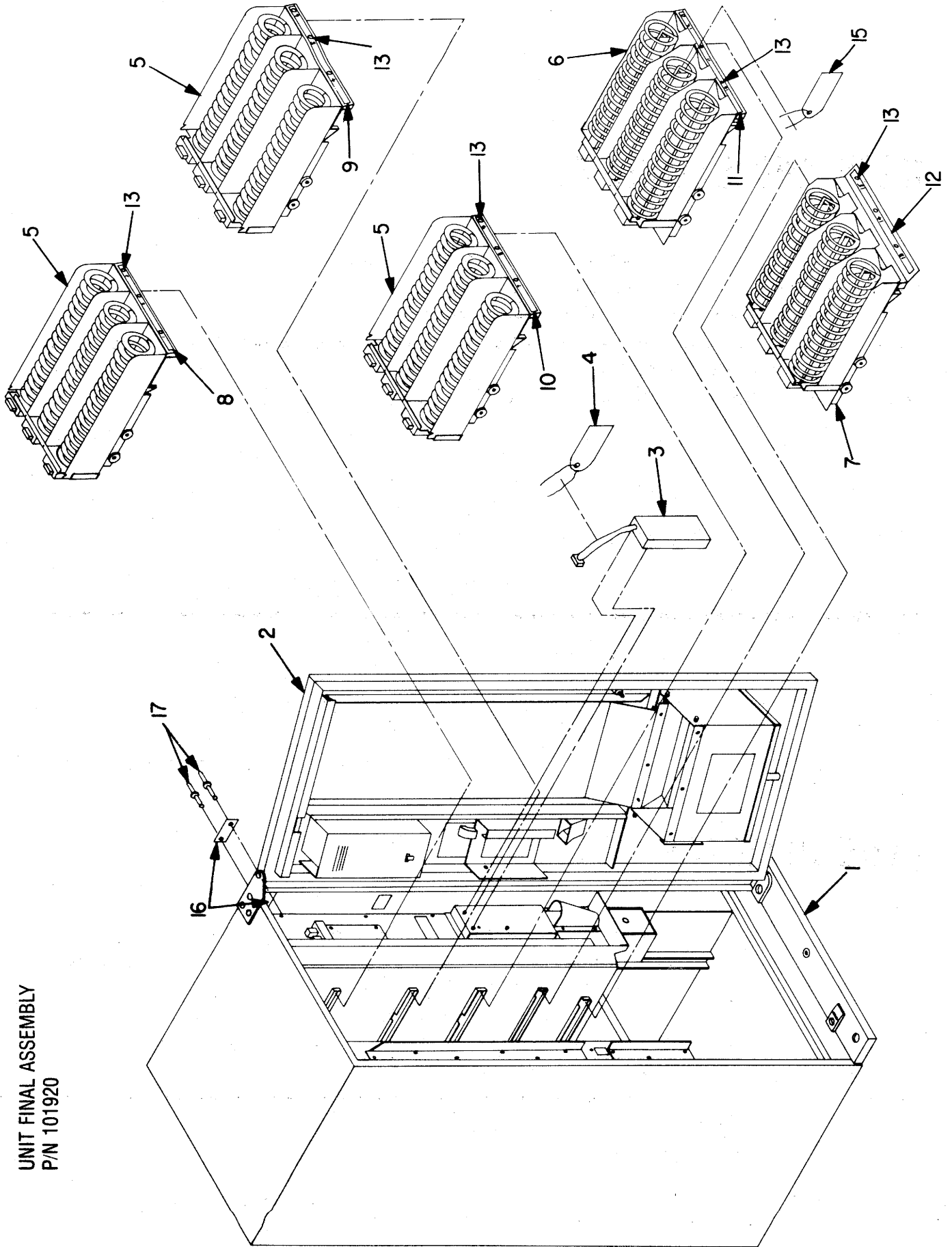
Cabinet Interior: Clear out any foreign particles from delivery box on cabinet. If needed, use a damp sponge and wipe dry.

Windows: Use any type of plastic window cleaner.

SLUG REJECTOR:

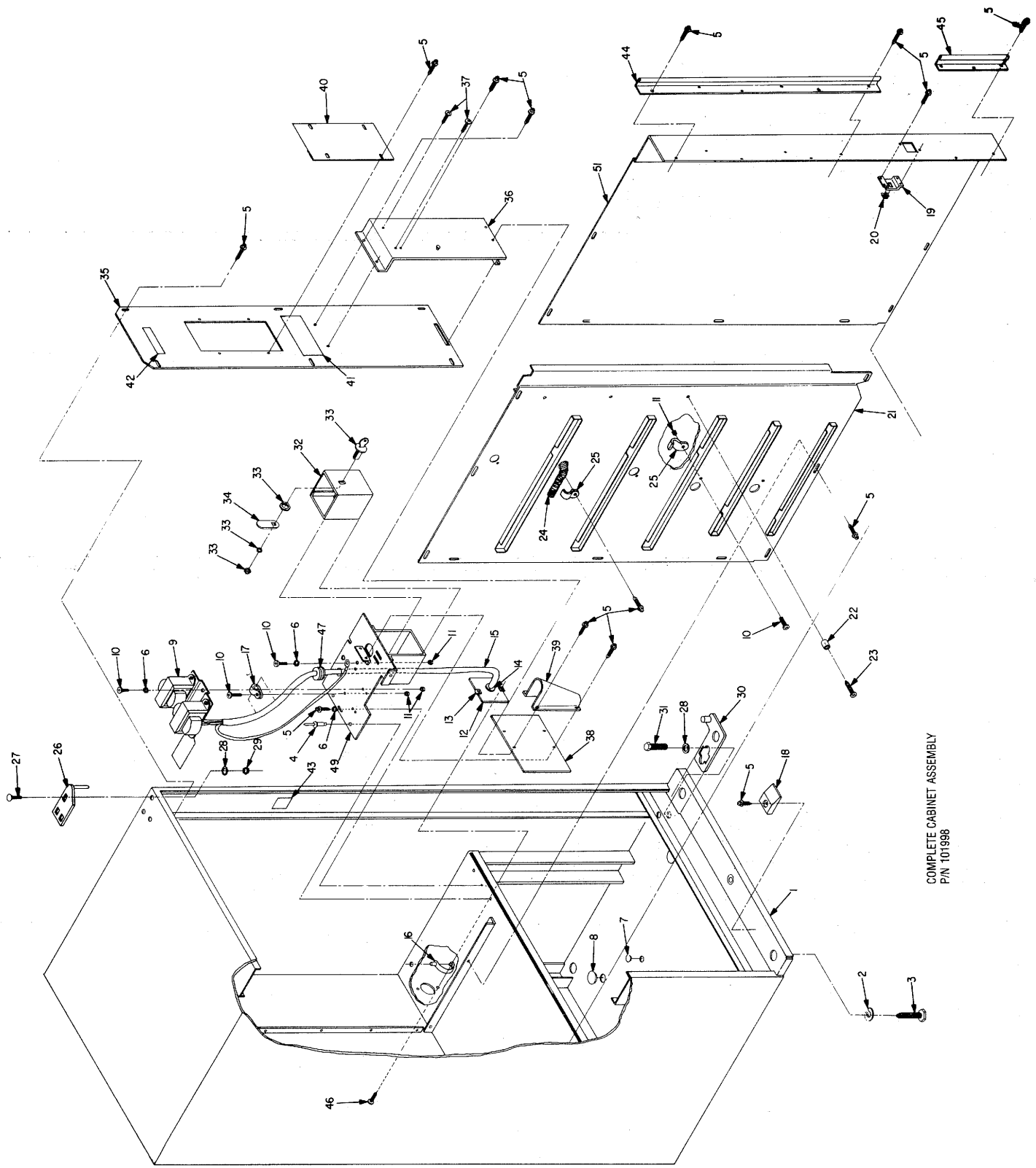
1. Remove slug rejector from coin mechanism.
2. Soak rejector in warm water and a mild liquid household detergent for approximately ten (10) minutes.
3. Use a stiff paint brush or toothbrush to clean foreign matter from the rejector.
4. Rinse in clean warm water.
5. Dry thoroughly by shaking or by applying filtered compressed air.

UNIT FINAL ASSEMBLY
P/N 101920



Item	Part No.	No. Req'd.	Description
17	50667	2	Pop Rivet 1/8 Dia. x 188-.250 Grip Range
18	60036	4	4" Leg (Service Part Only) (Not Shown)
19	101693-000	1	Complete Wiring Harness Assy
	33055	1	Push Button Harness W/Switch 1-3
	33056	1	Push Button Harness W/Switch 4-6
	33057	1	Push Button Harness W/Switch 7-9
	33058	1	Push Button Harness W/Switch 10-12
	33059	1	Push Button Harness W/Switch 13-15
	33060	1	Relay Harness
	33042	5	Tray Harness
	33044	1	Main Harness
	33974	1	Light Harness
	33975	1	Transformer Harness Sec.
	33976	1	Transformer Harness Pri.
	33960	1	Tray Jumper Plug
	34170	1	Motor Jumper

Item	Part No.	No. Req'd.	Description
1	101998	1	Complete Cabinet Assembly
2	101680	1	Complete Door Assembly
3		1	Coin Mechanism
4	20480	1	24 Volt Tag
5	101682	3	Flat Wire Helix Tray Final Assy
6	101681	1	Wire Helix Tray Final Assy #4
7	101919	1	Wire Helix Tray Final Assy #5
8	20680-000	1	Item Selection No's (1-3)
9	20680-001	1	Item Selection No's (4-6)
10	20680-002	1	Item Selection No's (7-9)
11	20680-003	1	Item Selection No's (10-12)
12	20680-004	1	Item Selection No's (13-15)
13	20734-000	1	Price Tab Sheet 25c-35c
	20734-001	1	Price Tab Sheet 15c-20c-35c
	20735-000	1	Price Tab Sheet 40c-50c
	20735-001	1	Price Tab Sheet 50c-\$1.55
	20736-000	1	Price Tab Sheet 55c-65c
	20736-001	1	Price Tab Sheet 65c-\$1.60
	20737-000	1	Price Tab Sheet 70c-80c
	20737-001	1	Price Tab Sheet 80c-\$1.65
	20738-000	1	Price Tab Sheet 85c-95c
	20738-001	1	Price Tab Sheet 95c-\$1.70
	20739-000	1	Price Tab Sheet \$1.00-\$1.10
	20739-001	1	Price Tab Sheet \$1.10-\$1.75
	20740-000	1	Price Tab Sheet \$1.15-\$1.25
	20740-001	1	Price Tab Sheet \$1.25-\$1.80
	20741-000	1	Price Tab Sheet \$1.30-\$1.50
	20741-001	1	Price Tab Sheet \$1.50-\$1.85
	20742-000	1	Price Tab Sheet \$1.90-\$2.90
	20742-001	1	Price Tab Sheet \$3.00-\$3.15
15	20491	1	Caution Tag
16		1	Serial Plate



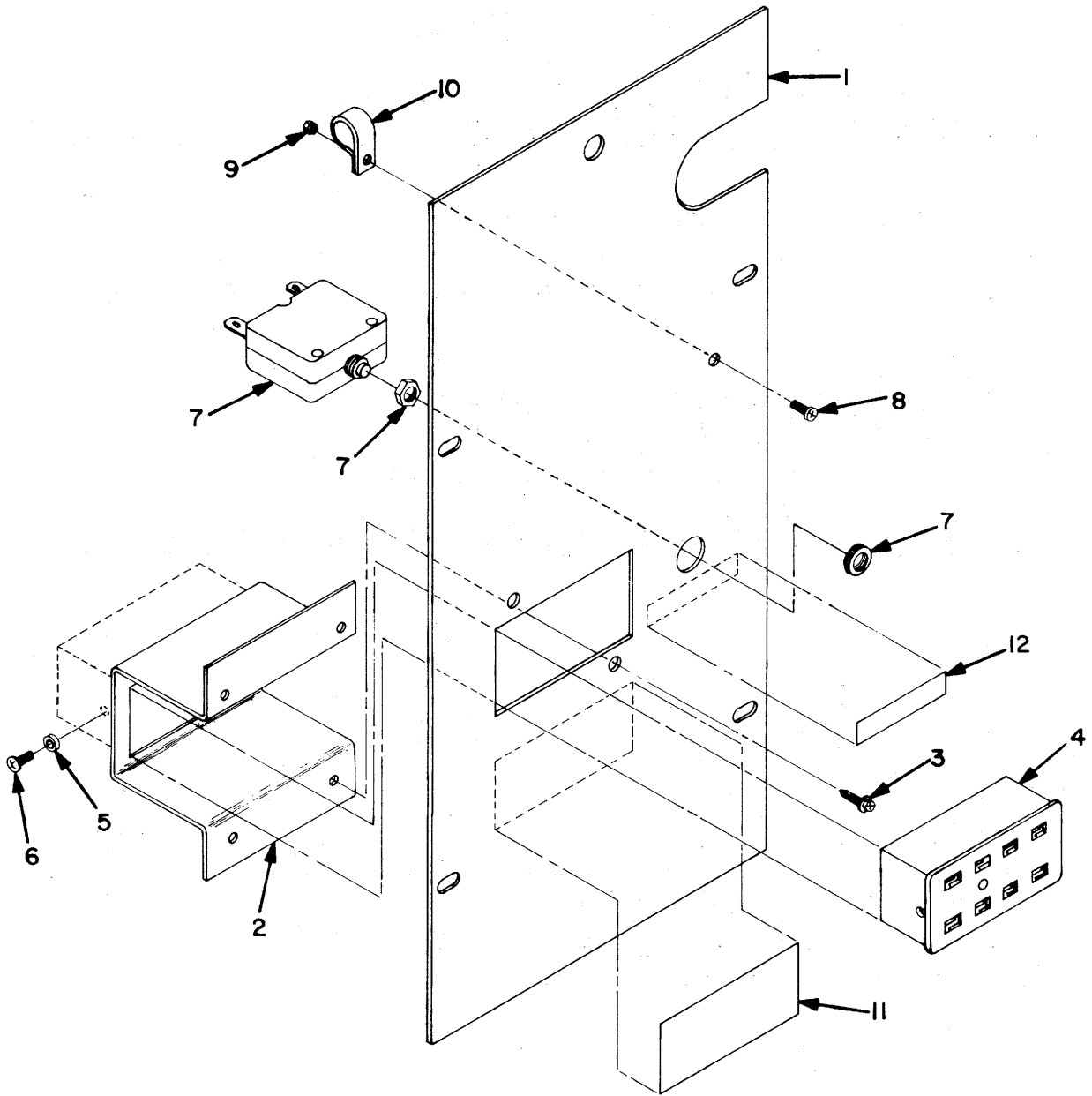
COMPLETE CABINET ASSEMBLY
P/N 101998

Item	Part No.	No. Req'd.	Description
1	101590	1	Complete Cabinet Weld Assembly
2	60310	4	Leg Leveler
3	9927	4	Leg Leveler Washer
4	50685	2	3/16 x 1/4 Pop Rivet
5	50202	49	#8-18 x 1/2 Phil./Hex Washer Hd. Tek
6	50585	8	#8 External Shake-Proof Lock Washer
7	25-0135-001	2	Hole Plug — 1/2
8	25-0135-002	3	Hole Plug — 1
9	101657	1	Transformer Assembly — Complete
10	50240	10	#8-32 x 3/8 Phil. Pan Hd. M.S.
11	50513	10	#8-32 Twin Whiz
12	8548	1	Power Cord Plate
13	50595-001	2	"J" Type Tinnerman
14	33683	1	Cord Relief Bushing
15	33631	1	3-Prong Power Cord
16	60230	1	Plastic Clamp (Tinnerman)
17	60116	1	Plastic Wire Clamp 3/8"
18	25610	1	Door Glide
19	9831	1	Lock Nut Bracket
20	50760	1	1/2-13 Lock Nut
21	100805-001	1	Right Side Panel Weld Assembly
22	60174	6	Stop Bushing
23	50241	6	#8-18 x 3/4 Phil. Pan Hd. Type "AB" S.M.S.
24	33044	1	Main Harness (Part of Complete Wire Harness Ass'y. PIN 101693-000)
25	50750	5	1/2" Conduit Wire Clamp
26	101127-001	1	Upper Hinge Stake Assembly
27	50099	3	5/16-18 x 3/4 Carriage Bolt
28	18-6148-000	5	5/16 Lock Washer Plt'd.
29	50066	3	5/16-18 Hex Nut Plt'd.
30	60-0018-001	1	Lower Hinge Stake Assembly

Item	Part No.	No. Req'd.	Description
31	50072	2	5/16-18 x 3/4 Hex Hd. Bolt
32	101137	1	Coin Box Weld Assembly
33	60366-XXX	1	Lock
35	9814-003	1	Front Control Panel
36	101266-000	1	Coin Mech. Bracket Assembly
37	50180	2	#8-18 x 1/2 Phil. Pan Hd. Tek
38	9998	1	Plate — Transformer Cover
39	9969-000	1	Coin Chute
40	101250	1	Relay Panel Final Assembly
42	20687	1	Model Label
43	20425	1	Patent Label
44	8692	1	Angle — Anti Pilferage — Upper
45	8693	1	Angle — Anti Pilferage — Lower
46	33-1309-000	2	#8 x 1/2 Phil. Truss Hd. Type "A" S.M.S.
47	33672	1	Rubber Grommet
48	60419	4	T-4 Capplug (Goes in extra Weld nuts for leg levelers) (Not Shown)
49	101547	1	Coin Box Housing Weld Assembly
50	100422	1	Power Cord Plate Assembly (Not Shown)
51	100808-001	1	Left Side Panel Weld Assembly
52	50371	1	1/4 x 14 x 3/4 Incl. Hex Washer Hd. Tek (Not Shown)
53	33527	2	Line Splice Connector for 1/4 Reop (Not Shown)

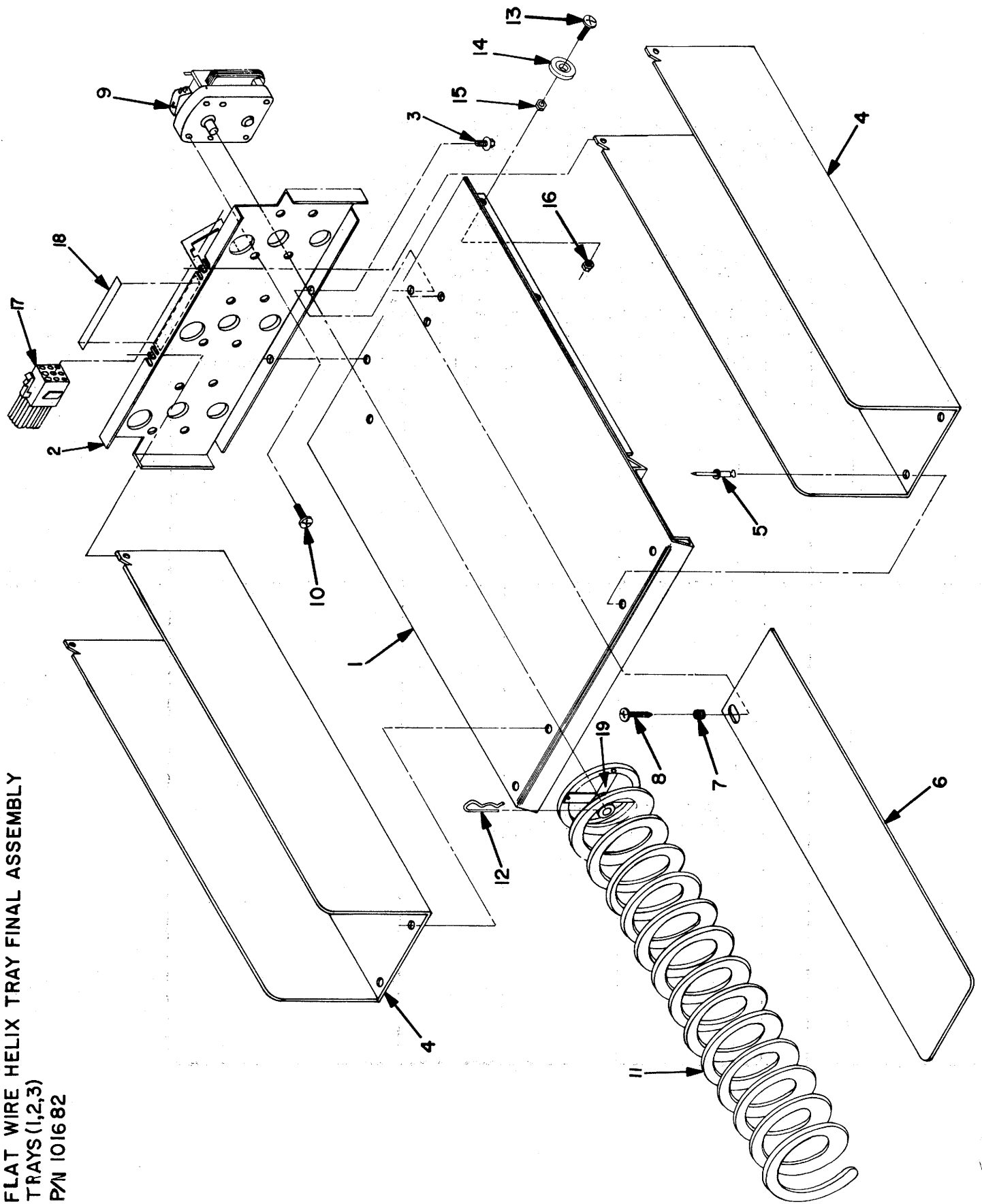
RELAY PANEL ASSEMBLY

P/N 101250

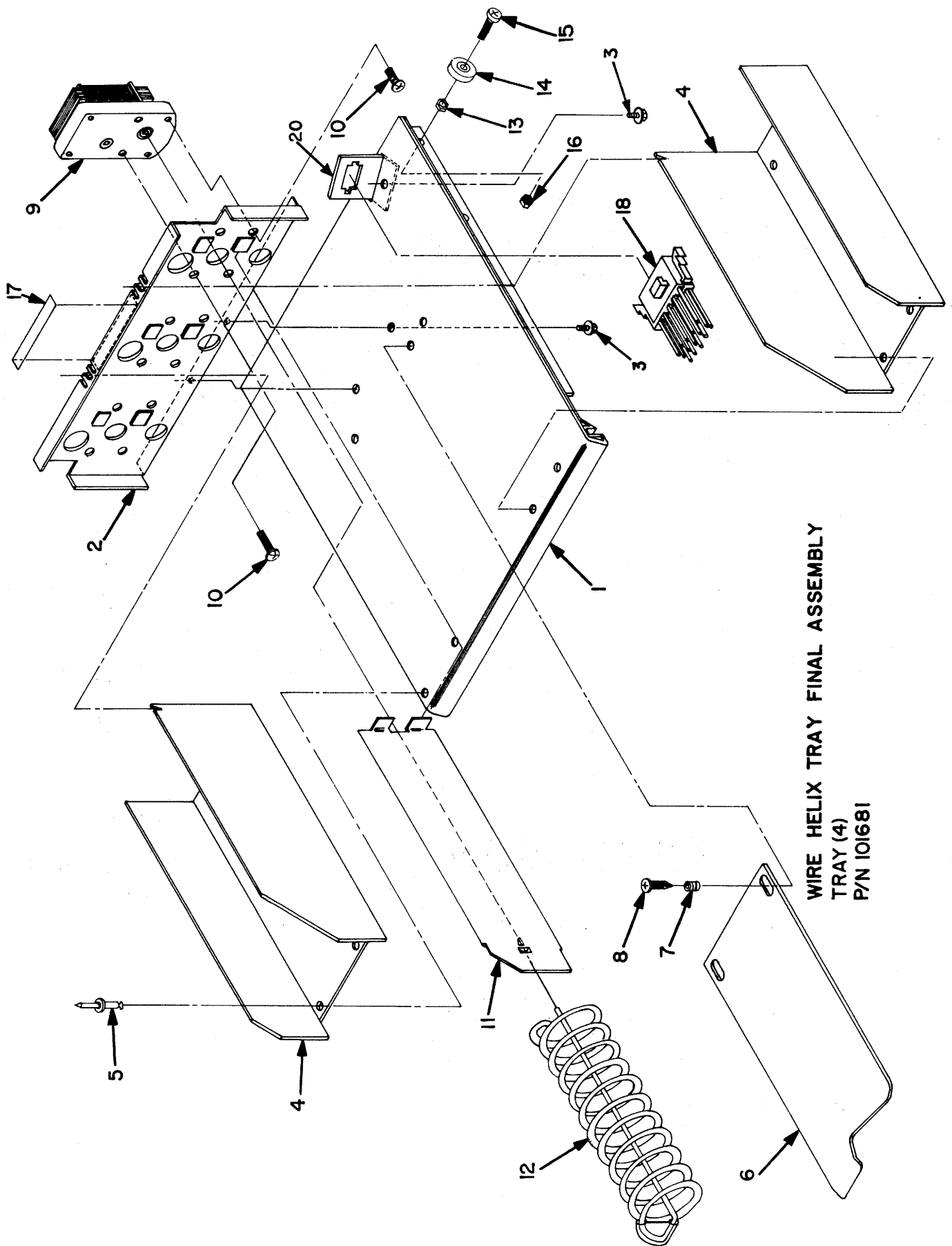


Item	Part No.	No. Req'd.	Description
1	9891-000	1	Relay Panel
2	9836	1	Jones Plug Brk't
3	50202	6	#8-18 x 1/2 Phil./Hex Washer Hd. Tek
4	33607	1	Female Plug (Coin Mech.)
5	50112	2	#6-32 x 1/4 Phil. Pan Hd. M.S.
6	50617	2	Washer
7	33071	1	3 Amp Circuit Breaker
8	60134	1	Plastic Wire Clamp
9	50247	1	#8-32 x 1/2 Phil. Pan Hd. M.S.
10	50513	1	#8-32 Twin Whiz Nut
11	20417	1	Electrical Decal (For 24 Volt Coin Mech. Only)
12	20487	1	Push To Reset Decal

FLAT WIRE HELIX TRAY FINAL ASSEMBLY
TRAYS (1,2,3)
P/N 101682



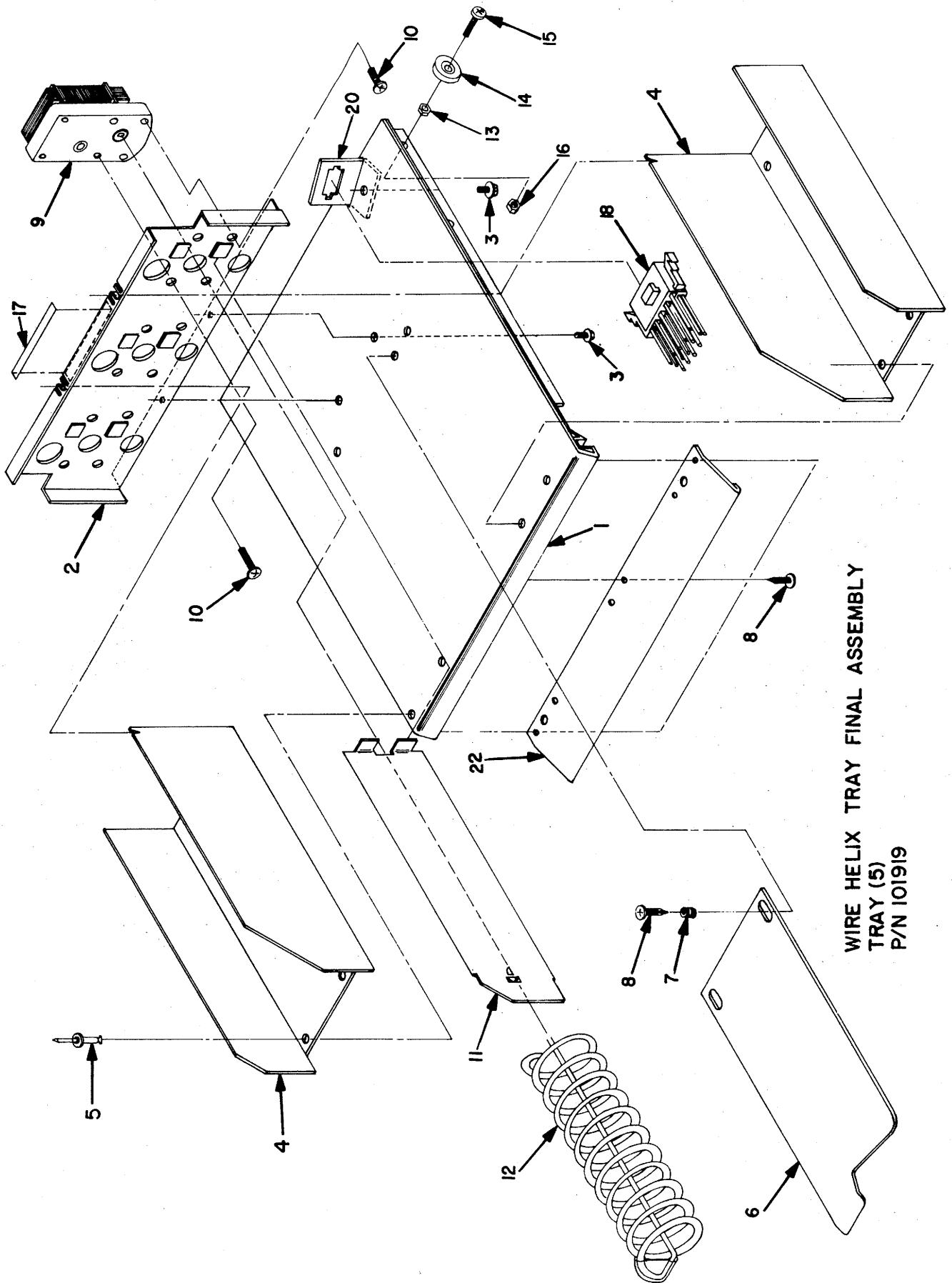
Item	Part No.	No. Req'd.	Description
1	101601	1	Flat Wire Helix Tray Weld Assy
2	101603	1	Flat Wire Helix Tray Back Weld Assy
3	50426	3	#10 x 1/4 Ind. Hex Hd. Phil. Type "B" S.M.S.
4	9914	2	Flat Wire Helix Tray Divider
5	50665	4	1/8 x 1/4 Pop Rivet
6	4263	3	Flat Wire Adjustable Shelf
7	33967	3	Grommet
8	50180	3	#8-18 x 1/2 Phil./Hex Washer Hd. Tek
9	33943	3	Flat Wire Helix Motor
10	50240	6	#8-32 x 3/8 Phil. Pan Hd. M.S.
11	60240	3	Flat Wire Helix
12	50773	3	Hitch Pin
13	50251	4	#8-32 x 5/8 Phil. Pan Hd. M.S.
Item	Part No.	No. Req'd.	Description
14	60172	4	Roller (Nylon)
15	50496	4	1/4-20 Unitorque Lock Nut
16	50494	4	#8-32 F/M Unitorque Nut
17	33042	1	Tray Harness (Part of Complete Wire Harness Assembly P/N 101693-000)
18	20582	1	Label—Motor
19	25596	3	Helix Adaptor
20	102313	1	Flat Wire Helix Tray Weld & Rivet Assy (Not Shown)
21	34114		Helix Motor Cycle Switch (Service Part Only) (Not Shown)
22	101935		3 1/4" Product Spacer Kit (Service Part Only) (Not Shown)



WIRE HELIX TRAY FINAL ASSEMBLY
TRAY (4)
P/N 101681

Item	Part No.	No. Req'd.	Description
1	101597	1	Wire Helix Tray Weld Ass'y
2	8043	1	Wire Helix Tray Back
3	50426	3	#10 x 1/4 Ind. Phil/Hex Washer Hd. Type "B" S.M.S.
4	9909-002	1R/1L	Round-Wire Helix Tray Divider Ends
5	50665	4	1/8 x 1/4 Pop Rivet
6	9883	3	Adjustable Shelf
7	33967	3	Rubber Grommet
8	50180	3	#8-18 x 1/2 Phil. Pan Hd. Tek's
9	34090	3	Helix Motor
10	50240	6	#8-32 x 3/8 Phil. Hd. M.S.
11	8040-001	3	Wire Helix Divider
12	60283	3	Wire Helix

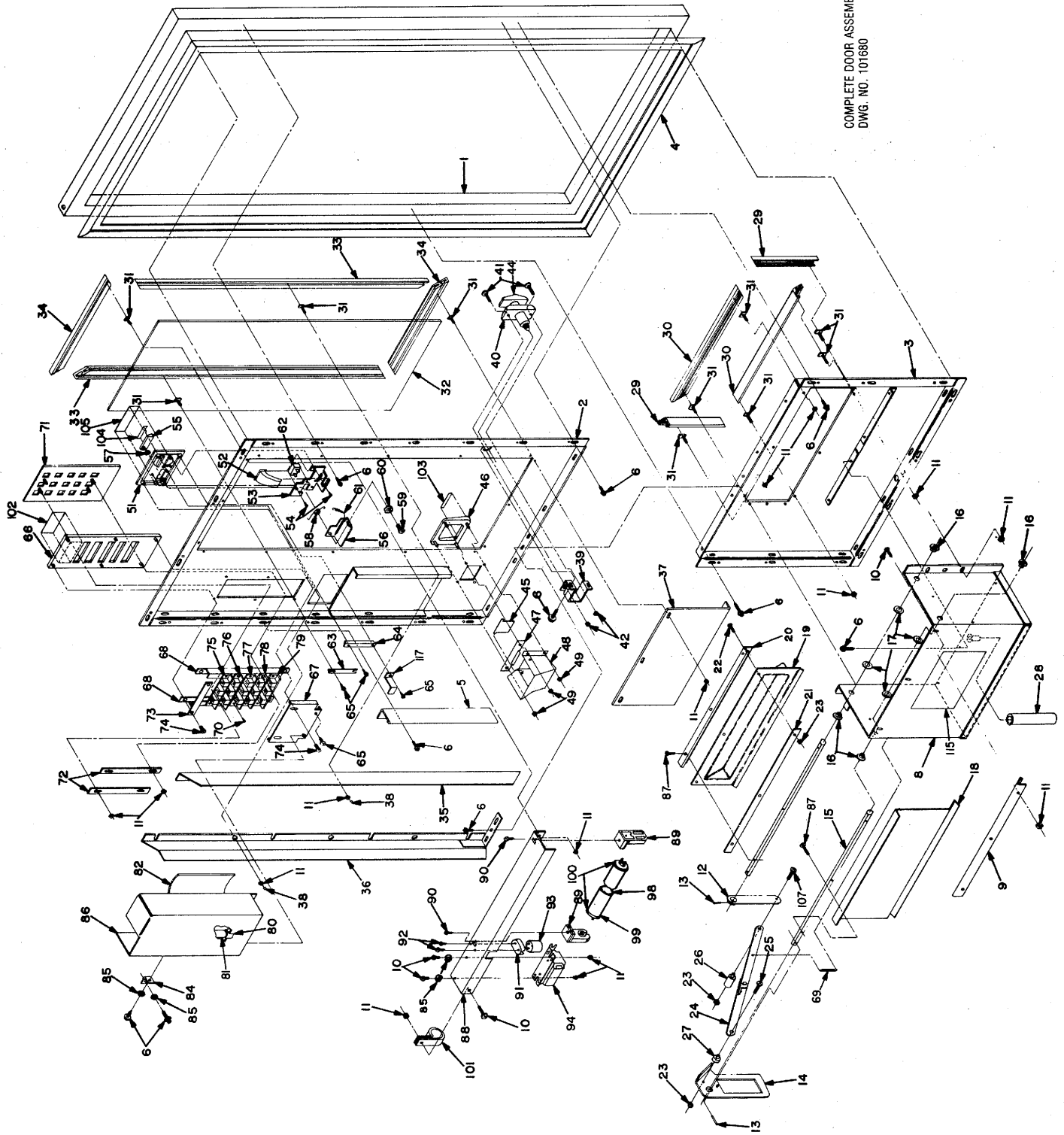
Item	Part No.	No. Req'd.	Description
13	50496	4	1/4-20 Unitorque Lock Nut
14	60172	4	Roller (Nylon)
15	50251	4	#8-32 x 5/8 Phil. Pan Hd. M.S.
16	50494	4	#8-32 F/M Unitorque Nut
17	20582	3	Motor Decal
18	33042	1	Tray Harness (Part of Complete Wire Harness Assembly P/N 101693-000)
19	102314	1	Wire Helix Tray Weld & Rivet Ass'y. (Not Shown)
20	9848-001	1	Plug Bracket
21	34114	1	Helix Motor Cycle Switch (Service Part Only) (Not Shown)



WIRE HELIX TRAY FINAL ASSEMBLY
 TRAY (5)
 P/N 101919

Item	Part No.	No. Req'd.	Description	Item	Part No.	No. Req'd.	Description
1	101597	1	Wire Helix Tray Weld Ass'y	14	60172	4	Roller (Nylon)
2	8043	1	Wire Helix Tray Back	15	50251	4	#8-32 x 5/8 Phil. Pan Hd. M.S.
3	50426	3	#10 x 1/4 Ind. Phil./Hex Washer Hd. Type "B" S.M.S.	16	50494	4	#8-32 F/M Unitorque Nut
4	9909-002	1R/1L	Round-Wire Helix Tray Divider Ends	17	20582	3	Motor Decal
5	50665	4	1/8 x 1/4 Pop Rivet	18	33042	1	Tray Harness (Part of Complete Wire Harness Assembly P/N 101693-000)
6	9883	3	Adjustable Shelf	19	102314	1	Wire Helix Tray Weld & Rivet (Not Shown)
7	33967	3	Rubber Grommet	20	9848-001	1	Plug Bracket
8	50180	3	#8-18 x 1/2 Phil. Pan Hd. Teks	21	34114		Helix Motor Cycle Switch (Service Part Only) (Not Shown)
9	34090	3	Helix Motor	22	8633	1	Tray Lip
10	50240	6	#8-32 x 3/8 Phil. Hd. M.S.	23	102028-001		Gum & Mint Kit to be used with the closed Switch Motor P/N 34090 (Service Part only) (Not Shown)
11	8040-001	3	Wire Helix Divider				
12	60283	3	Wire Helix				
13	50496	4	1/4-20 Unitorque Lock Nut				

COMPLETE DOOR ASSEMBLY
DWG. NO. 101680



Item	Part No.	No. Req'd.	Description
41	50338	2	#10-32 x 1/2 Fil. Hd. Phil. Cap Screw
42	50546	2	#10-32 Twin Whiz
43	50555	1	1/2" Retaining Ring (Not Shown)
44	60390-0 (State key Number)	1	Lock Cylinder With 2 Keys
45	20-0102-000	1	Coin Return Door
46	33-4281-000	1	Change Bezel
47	20-1422-000	1	Anti-Payout Tab
48	20-1649-000	1	Coin Return Cup
49	33-4982-000	4	#8-Sheet Metal Nut (Service Part Only)
50	101863	1	Complete Coin Insert Casting Ass'y (Not Shown)
51	60372	1	Coin Insert Casting
52	20-1748-004	1	Coin Intake Chute (Made From 20-1748-000)
53	8715	1	Retainer-Coin Chute & Change Light
54	20-0470-008	5	#6-32 x 3/16 Phil. Pan Hd. S.M.S. Self Tapping
55	33-4283-000	1	Coin Release Handle
56	33-4983-000	1	Coin Release Lever
57	10-0816-000	1	Coin Release Washer
58	09-1076-100	1	Torsin Spring
59	20-0469-020	1	1/4-28 x 1/2 Phil. Truss Hd. M.S.
60	20-0717-008	1	Lock Washer-Int./Ext. Tooth
61	21024	1	Spring
62	33912	1	Correct Change Light
63	8717	1	Coin Insert Casting Ret. Brk't-Right
64	8718	1	Coin Insert Casting Ret. Brk't-Left
65	50212	6	#8-32 x 1/4 Phil. Pan Hd. Type "23" S.T.S.
66	60300-001	1	Selector Panel
67	8719	1	Push Button Brk't
68	9856	2	Push Button Mounting Brk't
69	21066	1	Spring
70	50120	10	#6-32 x 5/16 Phil. Pan Hd. Type "23" Self Tapping
71	101671	1	Filler Plate Weld Ass'y
72	7967	2	Bar-Filler Plate Retainer
73	3997	1	Switch Spacer
74	50213	4	#8-32 x 1/4 Phil. Truss Hd. M.S.

Item	Part No.	No. Req'd.	Description
1	101116-003	1	Door Frame Weld Ass'y
2	102316	1	Vinyl Top Door Panel Ass'y
3	102317	1	Vinyl Bottom Door Panel Ass'y
4	60359	1	Door Gasket
5	6999*	1	Door Anti-Cheat Right
6	50202	42	#8-18 x 1/2 Phil./Hex Washer Hd. Tek
7	101717	1	Delivery Door Final Ass'y
8	101622	1	Delivery Weld Ass'y
9	8702	1	Angle Product Deflector
10	50240	6	#8-32 x 3/8 Phil. Pan Hd. M.S.
11	50513	37	#8-32 Twin Whiz Lock Nut
12	101688	1	Door Link Weld Ass'y
13	50725	2	1/8 x 3/4 Roll Pin
14	101694	1	Anti-Cheat Cam Ass'y
15	8698	2	Shaft-Delivery
16	25263	4	Type Snap-in-Nyliner
17	50612	4	Flat Washer
18	8701	1	Anti-Cheat
19	25611	1	Delivery Door
20	8699	1	Brk't-Delivery Door Hinge
21	8700	1	Brace-Delivery Door
22	50247	3	#8-32 x 1/2 Phil. Pan Hd. M.S.
23	50494	3	#8-32 FIM Unitorque Nut
24	101206	1L	Link Arm Final Ass'y
25	50251	1	#8-32 x 5/8 Phil. Pan Hd. M.S.
26	30079	1	Shoulder Spacer
27	30089	1	Bushing
28	25409	1	3/8 I.D. 1/16 Wall Mayon Tubing (8" Long)
29	22357-001	2	Delivery Trim (Sides)
30	22357-003	2	Delivery Trim (Top & Bottom)
31	50724	28	#8-32 x 3/8 T-Bolt
32	25261	1	Display Window
33	22370-002	2	Display Trim-Side
34	22370-005	2	Display Trim-Top & Bottom
35	9850-001	1	Anti-Theft Guard Left
36	101903-001	1	Anti-Theft Guard Weld Ass'y
37	8655-001	1	Door Defector
38	50548	13	#8-Nylon Screw Cover
39	9823	1	Locking Housing
40	60321	1	Pop Out 4255 Flush T-Handle

Item	Part No.	No. Req'd.	Description
102	20483-001	1	Operating Instruction Decal
103	33-4984-000	1	Decal — Change
104	33-4370-000	1	Decal — Coin Release Lever
105	20482	1	Coin Insert Label
107	50263	1	#8-32 x 7/8" Phil. Pan Hd. M.S.
108	20670	1	Safety Shield Kit
109	60130	1	Plastic Press Clip — 1/4" (Not Shown)
110	20423	1	Push Button No's (Service Part Only) (Not Shown)
111	34092		White Push Button (Service Part Only)
112	34093		(Not Shown)
115	20588	1	Clear Push Button Cover (Service Part Only) (Not Shown)
117	4281	1	Wiring Diagram
118	102051		Coin Chute Retainer
119	34115		Correct Change Harness Connector Assy (Not Shown)
121	33505	1	Light & Ballast Terminal (Not Shown)
122	33974	1	Closed Splice End Cap (Not Shown)
			Light Harness 110 Volt (Not Shown)

Item	Part No.	No. Req'd.	Description
75	33055	1	Push Button Harness W/Switch (1-3)
76	33056	1	Push Button Harness W/Switch (4-6)
77	33057	1	Push Button Harness W/Switch (7-9)
78	33058	1	Push Button Harness W/Switch (10-12)
79	33059	1	Push Button Harness W/Switch (13-15)
80	33965	1	Drake 4-397018 Lamp Holder for 6 1/2
81	33953	1	6 1/2 DC Bulb 20T 115V Selection Lamp
82	25563	1	Light Diffuser
83	25260	4	Plastic Tubing (Wire Shield)
84	4950	1	Pan Bk't
85	50585	1	#8 External Shakeproof Lock Washer
86	9818-002	1	Light Reflector Housing
87	50225	6	#8-32 x 3/8 Phil. Pan Hd. Taptite
88	8651	1	Light Reflector
89	33548	2	Lamp Holder
90	50112	2	#6-32 x 1/4 Phil. Pan Hd. M.S.
91	33617	1	Starter Socket
92	50018	2	#4-40 x 3/8 Phil. Pan Hd. M.S.
93	33567	1	FS-2 Starter
94	33609	1	Ballast Lamp Robertson SP2
95	34185	1	Light Wire — White
96	34186	1	Light Wire — Black
97	33527	4	Line Splice Connector
98	33668	1	F14T8 Lamp
99	25262	1	Plastic Safety Tube
100	33713-002	2	Safety Tube End Caps
101	60134	1	Plastic Wire Clamp 1"



