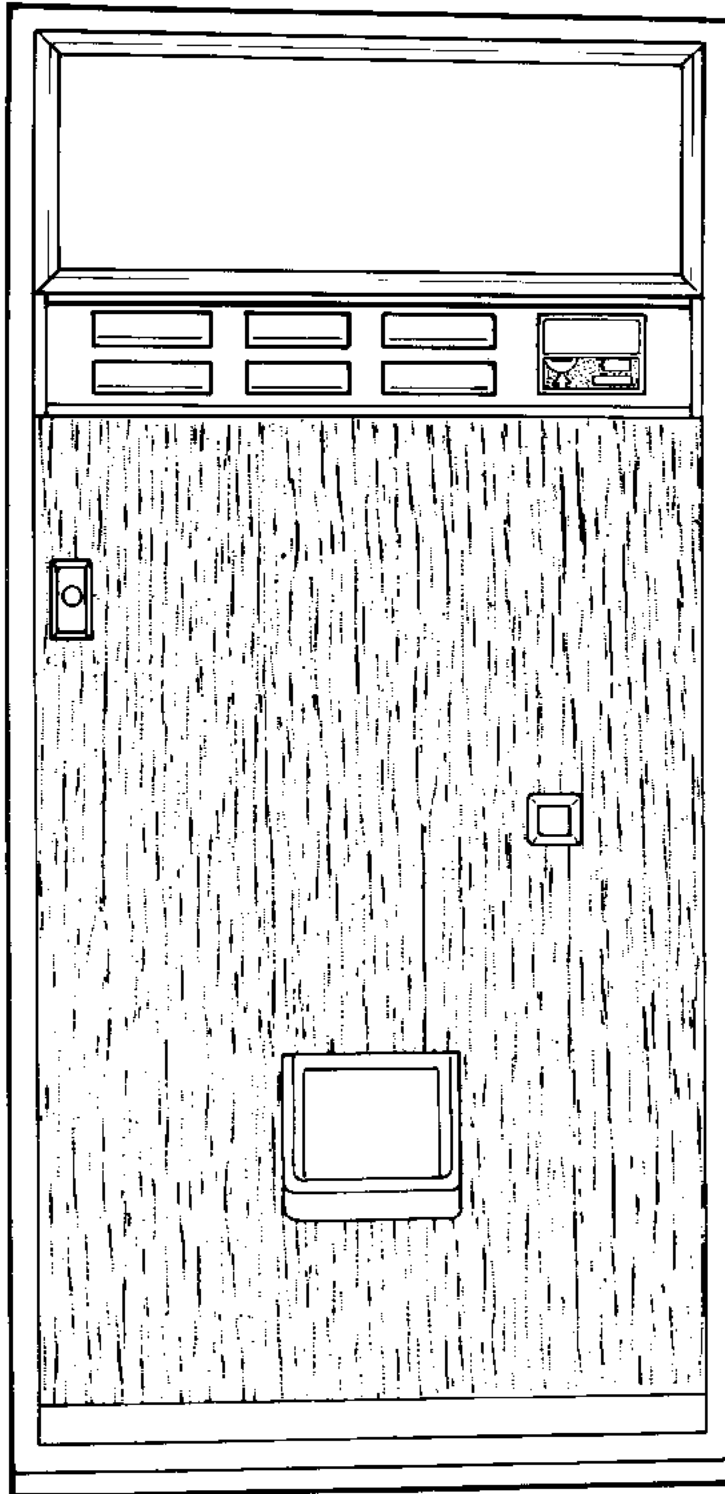


CJ6 & CSCJ6



Service & Parts Manual

602485

Table of Contents

Introduction	3
Specification	3
Installation Instructions	4
Price Setting	5
Price Setting Instructions	
Coinco Single Price 5¢ - \$1.50	6
Coinco Four Price 5¢ - \$3.15	7
Mars Four Price 5¢ - \$3.15	8
Price Labels	9
Loading Instructions	9
Selection Jumper	9
Installation Check List	10
Cold Control Setting	10
Trouble Shooting	
Basic Vendor	11,12
Refrigeration System	12,13,14,15
Wiring Diagram	16
Care and Cleaning	17
Parts List	
Unit Final Assembly	18
Unit Final Assembly Parts List	19
Complete Cabinet Assembly	20
Complete Cabinet Assembly Parts List	21
Refrigeration Assembly	22
Refrigeration Assembly Parts List	23
Ejector Mechanism Assembly	24
Ejector Mechanism Assembly Parts List	25
Complete Can Rack Assembly	26
Complete Can Rack Assembly Parts List	27
Inner Door Assembly	28
Inner Door Assembly Parts List	29
Control Box Assembly	30
Control Box Assembly Parts List	31
Light Assembly	32
Light Assembly Parts List	32
Selector Button Assembly	33
Selector Button Assembly Parts Lists	33
Dashboard Assembly	34
Dashboard Assembly Parts List	35
Outer Door Assembly	36
Outer Door Assembly Parts List	37

INTRODUCTION:

This Service and Parts Manual contains information on the Can Juice (6) Six Selection Vendor, which has the capability of using either a single price or a four price coin mechanism. The vendor has the open front dispensing unit for easy visual account of inventory.

SPECIFICATIONS:

DIMENSIONS:

68" High
33" Wide
31½" Deep

ELECTRICAL:

115 Volts
60 Hertz
10.5 Amps

WEIGHT:

490 Pounds

SELECTIONS:

Six (6)

CAPACITY:

300 — 6 ounce cans

WILL NOT EXCEPT 5½ OZ. CANS

REFRIGERATION:

1/3 H.P. Closed System; with Selectivend 60-Month Warranty.

COINAGE:

Single Price Changer:

Accepts nickels, dimes and quarters. Selection of ONE vend price, 5¢ through \$1.55 adjustable in 5¢ increments. Change payback is in 5¢ increments as long as adequate change is available in change tubes.

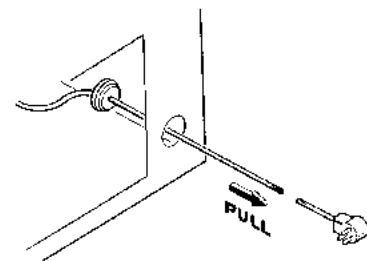
Four Price Changer:

Accepts nickels, dimes and quarters. Selection of FOUR vend prices, 5¢ increments. Change payback is in 5¢ increments as long as adequate change is available in change tubes; tube escrow until selection.

INSTALLATION INSTRUCTIONS:

1. Remove all packing material in a manner not to damage the finish or exterior of that Vendor. To unlock the door, the key will be found taped inside the Coin Return Cup. Remove all shipping brackets, inner packing material, and tape from that Vendor. To try to operate the Vendor without removing the tape from the moving parts may result in damage.
2. Record the Model Number and Serial Number of the Vendor and refer to these numbers on all inquiries and correspondence pertaining to that Vendor.
3. This Vendor was thoroughly inspected before leaving the Factory, and the Carrier has accepted this Vendor as their responsibility. Any damages or irregularities should be noted at the time of delivery and immediately reported to the Delivering Carrier. Request a written Inspection Report from the Claims Inspector to file any freight claims for damage. File claim with CARRIER . . . NOT with MANUFACTURER.

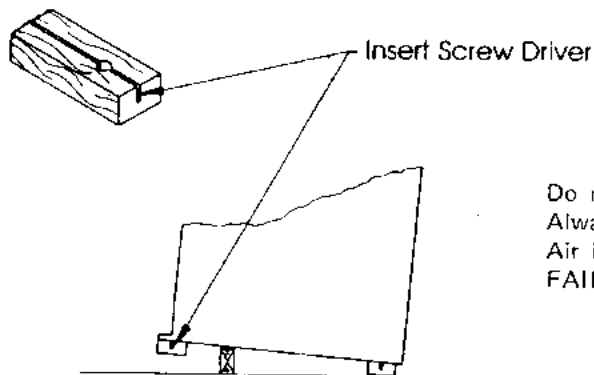
4. To insure safe operation of an electrically equipped vendor, the vendor must be grounded. To verify that the receptacle is properly grounded, connect one probe of a test light to the screw holding the receptacle cover. Insert the other probe into the opening of each outlet. If the test light does not light when placed in either side of the receptacle, the receptacle is not grounded. To provide a proper ground use an adapter which has a ground wire attached. The wire should be attached or connected to a ground such as a water pipe. If the receptacle is grounded, but is not the three-prong type, an adapter may be used. Attach the wire to a ground or the receptacle cover securing screw. Receptacles with three (3) female openings: to verify that the receptacle is properly grounded and polarized, insert one probe of a voltmeter (set to check AC line voltage) or a test light, in the ground terminal position (hole) of the three position receptacle; insert the other probe (of voltmeter or test light) in the L.H. slot (if ground "hole" is up) or the R.H. slot (if ground "hole" is down). You should read 115 VAC on the voltmeter, or the test light should light.



If you find that the above is not the result, you should contact a licensed electrician to correctly polarize and/or ground the receptacle to insure safe operation.

Consult local, state and federal codes for compliance before installation of the vendor.

5. The vendor requires a 115-volt/60-cycle, 20 amp electrical power source. As the Vendor is plugged in, the following things should happen:
 - a. The Display Light should come on.
 - b. The Correct Change Circuit should be activated,
 - c. The SOLD-OUT or EMPTY lights should come on.
 - d. The C.R.E.M. Circuit of the Changer should be activated to allow acceptance of coins.
 - e. Evaporator Motor and Refrigeration should run.
6. Remove knock-a-way support, by inserting screwdriver and splitting the knock-a-way into. Turn the Leveling Screws in as far as possible. Position the Vendor in its' place of operation. **LEAVE AT LEAST (4) INCHES OF SPACE BEHIND THE VENDOR FOR PROPER AIR CIRCULATION.** Level the Vendor, making sure all levelers are touching the floor. The Vendor **MUST** be level for proper operation and acceptance of coins through the Coin Mechanism. If the Vendor is properly leveled, it should not rock or teeter on any of the Levelers.



WARNING

Do not block the Ventilating Louvers in front or in rear of the Vendor. Always allow free ventilation behind a Bank Installation, so that Exhaust Air is not trapped. Failure to do so could result in REFRIGERATION FAILURE.

PRICE SETTING:

Any 110-volt, Single Price or Four Price Coin Mechanism can be used, depending on which way the Coinage Selection Switch is set.

Position the Coinage Selection Switch on that Control Box at the selection which agrees with the changer being used.

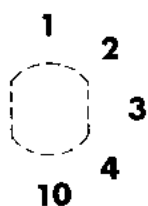
With a Single-Price Changer, the Coinage Selection Switch should be in the Single-Price Position. All selections will now vend at the same price.

With a Four-Price Changer, the Coinage Selection Switch should be in the Four-Price Position. Now you are able to sell products at four different prices, if so desired. The selections are zoned or priced as follows:

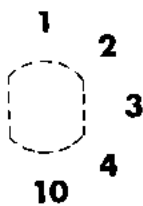
- Selection 1: No. 1 Price or Zone
- Selection 2: No. 2 Price or Zone
- Selection 3: No. 3 Price or Zone
- Selection 4: No. 4 Price or Zone
- Selection 5: Any one of the Prices or Zones
- Selection 6: Any one of the Prices or Zones

PRICE SWITCHES

SEL. 5



SEL. 6



Selections 5 and 6 are controlled through the (2) Rotary Switches on the Control Box. The Rotary Switches are labeled as illustrated.

Even with a Four-Price Changer you can set all the prices or zones the same and thereby have a Single-Price Vendor.

PRICE-SETTING INSTRUCTIONS

COINAGE TYPE: Coinco 5¢-\$1.50 single price changer.

1. Unplug coin mechanism from machine.
2. Remove coin acceptor from coin mechanism. (See Fig. A.)
3. Removing the coin acceptor reveals a switch module with five miniature rocker switches numbered 1 through 5. Each one of the switches corresponds to a given price as follows: No. 1 = 5¢, No. 2 = 10¢, No. 3 = 20¢, No. 4 = 40¢, No. 5 = 80¢. To set the vend price, add the value of the rocker switches in the ON position. Example: switches No. 1 and No. 2 are in the ON position; since No. 1 = 5¢ and No. 2 = 10¢ the vend price is set at 15¢. (See Fig. B.)
4. To set the change tubes to either accept or reject quarters when change tubes are empty, remove the back coverplate and check the position of the white wire on the change tube empty switch. To accept quarters the white wire should be on the piggyback terminal on the common terminal. To reject quarters the white wire should be on the normally open terminal. (See Fig. C.)

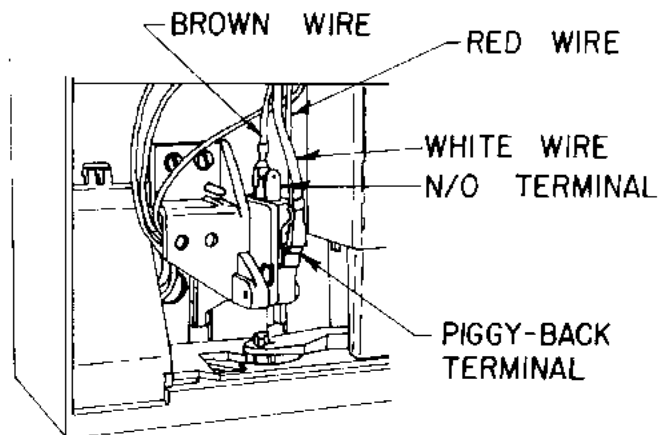
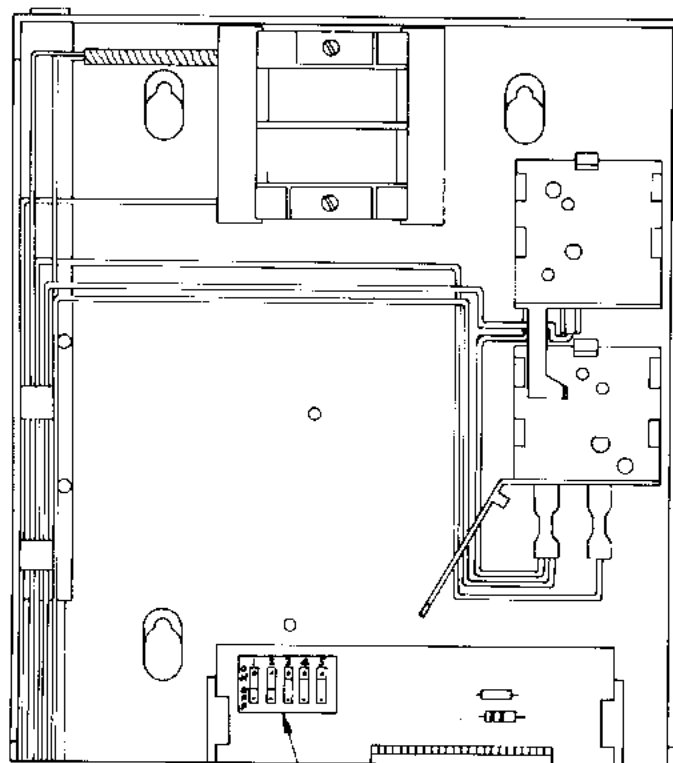
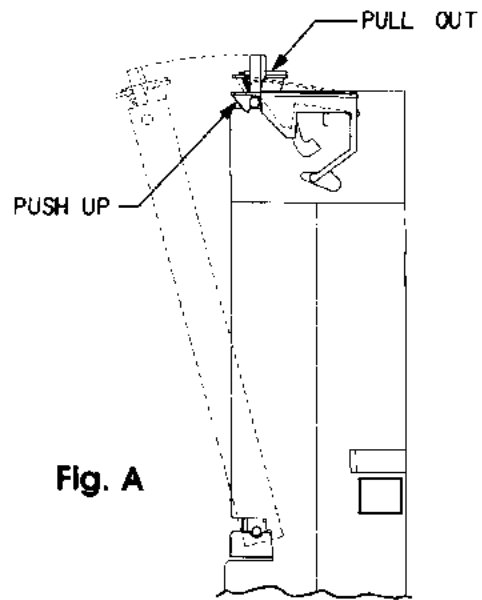


Fig. B

SWITCH MODULE

Fig. C

PRICE-SETTING INSTRUCTIONS

COINAGE TYPE: Coinco 5¢ - \$3.15 Four-Price Changer.

1. With power on, remove the Acceptor (see Fig. A); and place in an area free of dirt.
2. The Price Switch Module has six miniature rocker switches, numbered (1) thru (6) make sure they are all in the off position. These switches correspond to prices as follows:
1=5¢, 2=10¢, 3=20¢, 4=40¢, 5=80¢, & 6=\$1.60.
Set the Vend Price by adding the value of the rocker switches that are in the on position. For example switches # 1 and # 3 are on that equals 25¢.
3. After setting the desired Vend Price on the Price Switch Module momentarily depress the Price Arming Switch, then within 10 seconds press one of the selection buttons on the front of the machine.

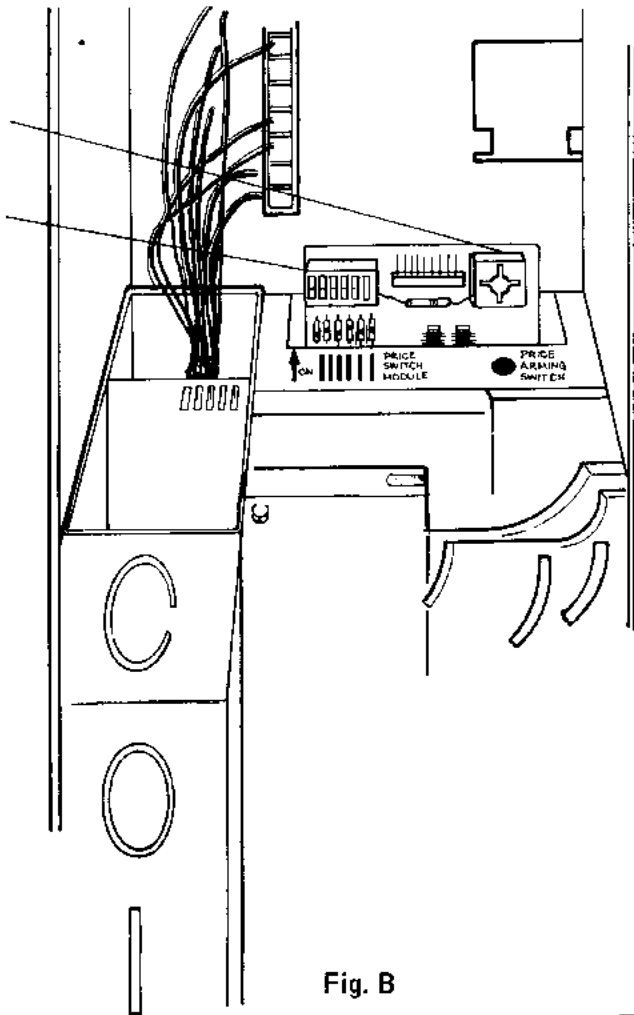


Fig. B

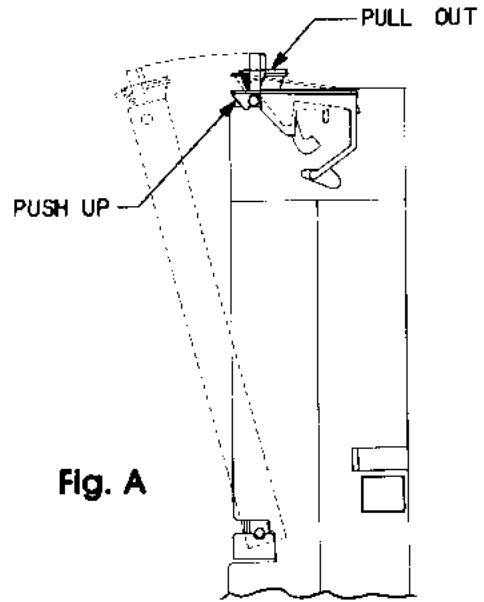


Fig. A

The price is now set for all selections on that Price Zone to the preset price on the Price Switch Module. Repeat this step for all (4) Price Zones during initial installation. For the Price Zone (s) that need changing after initial installation repeat this step.

4. When the Price Arming Switch is pressed the Coin Changer will go into a temporary price changing mode. During this cycle, which lasts approximately 10 seconds, the C.R.E.M's will de-energize and vending is possible at this time.
5. After setting all prices, replace the acceptor and test with a variety of coins to insure proper price setting. Product has to be in the selection that you use to set price with. The price will not take if you use a sold out selection to set price.

MARS \$6.35 COIN MECHANISM

1. Unplug Coin Mechanism.
2. Lower Acceptor Assembly by depressing both spring clips. Now rotate Acceptor forward and down. (Fig. 1)
3. The Price Switch Module has seven miniature slide switches numbered one (1) thru seven (7). Make sure they are all in the off position (down). These switches correspond to prices as follows:
1=5¢, 2=10¢, 3=20¢, 4=40¢, 5=80¢, 6=\$1.60, 7=\$3.20. Set the value of the selection by adding the value of the slide switches in the on position (up). Example: Switches one (1) and three (3) are on = 25¢. To move switches use a retracted ball point pen or a small screw driver. **DO NOT USE A GRAPHITE PENCIL POINT.**
4. Set Coin Control Switches on Acceptor using a retracted ball point pen or small screwdriver. **DO NOT USE A GRAPHITE PENCIL POINT.**

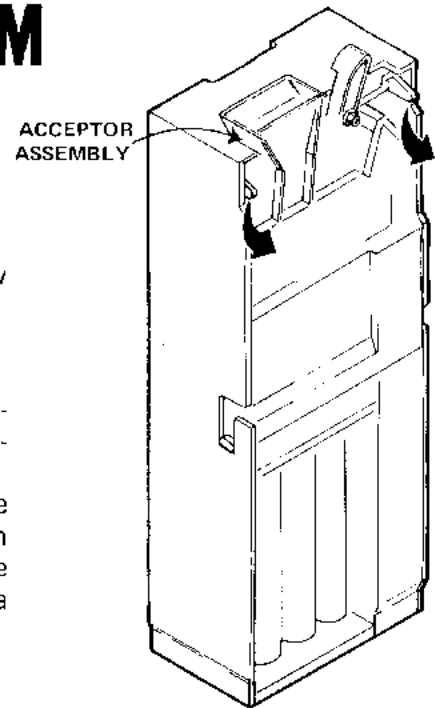
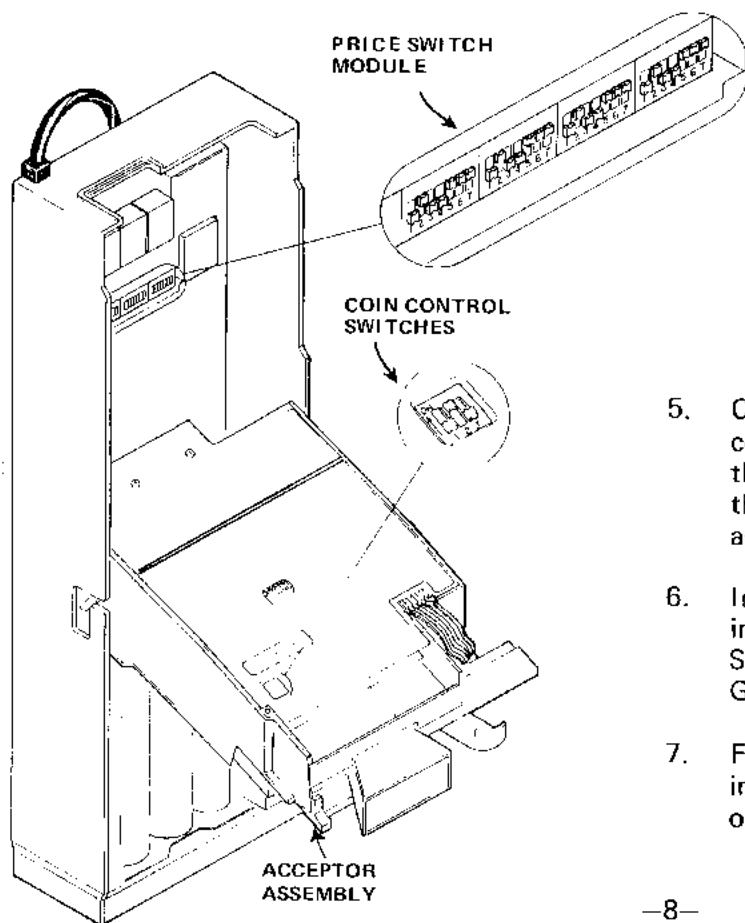


FIG. 1



- CAN/U.S. — Accepts Canadian & U.S. Coins
- U.S. ONLY — Accepts U.S. Coins Only
- HI 25¢ — Stores 66 Quarters for Change
- LO 25¢ — Stores 6 Quarters for Change
- NO \$ ACPT — Rejects Dollar Coin
- \$ ACPT — Accepts Dollar Coin

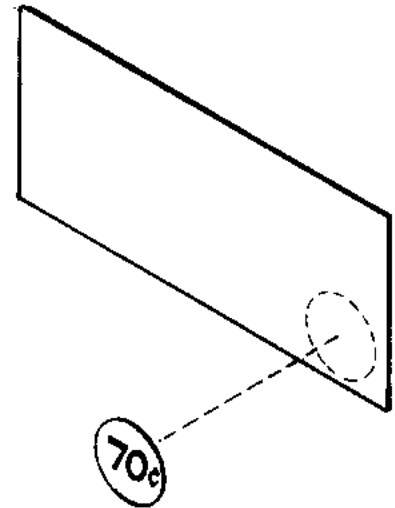
5. Connect power plug. Position or clamp clear of coin cup and coin return lever. Check to see that the blocker light is illuminated indicating that the vendor C.R.E.M. circuit (Line 4) is completed and the change is ready to accept coins.
6. Install Acceptor Assembly in coin changer housing. Check to insure ACCEPTOR IS PROPERLY SEATED WITH BOTH SPRING CLIPS ENGAGED.
7. Fill coin tubes to desired levels by inserting coins into coin tube loading slots located on the front of the coin tubes. Minimum coin levels.
 - 6 Nickels
 - 7 Dimes
 - 6 Quarters (required for dollar acceptance)

PRICE LABELS:

With Single Price Coin Mechanism the Price Label will be part of the Coin Insert Label.

With Four-Price Coin Mechanism the Price Label must be applied to Selection Label as shown.

If the Four-Price Coin Mechanism is set to vend at one price only, then you could use the Coin Insert Label that has the price printed on it just like for the Single Price Coin Mechanism.



LOADING INSTRUCTIONS:

The selections are numbered from left to right when facing vendor. Each selection will hold approximately 50 cans. The selection switches are numbered on back of the Dashboard.

IMPORTANT

After loading, make sure that the products in each selection correspond to the Selection Label. Also make sure that the Vend Prices for each selection are correct.

SELECTION JUMPER:

Any Selection or Vend Mechanism may be by-passed, disconnected or removed from the Vendor with the use of a Jumper Plug. The Vendor will continue to work on all Selections, except for that Selection on which the Jumper Plug is used. The Jumper Plug is inserted in place of the plug of the Selection Harness. With the Jumper Plug in use, the SOLD OUT Light will come on when that Selection Button is pressed.

INSTALLATION CHECK LIST:

Make certain the following steps have been taken or that these conditions exist before starting the Can Vendor.

1. All shipping brackets, packing material and tape have been removed.
2. Vendor is properly located for access to power source outlet and Vendor is level.
3. All components are installed on Vendor and are in good condition.
4. Service Cord plug-in receptacle is grounded, or ground adapter has been installed.
5. Coin Mechanism adjustments have been made, if necessary, and Vend Prices are properly set.
6. Vendor has been properly loaded and the flavors in each selection correspond to the Vend Price and the Selection Label in that push button.

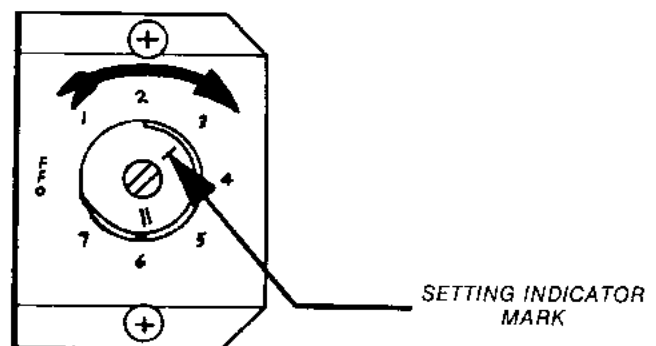
WARNING

This Vendor is equipped with a 5-amp circuit breaker to protect the Vending Circuit only. The Refrigeration System is not on this Circuit Breaker. Refer to Wiring Diagram for the position of this Circuit Breaker.

COLD CONTROL SETTING:

These recommended Cold Control Settings are based on an average temperature, outside the Cabinet, to supply maximum cooling for inside products.

COLD CONTROL SETTING	AVERAGE ROOM TEMPERATURE
1	
2	80°F to 110°F
3	65°F to 85°F.
4	
5	
6	



TROUBLE SHOOTING:

BASIC VENDOR:

- I. **VENDOR REJECTS ALL COINS – DISPLAY LAMP OFF.**
 - A. Vendor unplugged – plug in Vendor.
 - B. Fuse or Circuit Breaker tripped in Supply (building) Outlet – replace fuse, or reset Circuit Breaker.
 - C. Damaged or defective Power Cord – repair or replace Service Harness on Refrigeration System
 - D. Green, White and Yellow wires unplugged at Refrigeration System – plug wires in.
 - E. Door Harness unplugged at Cabinet – make sure the plugs are securely locked together.
 - F. Circuit Breaker in Vendor tripped or defective – reset or replace Circuit Breaker.

- II. **VENDOR REJECTS ALL COINS – DISPLAY LAMP ON.**
 - A. Vend Mechanism is not in Home Position – return Vend Mechanism to Home Position.
 - B. Loose or broken wire on Vend Mechanism – fix wire or replace Harness.
 - C. Defective Coin Mechanism - repair or replace Coin Mechanism.
 - D. Vendor is not level – level Vendor.
 - E. Coin Acceptor dirty – clean Coin Acceptor.
 - F. Loose or broken wire to Normal Open Terminal on Full Stroke Switch – repair or replace.

- III. **VENDOR ACCEPTS COINS, BUT DOES NOT VEND ANY SELECTIONS.**
 - A. Selector Button stuck, causing electronic shut-down of Coin Mechanism – correct or replace Selector Button or Switch. *(for F-150 only)*
 - B. Vend prices set wrong (all too high) – set Vend prices correctly.
 - C. Door Plug(s) not completely engaged – make sure plug(s) are locked together.
 - D. Defective Coin Mechanism – repair or replace.
 - E. Selection Relay defective – replace.

- IV. **VENDOR ACCEPTS COINS, BUT DOES NOT VEND ON ONE OR MORE SELECTIONS.**
 - A. Vend Price set incorrectly – set Vend Price correctly.
 - B. Selection SOLD-OUT – load Selection.
 - C. SOLD-OUT Switch out of adjustment, unplugged, or defective – correct the adjustment, plug in the switch, or replace it.
 - D. Selection Switch out of adjustment or defective –readjust switch, or replace.
 - E. Loose or Broken Selection Wire – repair or replace.
 - F. Defective Coin Mechanism – repair or replace.
 - G. Price Switch turned off-Reactivate. (For Selection # 5 and # 6 only)

- V. **VENDOR VENDS PROPERLY, BUT PAYS BACK WRONG, OR NO CHANGE.**
 - A. Vend Price set incorrectly – set price correctly.
 - B. Changer out of Change – fill Change Tubes.
 - C. Defective Coin Mechanism – repair or replace.

- VI. **PRODUCT DOES NOT MATCH SELECTION PUSHED.**
 - A. Product loaded wrong – load product correctly.
 - B. Vend Mechanism plugs crossed – make sure Vend Mechanisms are plugged in correctly.
 - C. Selection Switch stuck ON – make sure Selection Button moves freely.

- VII. **VENDOR FREE VENDS.**
 - A. Defective Coin Mechanism – repair or replace.
 - B. Full-stroke Switch out of adjustment, or defective – readjust switch or replace.
 - C. Can Jump Guard not adjusted properly – adjust Can Jump Guard correctly.

- VIII. **VENDOR VENDS TWO OR MORE CANS WITH ONE SELECTION.**
 - A. Solenoid does not make complete stroke – replace or adjust Solenoid.
 - B. Can Jump Guard not adjusted properly – readjust.

REFRIGERATION SYSTEM:

Know and understand service units, and how they operate. Units may vary, but the operation is basically the same.

Never guess at the problem; solve it by reading the symptoms.

- I. **COMPRESSOR WILL NOT START.**
 - A. Voltage (check to see if compressor has power).
 - 1. Tripped breaker or blown fuse.
 - 2. Wall outlet faulty.
 - 3. Short or tear in Power Cord.
 - 4. Faulty Cold Control.
 - a. Unplug power supply, remove screws from thermostat. Use a jumper wire, or place screw through terminals; then restore power and check to see if the unit runs.
 - 5. Check for improper wiring.

- II. **COMPRESSOR TRIPS ON OVERLOAD.**
 - A. Improper Voltage (117 A.C. normal).
 - 5-10% above, 5% below.
 - B. Overload defective.
 - See VIII, 2.
 - C. Relay defective.
 - See VIII, 3.
 - D. Compressor defective.
 - See VIII, 4
 - E. Start capacitor defective.
 - See VIII, 5.
 - F. Short in other Component.
 - Isolate and eliminate each electrical component until short is found.

- G. Compressor is too hot.
 - 1. Dirty Condenser.
 - 2. Faulty Condenser motor or blade.
 - 3. Restricted air flow.

III. **NOISY OR VIBRATING UNIT:**

- A. Components rubbing or touching each other.
 - 1. Check fan blades and motors.
 - 2. Loose shrouds and harness.
 - 3. Copper tubing.
 - 4. Loose or unsecured parts.
- B. Grommets.
 - 1. Worn, aged.
- C. Compressor.
 - 1. Bad valves.
 - 2. Slugging.
 - 3. Bad windings. *(see index)*
- D. Relay.
 - 1. Frozen in start position. *(see index)*
- E. Low voltage.

IV. **UNIT SHORT CYCLES.**

- A. Cold Control.
 - 1. Differential set too close.
 - 2. Probe in wrong area (i.e. Touching evaporator).

V. **UNIT OPERATES LONG OR CONTINUOUSLY.**

- A. Thermostat faulty.
- B. Air flow restricted.
 - 1. Faulty evaporator motor or blades.
Evaporator coil iced.
 - 2. Air flow blocked by cans placed in front of evaporator.
- C. Gasket leak.
- D. Excessive load.
 - 1. After loading, units run longer to pull out excessive from product.
- E. Shortage of refrigerant or restriction.

VI. **REFRIGERATED SPACE TOO WARM.**

- A. Restricted evaporator air space.
 - 1. Evaporator motor or blades bad.
Evaporator will usually be iced over insulating evaporator.
 - 2. Condenser air flow restricted.
 - a. Plugged or dirty Condenser.
 - b. Condenser motor or blade bad.
 - c. Blade stuck.

3. Condensing space restricted.
A unit placed too close to a wall.
4. Compressor - Bad valves.
5. Leak or restriction.
 - a. Cap tube will start frosting 8 to 10 inches past evaporator connection tube.
 - b. Check for oil around brazed connections.
6. Thermostat improperly set.

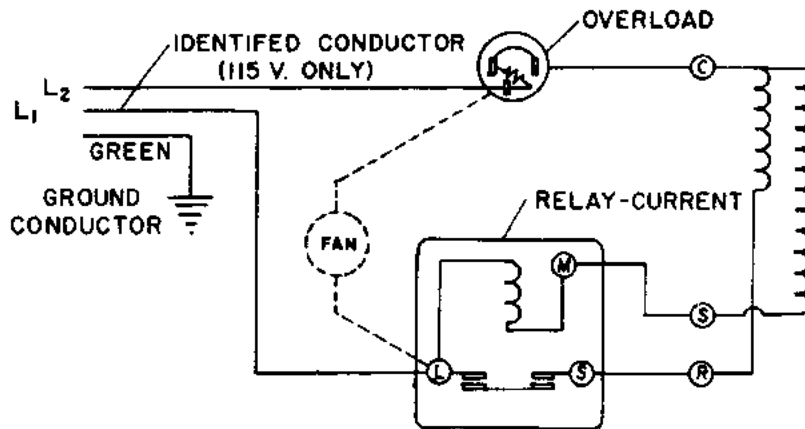
VII. **90% OF ALL REFRIGERATION PROBLEMS ARE ELECTRICAL – START THERE!**

1. Rules for breaking into a sealed hermetic system;
 - A. *DON'T!* If this system was meant to be worked on outside the Factory Service Center, service valves would have been installed.
 - B. The four things that can go wrong with a sealed system and should be repaired at the Factory Service Center are:
 1. *Low Charge.* Low charges are caused usually by leaks; look for oil around seals and welds. Unit will not seal properly.
 2. *Restriction in System (Unit frosts, then melts).* Not cooling properly, low side in vacuum.
 3. *Bad Valves.* Unit does not cool properly; noisy compressor; high, low side – low, high side.
 4. *Oil Breakdown.* When this happens, it's ready to change compressors.
 - C. **REMEMBER. DO NOT** break into a sealed system for any reason. Send the unit to the Factory Service Center.

VIII. **TROUBLE SHOOTING UNIT CIRCUITS USING OHM-VOLT METER.**

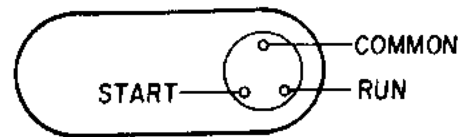
1. Using volt meter, check power source.
2. Check overload. (*Note: Power must be off and fan circuit open*).
 - A. Using Ohm meter terminals 1 & 3 for continuity. If no continuity, overload may be tripped. Wait 10 minutes and try again. If still no continuity, overload is defective; replace.
3. Checking Relay: See Attachment No. 1.
 - A. Pull lead terminals or relay off the compressor, depending upon which type of relay is used. (*Note: Keep relay upright.*)
 - B. Check terminals 1 & S, or L & S. Replace relay if there is continuity.
 - C. Check terminals 1 & M, or L & M. Replace relay if there is no continuity.
4. Checking Compressor: See Attachment No. 2.
5. Checking Capacitor:
 - A. Put screwdriver across terminals of capacitor and observe spark.
 - B. Check relay terminals 1 & L with meter on R x 1 scale, if it has continuity, replace.

MODEL 0005, 2165, 2407



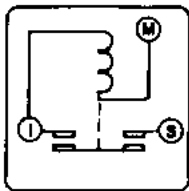
MODEL 0005,

NO CAPACITOR
 Approximate Resistance
 Reading Across Terminals
USE RX1 SCALE
 COMMON - Start 12 Ohms
 COMMON - Run 2 Ohms
 RUN - Start 14 Ohms
 COMMON - Shell No
 Continuity



SCHEMATIC WIRING DIAGRAM - RSIR

1. When fan is used hookup as shown
2. Identified conductor maybe white or ribbed. (115 V. ONLY)
3. Assemble parts as shown if specified on Bill of Material.



ALTERNATE NUMBERING

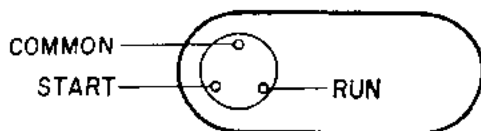
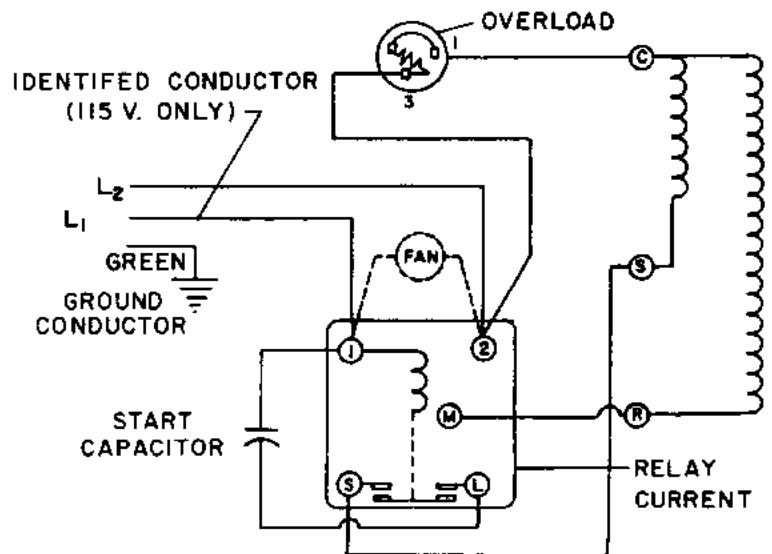
WARNING

WIRING DIAGRAM MUST BE FOLLOWED AS SHOWN ANY MISWIRING CAN CAUSE SERIOUS ELECTRICAL HAZARD AND POTENTIAL DAMAGE OR RUPTURE COMPONENT ELECTRICAL PARTS.

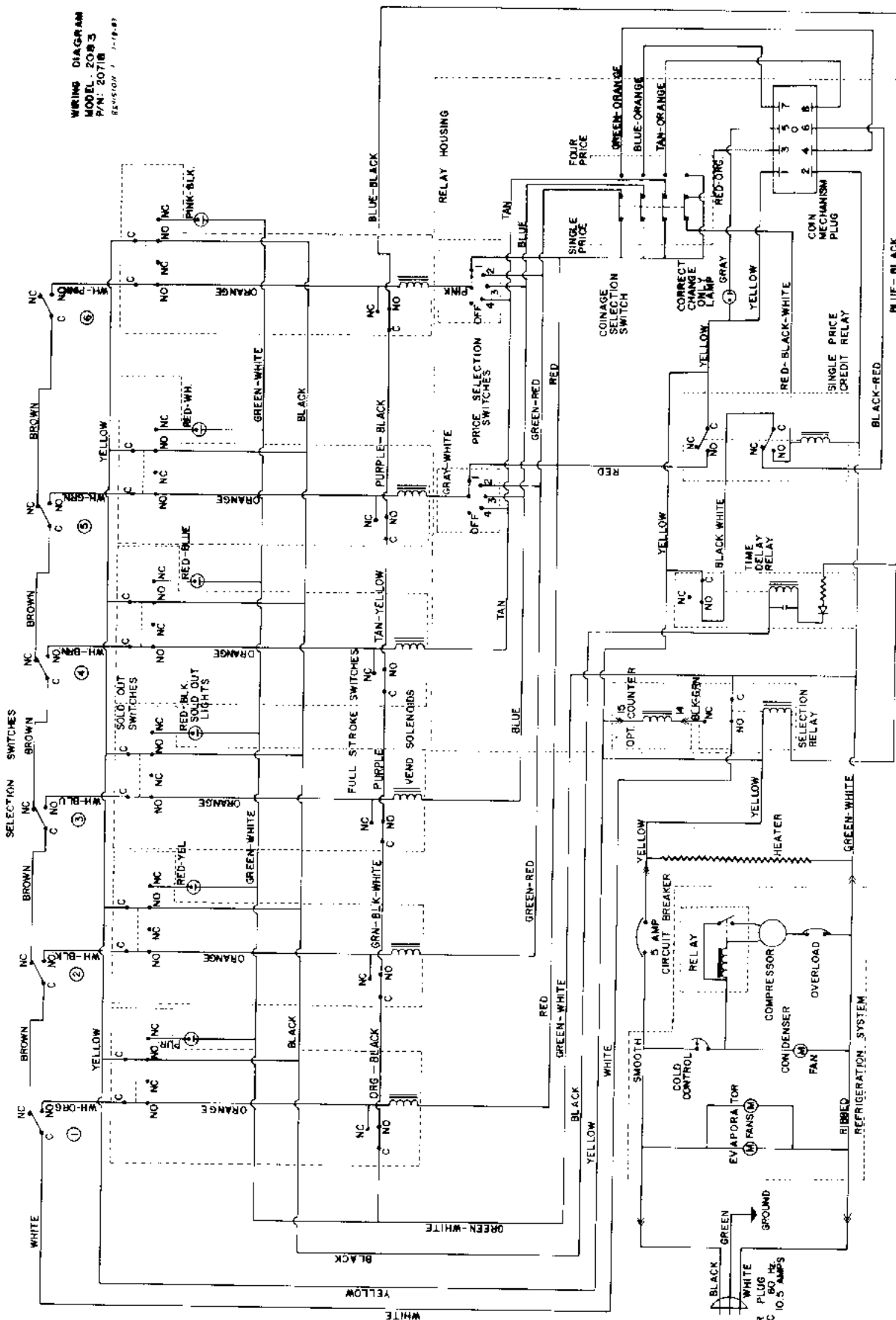
MODEL 1920

MODEL 1920

CAPACITOR
 Approximate Resistance
 Reading Across Terminals
USE RX1 SCALE
 COMMON - Start 7 Ohms
 COMMON - Run 1 Ohm
 RUN - Start 8 Ohms
 COMMON - Shell No
 Continuity



WIRING DIAGRAM
MODEL 2083
P/N 20718
REVISED 1-19-67



CARE AND CLEANING:

NOTE: Always disconnect Power Source before cleaning.

CABINET EXTERIOR:

Wash with a mild detergent and water, rinse and dry thoroughly. Wax occasionally with a quality car wax. Plastic exterior parts may be cleaned with a quality plastic cleaner.

CABINET INTERIOR:

Wash with a mild detergent and water. Odors may be eliminated by including baking soda or ammonia in cleaning solution. Remove and clean Drain Hose to eliminate any deposits that may restrict condensate water flow.

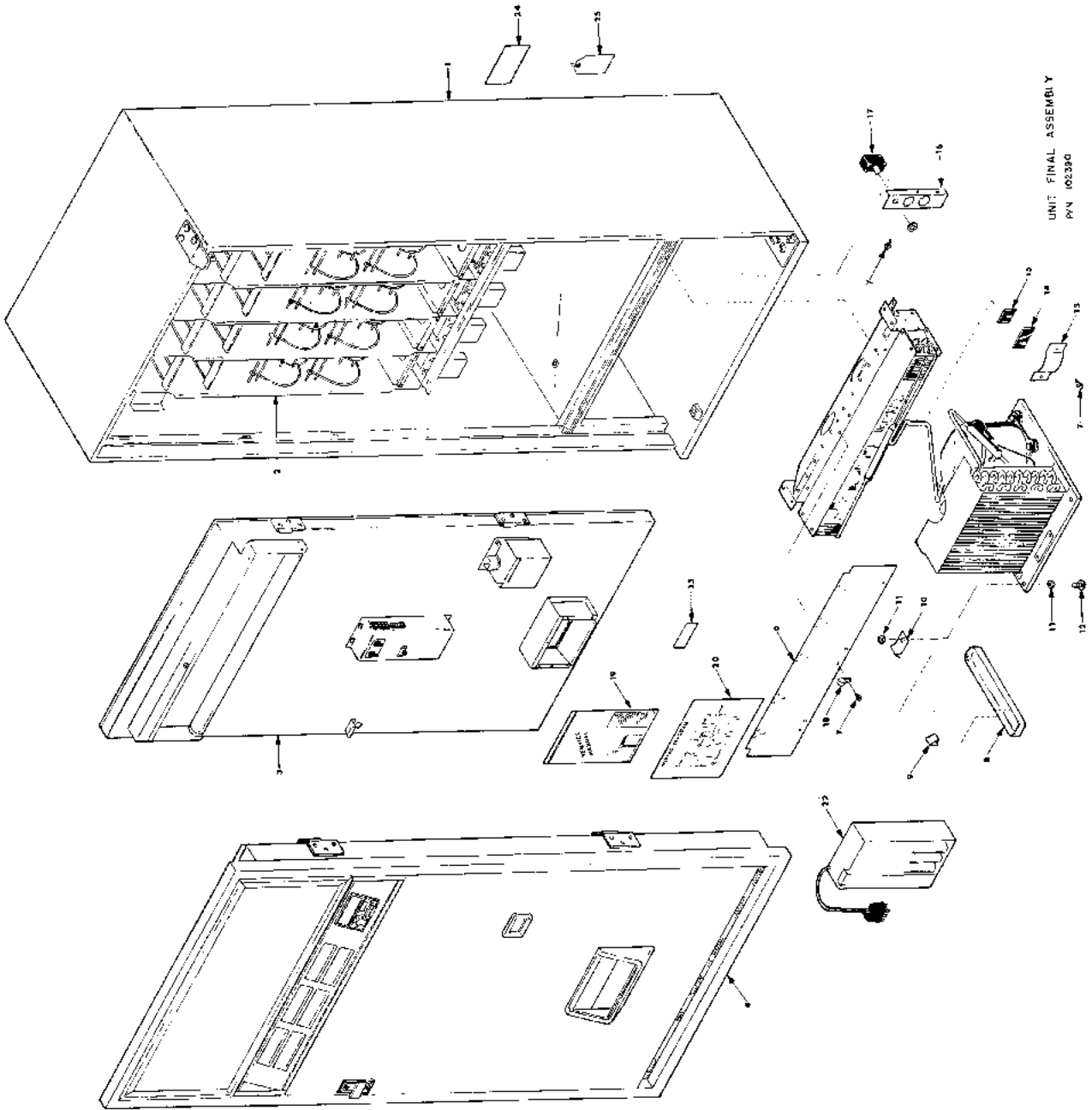
The Vend Mechanisms *must* be kept clean. Any build up of syrup deposits can cause these mechanisms to malfunction. Use soap and water with great care so as not to get water into the Electrical Components.

REFRIGERATION SYSTEM:

Clean dust from Condenser and Screen in Front Door with soft bristle brush, or vacuum cleaner. Remove any dirt or debris from Refrigeration System Compartment. Remove and clean Condensation Pan.

COIN ACCEPTOR:

Remove Coin Acceptor from Coin Mechanism. Using a damp cloth, wipe down the coin paths til they are clean.

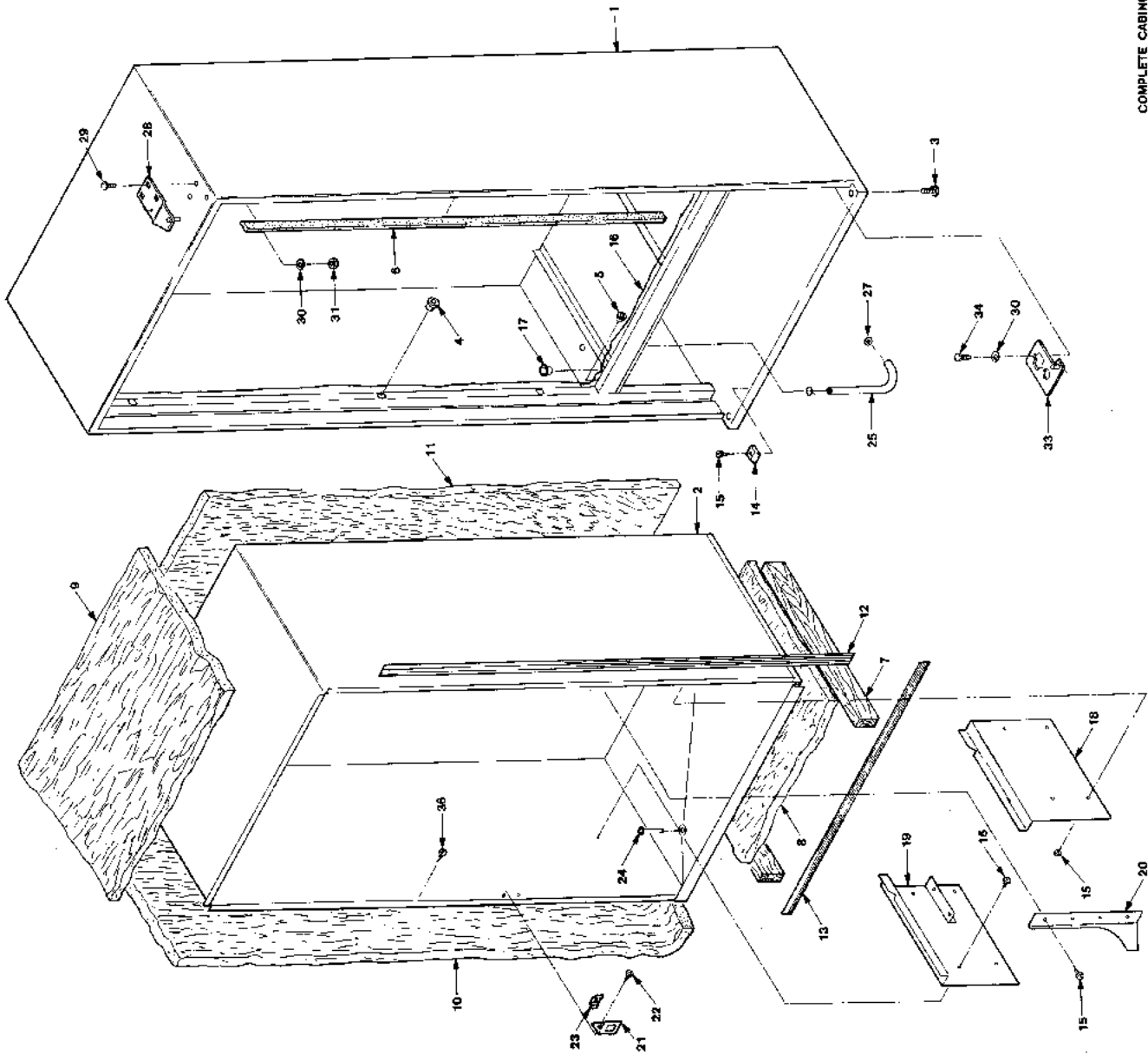


UNIT FINAL ASSEMBLY
 P/N 102380

UNIT FINAL ASSEMBLY

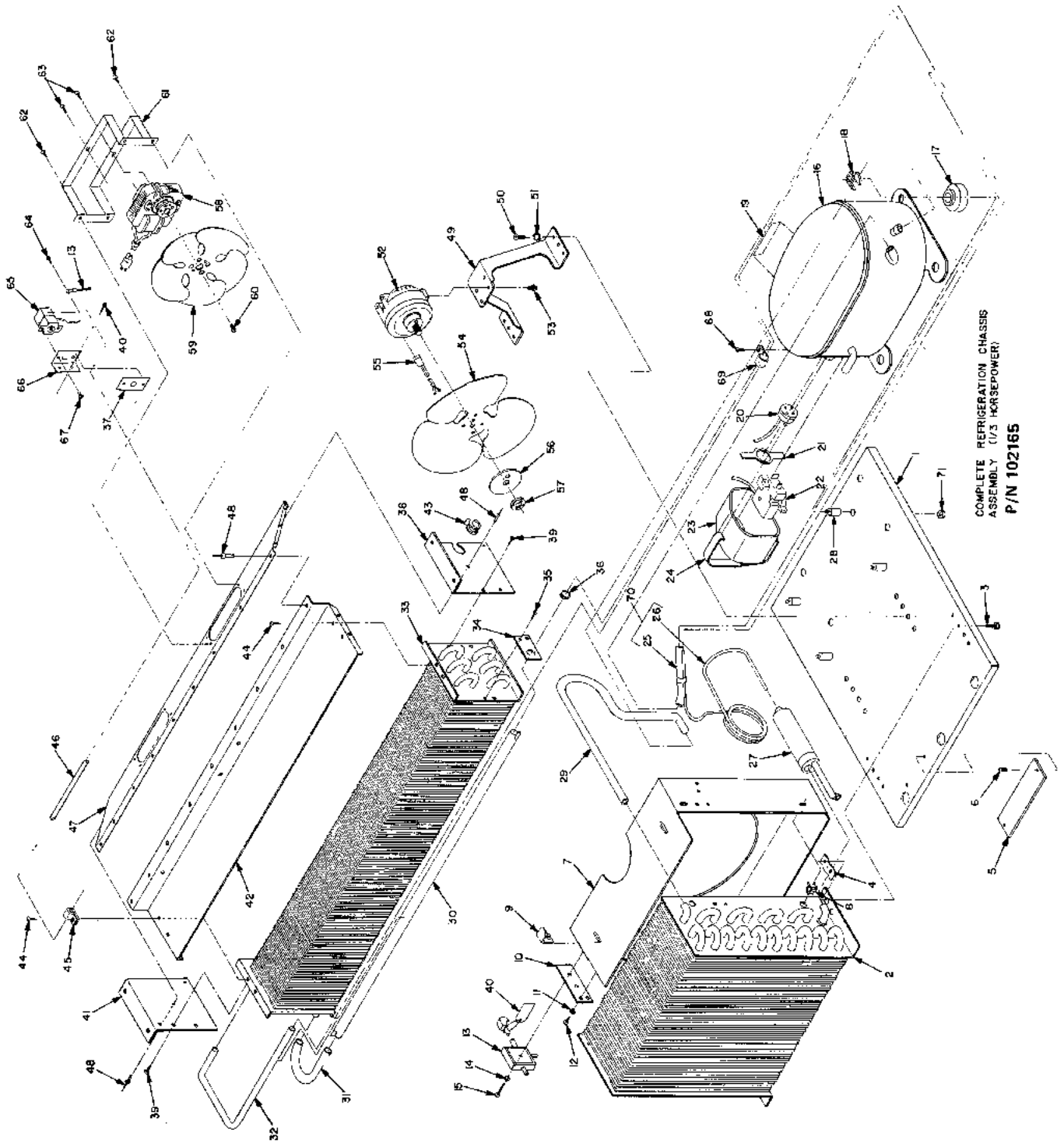
Item	Part No.	Number Required	Description	Item	Part No.	Number Required	Description
1	102185	1	Complete Cabinet Assembly (See page 20)	25	20334	1	Caution Tag
2	102343	1	Complete Can Rack Assembly (See page 26)		102394	1	Complete Wire Harness Delivered to Main Plant
3	102181	1	Inner Door Final Assembly (See page 28)		34197	1	Door Harness
4	102393	1	Outer Door Final Assembly (See page 36)		34199	1	Relay Harness
5	102165	1	Chassis Refrigeration Complete 1/3 H.P. (See page 22)		20-1953-000	3	Brown Jumper Wire - Short
6	25-0058-000	1	Air Baffle		33-2638-000	2	Brown Jumper Wire - Long
7	50202	3	# 8 - 18 x 1/2 Phil./Hex. Washer Hd. Tek		34130	1	Light Lead Harness
8	20-0623-000	1	Drain Pan		102395		Complete Wire Harness Delivered to Sub-Assembly Plant
9	20-0341-000	1	Tube Clip		34242	6	Trip Mechanism Harness
10	20-1925-000	1	Anchor Clip		20-0496-003	6	Orange Jumper Wire
11	50066	4	5/16 - 18 Hex Nut		34243	1	Cabinet Wire Harness
12	50065	2	5/16 - 18 x 1 1/4 Carriage Bolt		33-2502-000	1	Service Harness (Refer Harness)
13	20-0156-000	1	Cover, Refrigeration Tube				
14	20-0407-001	1	Seal, Refrigeration Tube				
15	20-0407-000	1	Seal, Refrigeration Tube				
16	25-0119-000	1	Bracket, Connector & Fuse Mount				
17	33620	1	5 Amp Circuit Breaker				
18	60116	1	Plastic Wire Clamp 3/8				
19	102388	1	Service Package				
20	20718	1	Wiring Diagram				
21	20-0468-001	4	# 10 x 1" Phil. Truss Hd. S.M.S. (Not Shown) (Mounting Parts for Item #2)				
22	60358	1	Coinco 5-75-9800A-807				
23	60407	1	Coinco 4-Price F300-9800A 115 Volt Model Label				
24	10-2022-000	1	Caution Sticker				

COMPLETE CABINET ASSEMBLY
P/N 102185



COMPLETE CABINET ASSEMBLY

Item	Part No.	No. Req'd.	Description	Item	Part No.	No. Req'd.	Description
1	102185	1	Complete Cabinet Assembly	17	33683	1	Strain Relief Bushing
2	102145	1	Cabinet Weld Assembly	18	60-0058-001	1	Can Rack Support Weld Ass'y - Right
3	60-0004-000	1	Cabinet Liner Weld Assembly	19	60-0058-002	1	Can Rack Support Weld Ass'y - Left
4	60310	4	Leg Leveler	20	20-1743-000	1	Can Rack Support, Center
5	09-0004-300	12	Plastic Grommet	21	25-0048-000	1	Lock Nut Bracket
6	20-0274-004	4	Snap Bushing .562 Hole	22	33-1790-000	2	1/4 - 20 x 1" Phil. Pan Hd. Taprite
7	96-0247-000	13 ft.	A-Frame Gasket	23	50760	1	1/2 - 13 Cage Nut
8	20-1886-000	2	Liner Support Wood	24	10-0042-000	1	Drain Tube
9	20-1883-004	1	Cabinet Insulation, Bottom	25	25410	17"	1/2" Ld. - 11/16 O.D. Mayon Tubing
10	20-1881-004	1	Cabinet Insulation, Top	27	60411	1	Drain Tube Screen
11	20-1882-004	2	Cabinet Insulation, Sides	28	101127	1	Upper Hinge Stake Assembly
12	20-0952-005	1	Cabinet Insulation, Back	29	50099	3	5/16 - 18 x 3/4 Carriage Bolt
13	20-1475-010	2	Breaker Strip, Sides	30	18-6148-000	3	5/16 Lock Washer
14	20-1475-011	2	Breaker Strip, Top & Bottom	31	50066	3	5/16 Hex Nut
15	25610	1	Door Glide	32	50371	1	1/4 - 14 x 3/4 Ind. Hex Washer Hd. Tek (Not Shown)
16	50202	5	#8 - 18 x 1/2 Phil./Hex Washer Hd. Tek	33	60-0018-000	1	Lower Hinge Stake Assembly
	33-4795-002	1	Heater Wire	34	50072	2	5/16 - 18 x 3/4 Hex Hd. Bolt
				36	20-0468-001	8	#10 x 1" Phil Truss Hd. S.M.S.

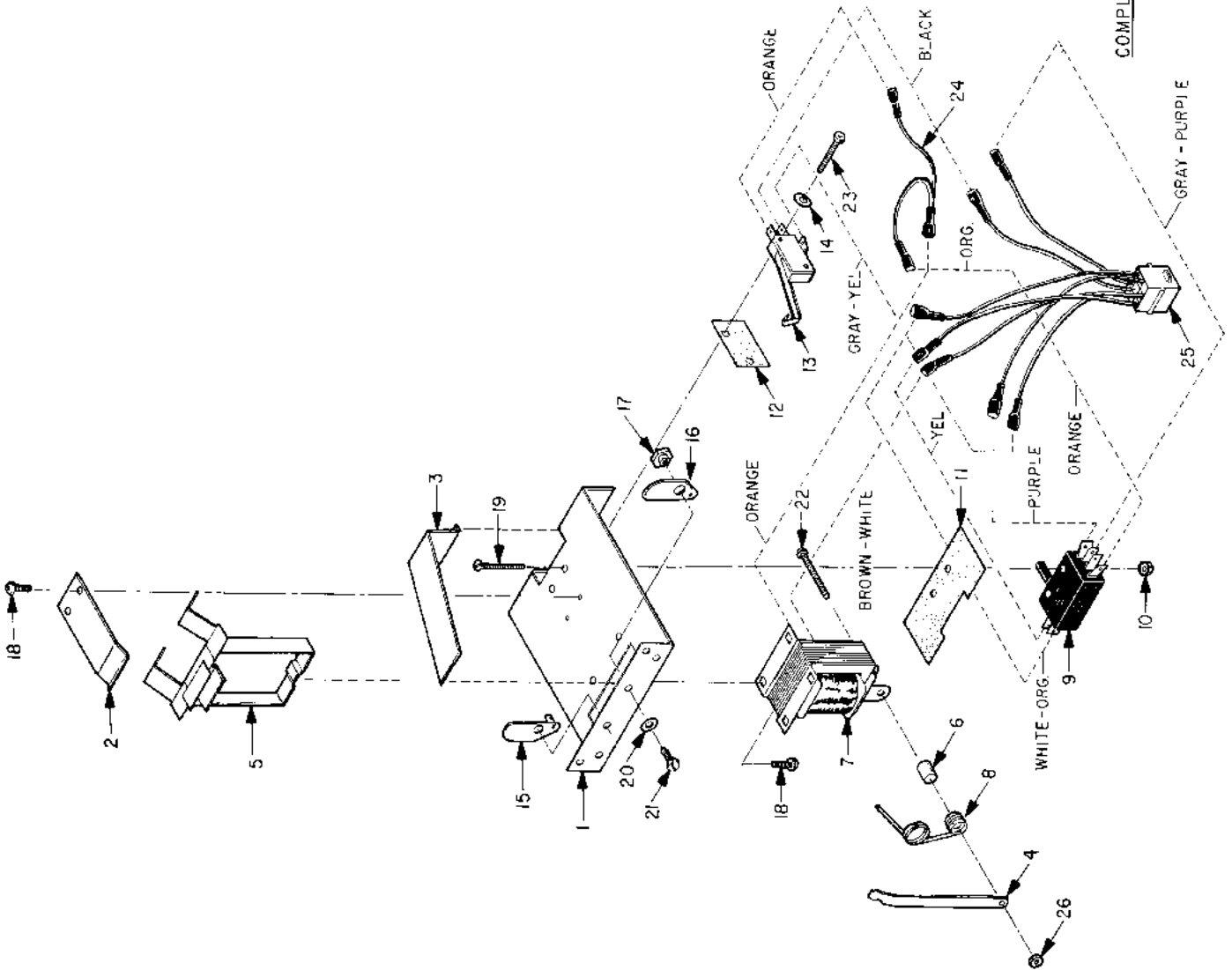
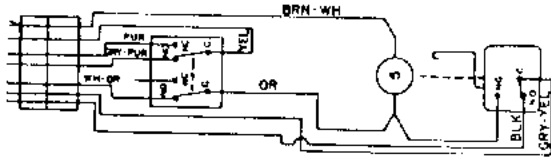


COMPLETE REFRIGERATION CHASSIS
 ASSEMBLY (1/3 HORSEPOWER)
 P/N 102165

REFRIGERATION CHASSIS ASSEMBLY

Item	Part No.	No. Req'd.	Description	Item	Part No.	No. Req'd.	Description
1	102165	1	Chassis Refrigeration Complete 1/3 H.P.	37	33-3084-000	1	Decal Thermostat
2	343839	1	Base Plate	38	33-2348-000	1	Evaporator End Plate, Right
3	33-2338-000	1	Condenser Coil 1/3 H.P.	39	20-0468-003	4	# 8 x 3/8 Phil Truss Hd. Type "A" Self Tap
4	33-2393-000	4	1/4 - 20 x 1/2 Hex Hd. Cap Screw	40	18-6633-000	1	Tag Instruction
5	33-2416-000	2	Nut - Speed Twin Tinnerman Clip	41	33-2348-001	1	Evaporator End Plate, Left
6	33-2440-000	1	Name Plate, Refrigeration System	42	33-2357-000	1	Top Baffle Evaporator
7	31-0475-000	2	Drive Screw Round Hd. #4	43	33683	1	Bushing, Strain Relief
8	33-2405-000	1	Shroud Condenser Fan	44	20-0468-006	1	# 6 x 3/8 Phil. Round Head S.M.S.
9	33-2415-000	4	Clip Shroud, Side	45	09-0002-704	1	Clamp, Cable
10	33-2414-000	2	Clip Shroud, Top	46	17-4040-000	1	Tubing Vinyl .125 I.D.
11	33-2413-000	1	Harness Mounting Bracket	47	33-2351-000	1	Evaporator Fan Shroud
12	50585	1	# 8 Ext. Shakeproof Lock Washer	48	50663	13	Pop Rivet
13	33-1309-000	1	# 8 x 1/2 Phil. Truss Hd. Type "A" S.M.S.	49	18-7395-000	1	Bracket, Condenser Fan Mtg.
14	33-2502-000	1	Service Harness (Refer Harness)	50	33-2235-000	4	1/4 - 20 x 7/16 Phil. Truss Hd. Taprite
15	33-2392-000	1	# 8 Ext. Shakeproof Lock Washer	51	50593	4	1/4 Ext. Shakeproof Lock Washer
16	33-1563-000	1	# 8 x 1 1/2 Phil. Pan Hd. S.M.S.	52	33-2418-000	1	Motor 5 Watt Condenser Fan
17	18-9723-000	4	Compressor 1/3 H.P. AE 3440	53	18-6154-000	4	# 8 - 36 x 5/16 Phil Pan Hd. M.S.
18	18-7888-000	4	Grommet, Compressor	54	33-2420-000	1	Fan Blade 8 3/4 x 26°
19	33-2492-000	1	Clip, Compressor Mounting	55	33-2430-000	1	Cord Extension 22 F Plug
20	33-1565-000	1	Warning, Decal - Refrigeration	56	18-7394-000	1	Silencer, Condenser Fan
21	18-7637-000	1	Spring Overload	57	18-6097-000	1	Nut - Condenser Fan Blade (Redmond 15 A 25)
22	33-1564-000	1	Relay	58	33-1297-000	1	Fan Motor 4 1/2 Watt
23	18-7638-000	1	Cover	59	18-6825-000	1	Fan Blade C.C.W.
24	18-7636-000	1	Strap Bale	60	18-6811-000	2	# 3 - 4 - 8 x 3/16 Slotted Rd. Hd. M.S.
25	33-3068-000	1	Line Suction 5/16 O.D.	61	33-0391-000	1	Motor Mount
26	33-2427-000	1	Tube, Cap	62	50202	8	# 8 - 18 x 1/2 Phil./Hex Washer
27	18-9453-000	1	Drier	63	18-7209-000	2	# 10 - 32 x 5/16 Phil. Rd. Hd. M.S.
28	343872	4	Stud-Mounting	65	33-4123-000	1	Thermostat (Furnished with Refrigeration Unit)
29	33-2437-000	1	Discharge Line	66	33-2408-000	1	Bracket Thermostat
30	33-2073-000	1	Accumulator	67	50234	2	# 8 - 32 x 3/8 Phil. Truss Hd. M.S.
31	33-2422-000	1	Tube, Accumulator Connecting	68	31-0059-000	1	# 10 x 3/8 Phil. Truss Hd. Type "B" S.M.S.
32	33-2423-000	1	Tube, Capillary Connecting	69	33-2446-000	1	Clamp Suction Line
33	33-2400-000	1	Coil Evaporator	70	33-3069-000	1	Suction Line Assembly
34	33-2384-000	1	Bracket, Accumulator Tube Support	71	V800949	4	3/8 - 16 Hex Nut w/Ext. Lock Washer
35	20-0468-003	2	# 8 x 3/8 Phil. Truss Hd. Type "A" Selftrap				
36	34157	1	Grommet, for 7/16 Dia. Hole, 5/16 I.D.				

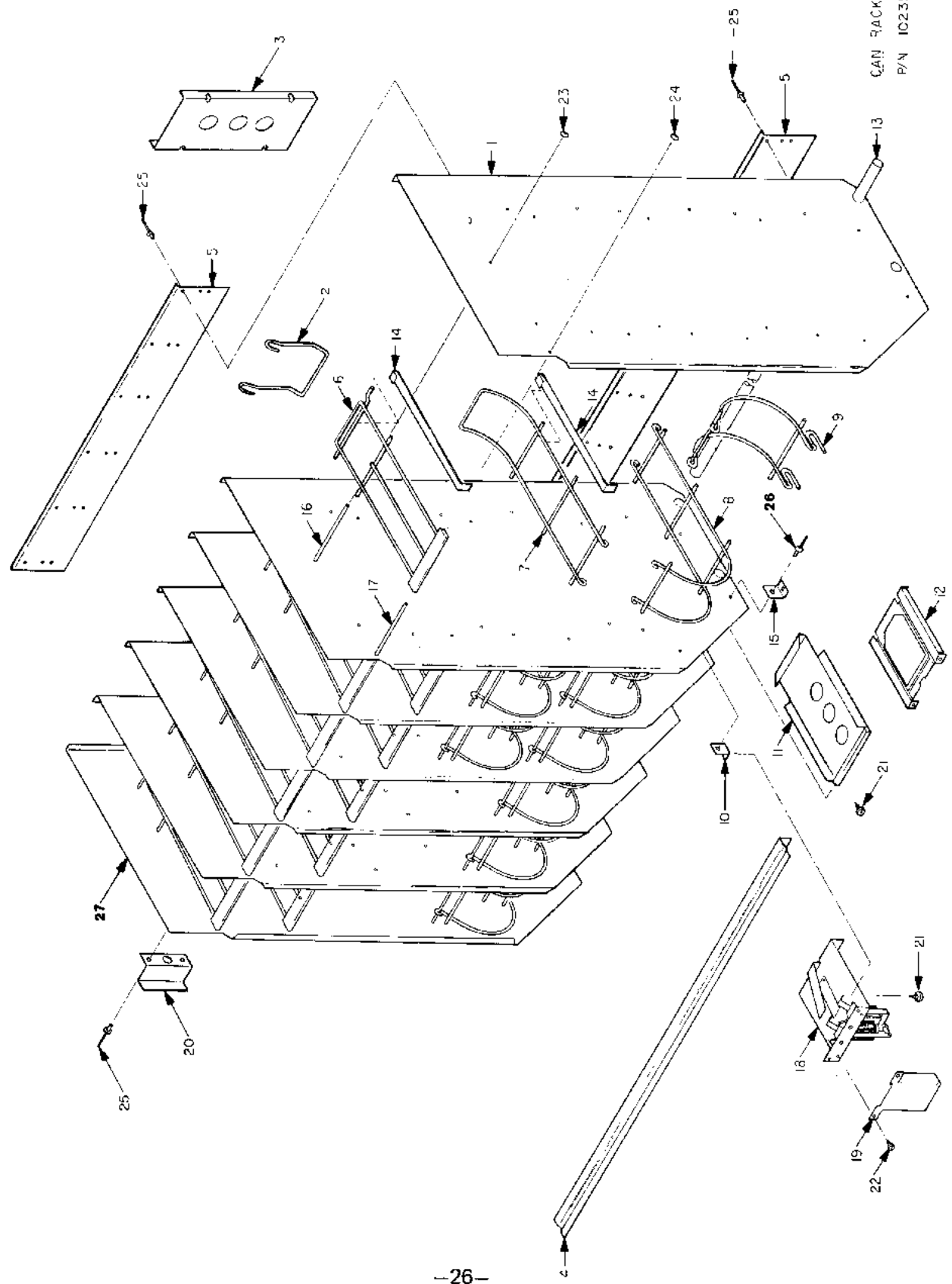
EJECTOR MECH.
WIRING SCHEMATIC



COMPLETE EJECTOR - MECH. ASSEMBLY
P/N 102721

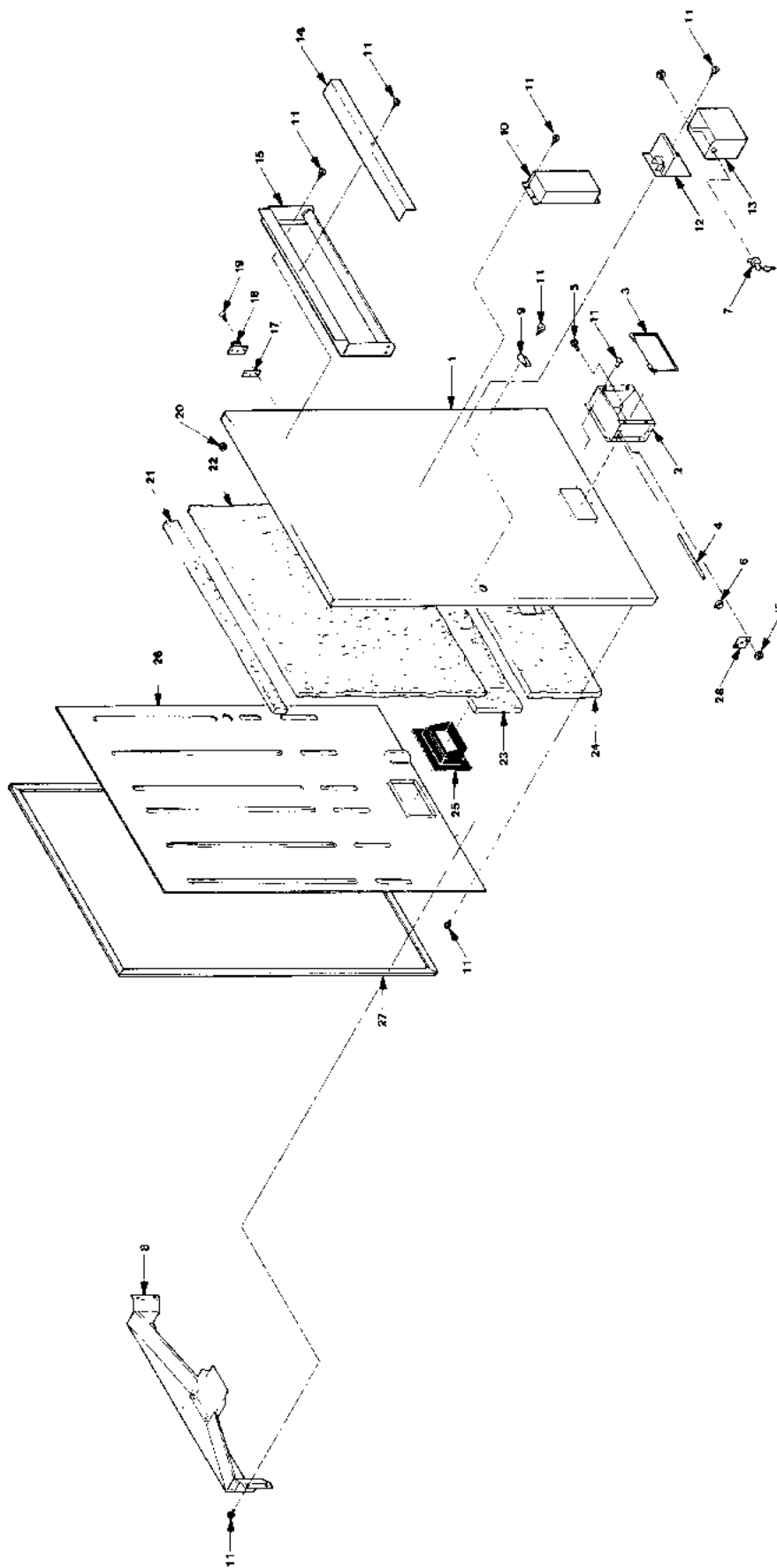
COMPLETE EJECTOR MECHANISM ASSEMBLY

Item	Part No.	No. Req'd.	Description
1	102345	1	Activator, Plate Assembly
2	20-1127-000	1	Flat Spring
3	33-2210-000	1	Solid Out Switch Leaf
4	20-1388-000	1	Lock Out Bar
5	50-0361-000	1	Ejector Assembly
6	20-1285-000	1	Spacer
7	09-1050-300	1	Solenoid
8	20-1421-000	1	Spring Solenoid
9	20-0158-000	1	Solid Out Switch
10	50505	2	# 6 - 32 Twin Whiz
11	20-0155-000	1	Insulator
12	20-0144-000	1	Insulator
13	20-0153-000	1	Switch-Stroke
14	20-0798-000	1	Washer Fiber 1/8 I.D.
15	50-0346-003	1	Cam Escapement, Left
16	50-0346-004	1	Cam Escapement, Right
17	20-1129-000	2	# 10 - 32 Shoulder Nut
18	20-0470-002	6	# 8 - 32 x 1/4 Phil. Rd. Hd. S.E.M.S.
19	20-0469-004	2	# 6 - 32 x 1" Phil. Truss Hd. M.S.
20	20-0729-004	2	# 10 Flat Washer
21	20-1200-000	2	# 10 - 32 x 3/8 Hex Hd. Locking Screw
22	20-0716-003	1	# 8 - 32 x 1 1/2 Hex Hd. Screw
23	20-0470-004	2	# 4 - 40 x 5/8 Phil. Pan Hd. Self Tap
24	20-0496-003	1	Solenoid - Jumper Wire
25	34242	1	Trip Mechanism Harness
26	50494	1	# 8 - 32 Unitorque Lock Nut
27	102392	1	Ejector Mechanism Assembly (Not Shown)



COMPLETE CAN RACK ASSEMBLY

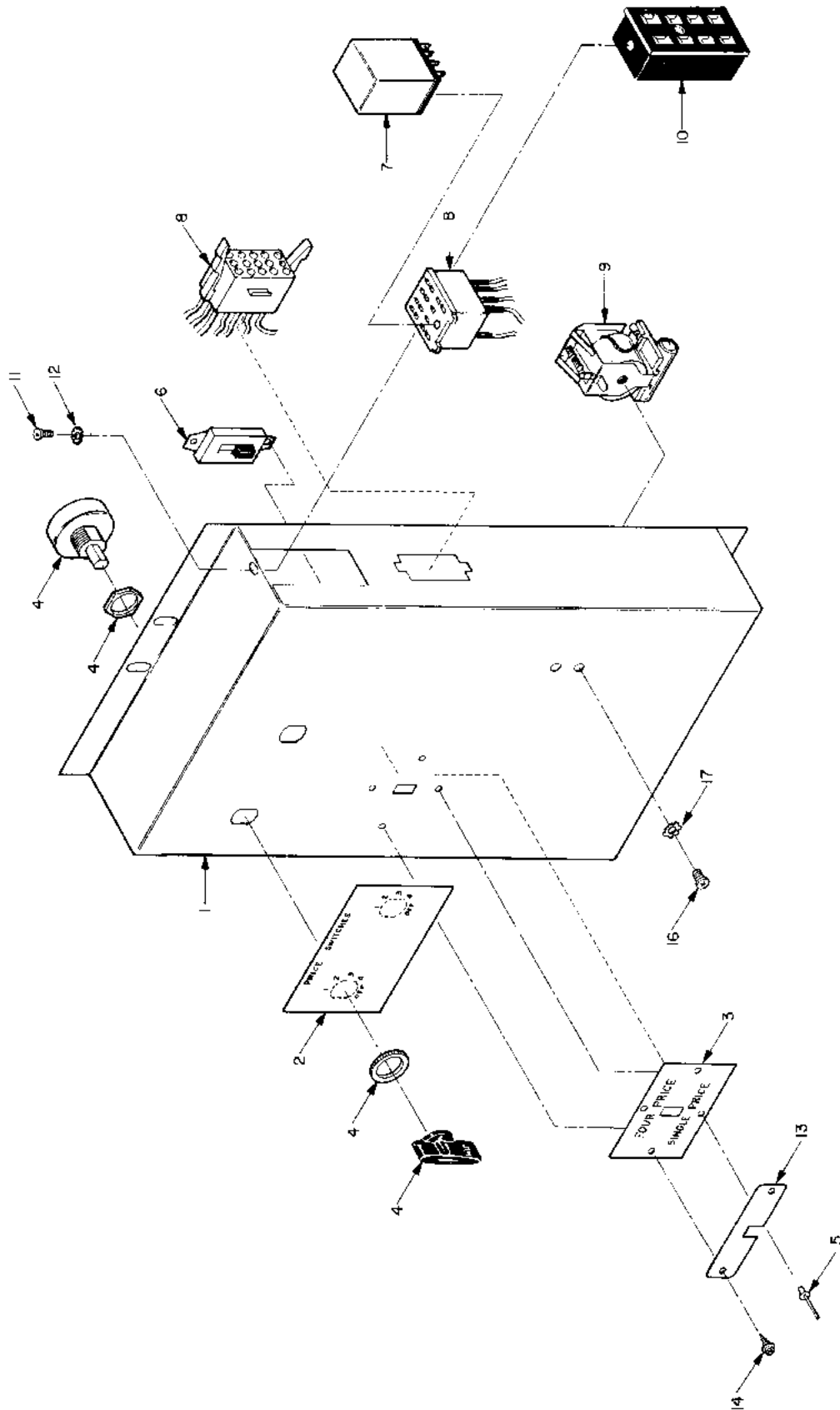
Item	Part No.	No. Req'd.	Description	Item	Part No.	No. Req'd.	Description
1	102350	1	Complete Can Rack Assembly	12	4304	6	Shelf Solid Out
2	4298-000	1	Right End Panel	13	25-0181-000	1	Tube Rack Support
3	4296	6	Damper-Can Rack	14	4302	24	Retainer Strip
4	4299	6	Upper-Baffle	15	4308-001	6	Vend Plate Mtg. Brk't-Left
5	4305	1	Plate Ejector 6 Col.	16	33-2473-000	3	.125 Dia. Tie Rod
6	4306	2	Tie Strip & Can Guide	17	33-2474-000	16	.156 Dia. Tie Rod
7	4292	12	Shelf Upper	18	102721	6	Complete Ejector Mech Assembly (See page 24)
8	4293	6	Top Loop Can Rack	19	33-1812-000	6	Shield Solenoid
9	4294	18	Center Loop Can Rack	20	4303	2	Can Rack Retainer
10	4295	6	Bottom Loop Can Rack	21	25-0179-000	2	#8 - 18 x 1/2 Phil./Hex Washer Hd. Tek
11	4308-000	6	Vend Plate Mtg. Brk't-Right	22	50202	12	#8-32 x 1/4 Phil. Rd. Hd. S.M.S.
	4300	6	Guard Can	23	20-0470-002	3	.125 Dia. Push-On Nut
				24	33-2477-000	16	.156 Dia. Push-On Nut
				25	33-2476-000	32	Pop Rivet
				26	50667	7	5/32 Dia. Steel Pop Rivet
				27	50692	6	Left End Panel
				28	4298-001	3	#12-24 x 1/2 Phil. Pan Hd. Thrd.
					25-0087-000		Cutting Screw (Not Shown) (Mounting Parts for Item #4)



INNER DOOR FINAL ASSEMBLY
P/N 102181

INNER DOOR FINAL ASSEMBLY

Item	Part No.	Number Required	Description	Item	Part No.	Number Required	Description
1	102181	1	Inner Door Final Assembly	16	50546	4	# 10 - 32 Twin Whiz Nut
2	102182	1	Inner Door Weld Assembly	17	25-0059-000	2	Inner Door Hinge Spacer
3	60-0008-000	1	Outer Door Chute Assembly	18	25-0101-002	2	Butt Hinge Female
4	33-4428-000	1	Vend Port Door	19	50338	6	# 10 - 32 x 1/2 Phil. Flat Hd. Cap Screw
5	20-0650-004	1	Hinge Pin 8"	20	50495	6	# 10 - 32 F/M Unitorque Lock Nut
6	18-8598-000	4	# 10 - 32 x 3/8 Carriage Bolt	21	9057	1	Inner Door Insulation, Top
7	09-1078-000	2	Tubular Speed Nut (Tinnerman)	22	9058	1	Inner Door Insulation, Upper
8	20-0253-xxx	1	Coin Box Lock	23	9059	1	Inner Door Insulation, Middle
9	60-0009-000	1	Can Chute Assembly	24	9596	1	Inner Door Insulation, Bottom
10	9019	1	Door Strike	25	25647	1	Delivery Chute
	102344	1	Relay Housing Final Assembly (See page 30)	26	25-0116-000	1	Inner Door Liner
11	50202	4	# 8 - 18 1/2 Phil./Hex Washer Hd. Tek	27	25-0078-000	1	Door Gasket
12	102271	1	Coin Box Holder Weld Assembly	28	3745	2	Bracket - Delivery Door
13	102270	1	Coin Box Weld Assembly				
14	25-0175-000	1	Light Assembly Cover				
15	102268	1	Light Assembly (See page 32)				

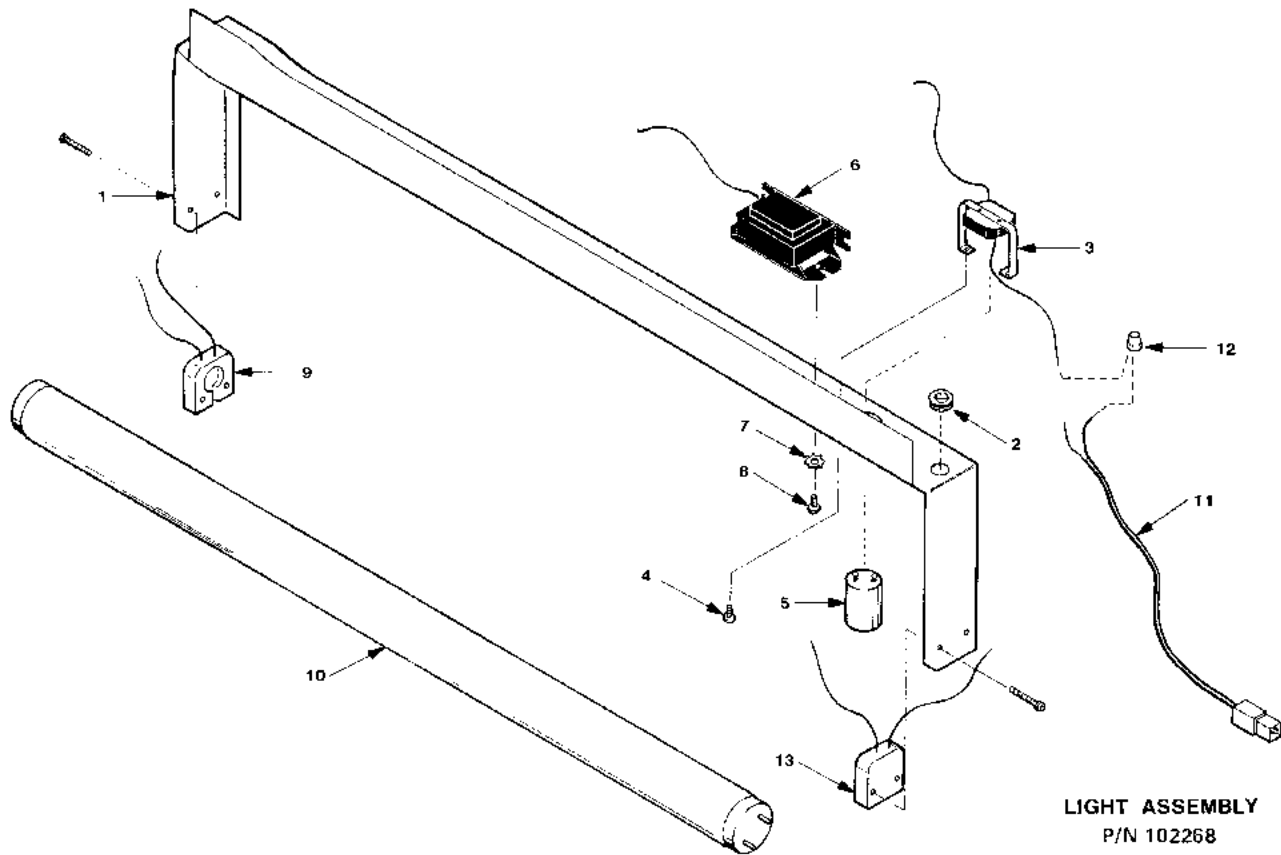


RELAY HOUSING FINAL ASSEMBLY

P/N 102344

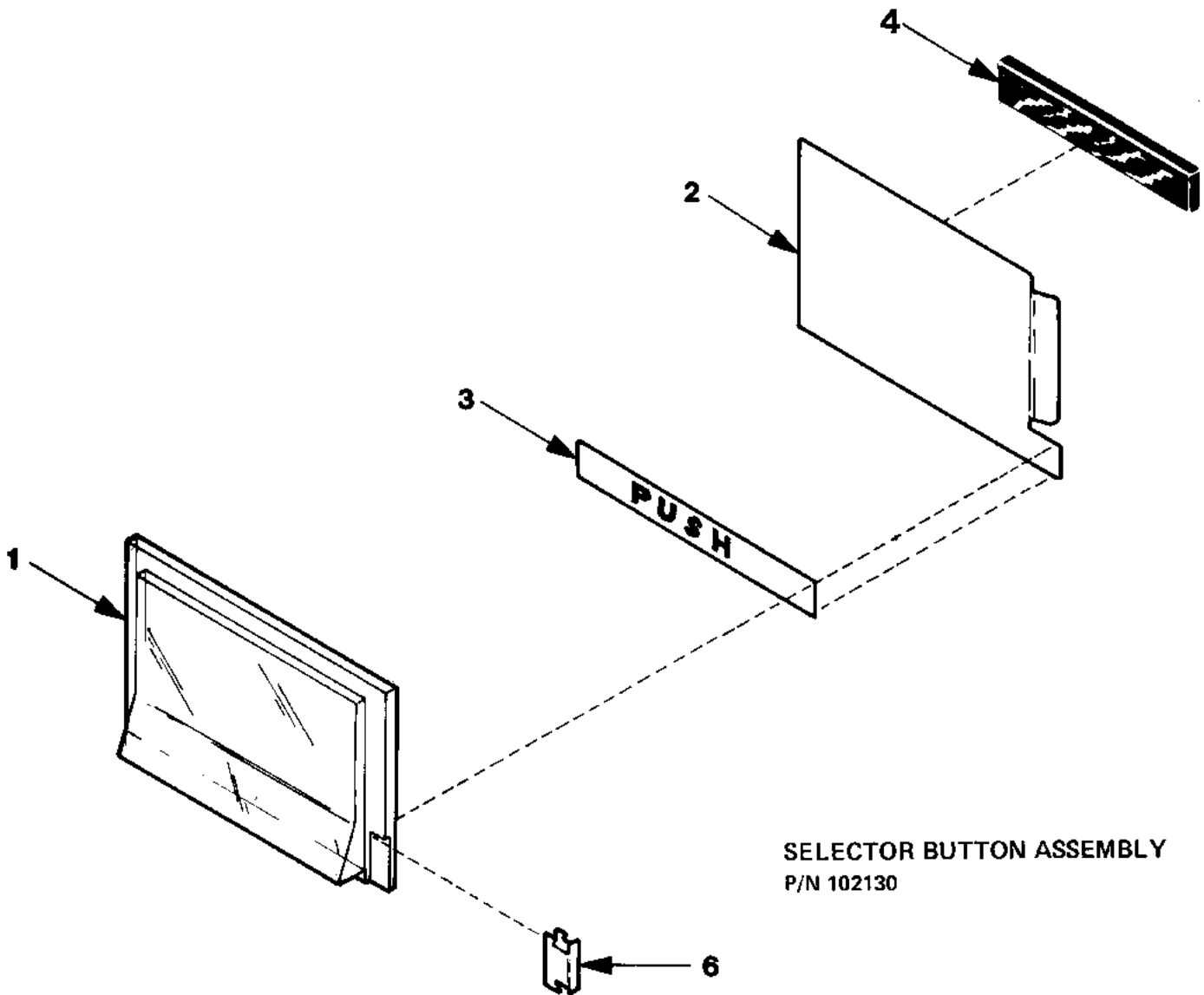
CONTROL BOX

Item	Part No.	Number Required	Description
1	102344	1	Relay Housing Final Assembly
2	102347	1	Relay Housing Weld Assembly
3	20716	1	Label, Price Selection Switch
4	382697	1	Label, Four-Single Price
5	50667	2	Rotary Switch
6	33901	2	Pop Rivet
7	33762	1	Slide Switch
8	34199	2	Credit Relay
9	20-1754-000	1	Relay Harness
10	33607	1	Time Delay Relay
11	50240	1	Coin Mech. Plug
12	50617	2	#8 - 32 x 3/8 Phil. Pan Hd. M.S.
13	4301	2	5/32 x 3/8 x 3/64 Washer
14	50202	1	High-Low Switch Stop
16	50112	2	#8-18 x 1/2 Phil/Hex Washer Hd. Tek.
17	50581	3	#6 - 32 x 1/4 Phil. Pan Hd. M.S.
		1	#6 Ext. Shakeproof Lock Washer



LIGHT ASSEMBLY

Item	Part No.	No. Req'd.	Description
1	25-0183-000	1	Sign Light Mounting Bracket
2	33671	2	Snap Bushing
3	18-7190-000	1	Starter Socket
4	50112	2	#6 - 32 x 1/4 Phil. Pan Hd. M.S.
5	33661	1	Starter FS 25
6	33-4938-000	1	Ballast, 25 Watt
7	50581	2	#6 Ext. Shakeproof Lock Washer
8	31-0057-000	2	#6 x 1/4 Phil. Truss Hd. Blunt Point S.M.S.
9	18-9063-001	1	Lamp Holder with 24" Leads Furnished with (2) #4 - 36 x 7/16 Slotted Rd. Hd. M.S.
10	33-4939-000	1	Lamp, Fluorescent, 25 Watt
11	34130	1	Light Lead Assembly
12	33505	5	Splice Cap BU 2002
13	18-9063-002	1	Lamp Holder with 9" Leads Furnished with (2) #4 - 36 x 7/16 Slotted Rd. Hd. M.S.

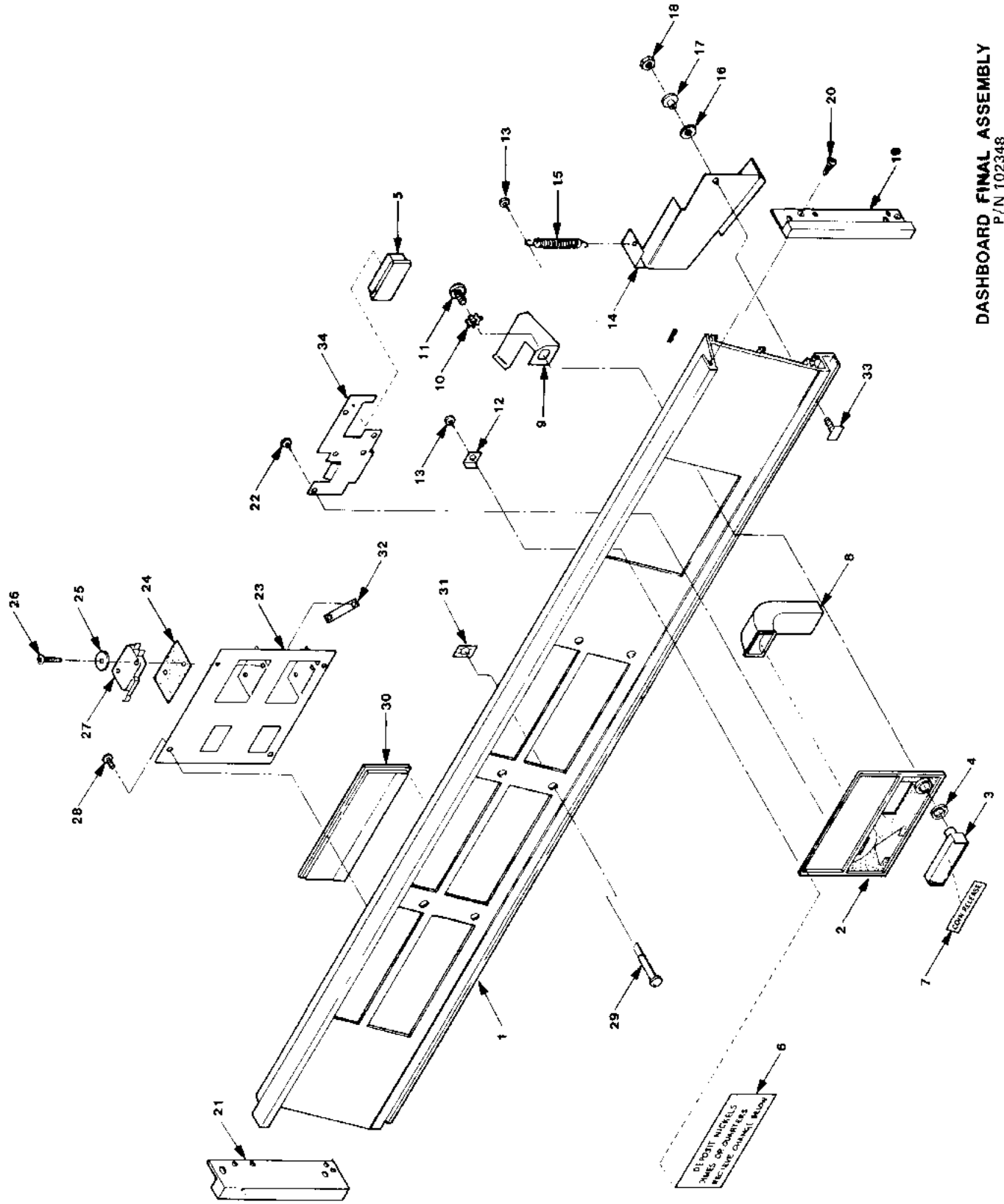


SELECTOR BUTTON ASSEMBLY
P/N 102130

SELECTOR BUTTON

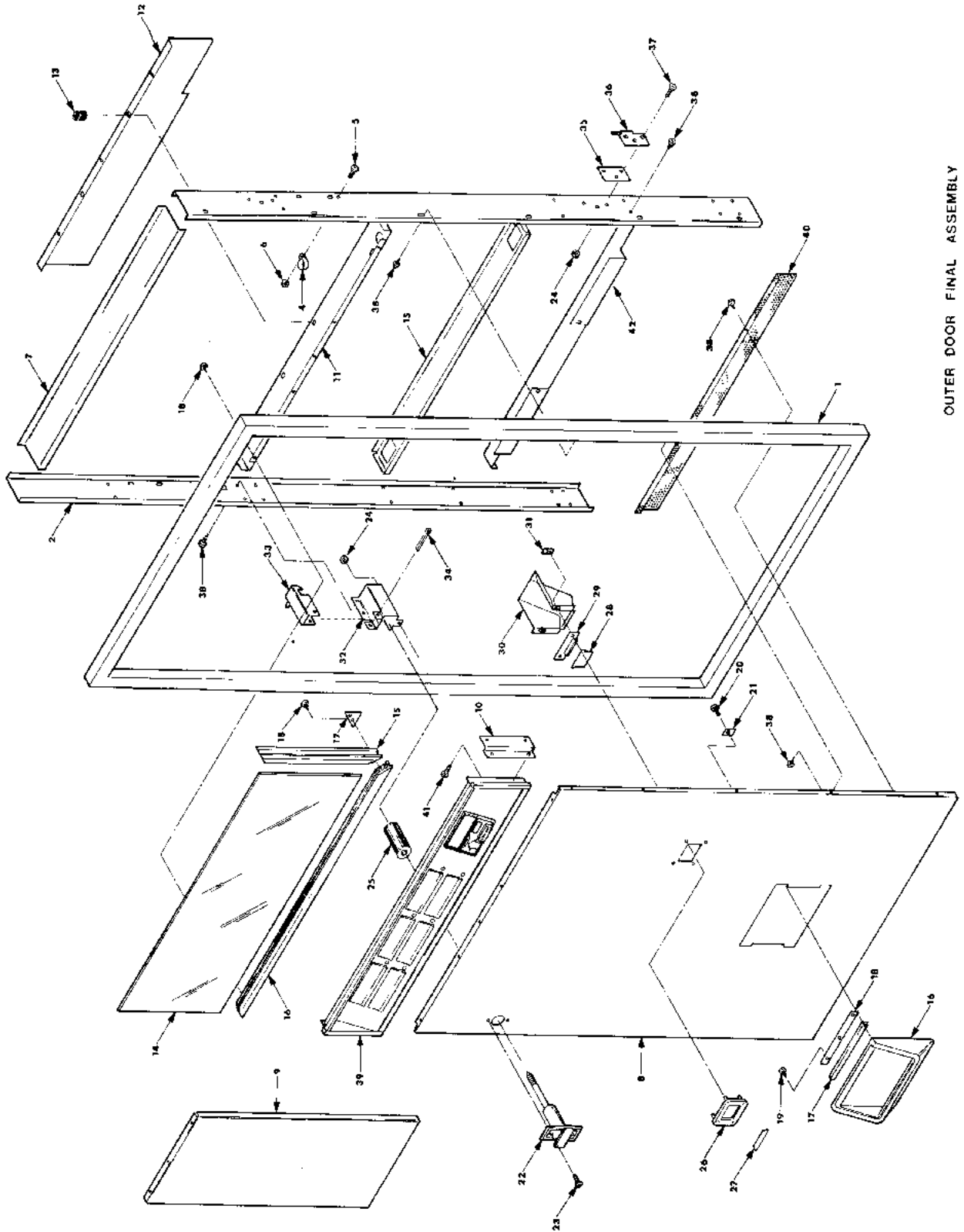
Item	Part No.	Number Required	Description
	102130		Selector Button Assembly (Blank)
1	33-2615-000	1	Button Selector
2	33-2625-001	1	Retainer Flavor Tab
3	25-0070-000	1	Decal Push & Empty Light
4	60005	4"	1/8 x 3/8 Block Door Tite
5	33-5107-000	2	Clip Tinnerman

DASHBOARD FINAL ASSEMBLY
P/N 102348



DASH BOARD

Item	Part No.	Number Required	Description	Item	Part No.	Number Required	Description
1	102348	1	Dashboard Final Assembly	18	50494	1	# 8 - 32 F/M Unitorque Lock Nut
2	22392	1	Dashboard	19	25-0086-003	1	Dashboard End, Right
3	60372	1	Coin Insert Casting	20	50095	4	# 6 - 32 x 5/8 Phil. Flat Hd. S.M.S.
4	33-4283-000	1	Coin Release Handle	21	25-0086-004	1	Dashboard End, Left
5	10-0816-000	1	Coin Release Washer	22	20-0470-008	4	# 6 - 32 x 3/16 Phil. Rd. Hd. S.E.M.S. Type 1
6	33911	1	Use Correct Change Light 110V	23	33-2624-000	3	Retainer, Flavor Bottom
7	20691	1	Coin Insert Label	24	20-0144-000	6	Insulator, Coin Blocking Switch
8	20679	1	Coin Insert Label	25	20-0798-000	6	Washer Fibre .125
9	33-4370-001	1	Decal Coin Release	26	50004	12	# 4 x 3/4 Phil. Pan Hd. S.M.S.
10	20-1748-000	1	Coin Intake Chute	27	20-2075-000	6	Switch (Selection) Micro
11	25-0302-000	1	Coin Reject Lever	28	50212	12	# 8 - 32 x 1/4 Phil. Pan Hd. Type 23 Self Tapping
12	20-0717-008	1	Lock Washer Int./Ext. Tooth	29	25-0099-000	6	Glo-Lite (Empty Lite)
13	20-0469-020	1	1/4 - 28 x 1/2 Phil. Truss	30	102130	6	Selector Button Assembly (Blank) (See page 33)
14	9751	4	Coin Insert Retaining Bracket	31	50628	6	Tinnerman Push-On 3B-1069
15	50212	4	# 8 - 32 x 1/4 Phil. Pan Hd. Type 23 S.T.S.	32	50586	6	Speed Nut - Twin Type
16	60-0047-000	1	Rejector Lever Follower Assembly	33	50712	1	T-Bolt # 8 - 32 x 1/2
17	21015	1	Coin Reject Slide Spring	34	8715	1	Retainer - Coin Chute & Change Light
18	50613-000	1	Flat Washer # 10 x .048	35	102178	1	Complete Coin Insert Casting Assy. (Not Shown)
19	30053	1	Shoulder Bushing				



OUTER DOOR FINAL ASSEMBLY
 P/N 102393

OUTER DOOR FINAL ASSEMBLY

Item	Part No.	Number Required	Description	Item	Part No.	Number Required	Description
1	102393	1	Outer Door Final Assembly	23	50338	2	# 10 - 32 x 1/2 Phil. Flat Hd. Cap Screw
2	101116-006	1	Door Frame Weld Assembly	24	50546	2	# 10 - 32 Twin Whiz Lock Nut
3	25-0289-000	1	Left Side Door Frame Extension	25	60043	1	Rubber Refrigeration Tube
4	25-0290-000	1	Right Side Door Frame Extension	26	33-4281-000	1	Change Bezel
5	60134	1	Plastic Wire Clamp	27	33-4984-000	1	Decor Change
6	50240	1	# 8 - 32 x 3/8 Phil. Pan Hd. M.S.	28	20-0102-000	1	Door Coin Return
7	50513	1	# 8 - 32 Twin Whiz Lock Nut	29	20-1422-000	1	Tab Anti Day Switch
8	25-0303-000	1	Top Door Frame Extension	30	20-1649-000	1	Cup Coin Return
9	3867-xxx	1	Door Panel	31	50587	4	Tinnerman Push-On C1204 3-017
10	25-0122-000	1	Panel Striffner	32	60-0100-000	1	Lock Housing Weld Assembly
11	25-0293-000	2	Dashboard Mtg. Bracket	33	60-0103-000	1	Door Latch Weld Assembly
12	25-0297-000	1	Upper Door Brace	34	25-0187-000	1	Cotter Pin
13	25-0120-000	1	Wire Shield	35	25-0059-000	2	Inner Door Hinge Spacer
14	379407	2	Latch	36	25-0101-001	2	Butt Hinge Male
15	25658	1	Picture Display Window	37	50338	6	# 10 - 32 x 1/2 Flat Hd. Phil. Cap Screw
16	22388-001	2	Display Header Trim - Sides	38	50202	6	# 8 - 18 x 1/2 Phil./Hex Washer Hd. Tek
17	22388-003	2	Display Header Trim - Top & Bottom	39	102348		Dashboard Final Assembly
18	9794	4	Display Corner Bracket	40	3870	1	(See page 34)
19	50423	14	# 8 x 3/8 Phil. Pan Hd. Type "AB" S.M.S.	41	50180	4	Screen - Air Vent
20	33-0289-000	3	# 6 - 32 x 1/4 Phil. Pan Hd. Taprite	42	3811	1	# 8 - 18 x 1/2 Phil. Pan Hd. Tek
21	50212	5	# 8 - 32 x 1/4 Phil. Pan Hd. Type 23 Self Tap	43	102386	1	Lower Center Door Brace
22	33-2465-000	3	Angle Attaching T-Handle	44	33-5006-000	1	Display Header Assembly (Not Shown)
		1		45	60-0102-000	1	Trim Can Chute Assembly (Not Shown)
				46	33-2462-000	1	Lock Housing & Door Latch Assy. (Not Shown)
							Retainer - Support Can Chute Bumper

