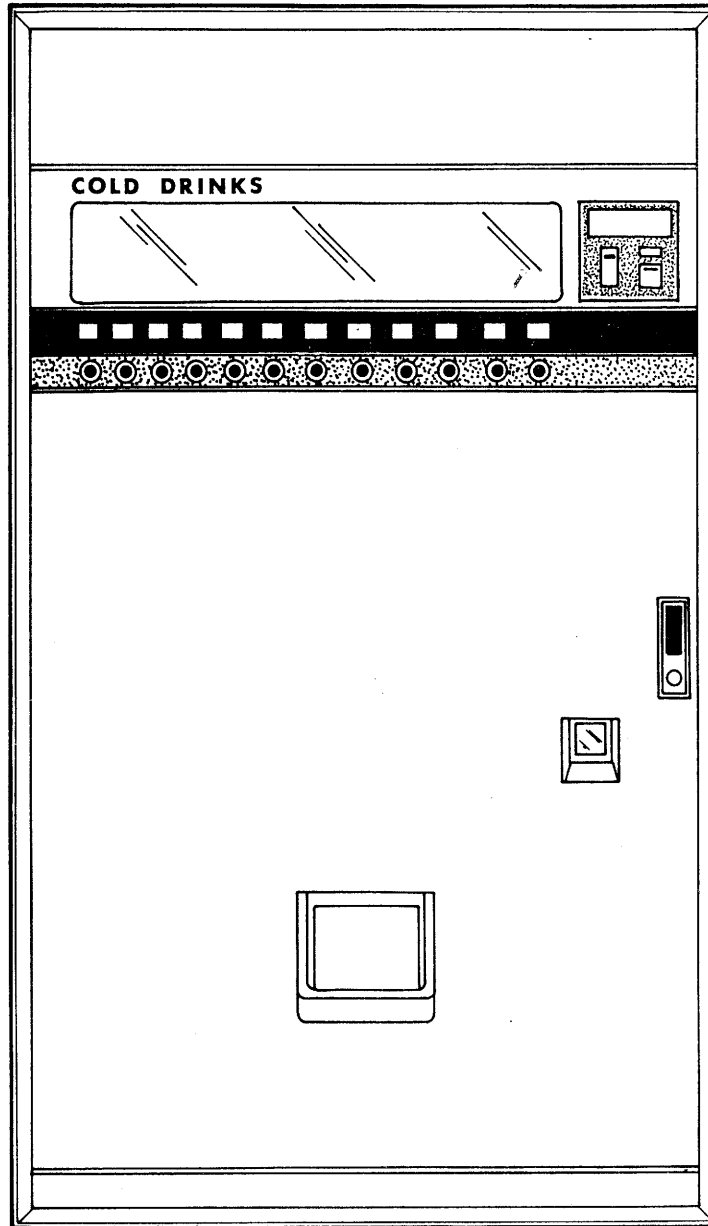


CD 7 & CD 7/5



Service & Parts Manual

Part Number 620192

Table of Contents

Introduction	3
Specifications	3
Installation	4
Price Setting	5
Price Labels	6
Live Display	6
Loading Directions	6
Installation Check List	7
Cold Control Setting	7
Instructions to Convert from 12-ounce to 10-ounce Cans	8
Selection Jumper	8
Care and Cleaning	8
Trouble Shooting	9
Basic Vendor	9-10
Refrigeration System	10, 11, 12, 13
CD 7 Wiring Diagram	14
CD 7/5 Wiring Diagram	15
MODEL ILLUSTRATIONS AND PARTS LISTS:	
Parts Ordering Procedure	16
Vendura Door Styling	18
Vendura Door Styling Parts List	19
National Crown Door Styling	20
National Crown Door Styling Parts List	21
Rowe Door Styling	22
Rowe Door Styling Parts List	23
Grandura Door Styling	24
Grandura Door Styling Parts List	25
National Imperial Crown Door Styling	26
National Imperial Crown Door Styling Parts List	27
Golden Furniture Door Styling	28
Golden Furniture Door Styling Parts List	29
Golden Furniture II Door Styling	30
Golden Furniture II Door Styling Parts List	31
Unit Final Assembly	32
Unit Final Assembly Parts List	33
Complete Cabinet Assembly	34
Complete Cabinet Assembly Parts List	35
Refrigeration Chassis Assembly	36
Refrigeration Chassis Assembly Parts List	37
Complete Ejector Mechanism Assembly	38
Complete Ejector Mechanism Assembly Parts List	39
Complete Can Rack Assembly	40
Complete Can Rack Assembly Parts List	41
Inner Door Final Assembly	42
Inner Door Final Assembly Parts List	43
Complete Juice Stack Assembly	44
Complete Juice Stack Assembly Parts List	45
Outer Door Final Assembly	46
Outer Door Final Assembly Parts List	47, 48, 49

INTRODUCTION:

This Service and Parts Manual contains information on both the CD 7 and the CD 7/5 Canned Drink Vendor. The CD 7 Vendor is for 12-ounce cans, and the CD 7/5 Vendor is for 12-ounce and 6-ounce cans. Both vendors have the Open Front Dispensing Units for easy visual account of inventory. A live product display is standard on all machines giving a full view of products being dispensed.

SPECIFICATIONS:

DIMENSIONS:

72" High
41½" Wide
31½" Deep

ELECTRICAL:

115 Volts
60 Hertz
11.9 Amps

MODEL:

CD 7

WEIGHT: 795 Pounds
CAPACITY: 434 12-ounce cans
52 12-ounce cans
(Pre-cooled)
SELECTIONS: 7 12-ounce cans

CD 7/5

820 Pounds
434 12-ounce cans
95 6-ounce cans
7 12-ounce cans
5 6-ounce cans

COINAGE:

Single Price Changer:

Accepts nickels, dimes and quarters. Selection of ONE vend price, 5¢ through \$3.15; adjustable in 5¢ increments. Change payback is up to and including \$3.15 in 5¢ increments with tube escrow until selection.

Four Price Changer:

Accepts nickels, dimes and quarters. Selection of FOUR vend prices, 5¢ through \$3.15; adjustable in 5¢ increments. Change payback is up to and including \$3.15 in 5¢ increments with tube escrow until selection.

Four Price Changer:

Accepts nickels, dimes and quarters. Selection of FOUR vend prices, 5¢ through \$3.15; adjustable in 5¢ increments. Change payback is up to and including \$3.15 in 5¢ increments with tube escrow until selection.

REFRIGERATION:

½-H.P. Closed System; with Vendo/U.S.I. 60-Month Warranty.

STYLING:

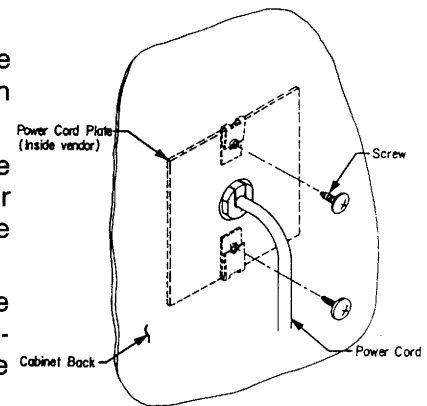
Vendo/U.S.I. or Competitive.

INSTALLATION INSTRUCTIONS:

1. Remove all packing material in a manner not to damage the finish or exterior of that Vendor. To unlock the door, the key will be found taped inside the Coin Return Cup. Remove all shipping brackets, inner packing material, and tape from that Vendor. To try to operate the Vendor without removing the tape from the moving parts may result in damage.
2. Record the Model Number and Serial Number of the Vendor and refer to these numbers on all inquiries and correspondence pertaining to that Vendor.
3. This Vendor was thoroughly inspected before leaving the Factory, and the Carrier has accepted this Vendor as their responsibility. Any damages or irregularities should be noted at the time of delivery and immediately reported to the Delivering Carrier. Request a written Inspection Report from the Claims Inspector to file any freight claims for damage. File claim with CARRIER . . . **NOT** with MANUFACTURER.
4. Run Power Cord through the hole in the Cabinet back. Align the two holes on the Cord Plate with the holes on Cabinet back, then attach with screws provided.

To insure safe operation of an electrically equipped Vendor, the Vendor must be properly grounded. To be certain that the Vendor *is* properly grounded, connect one end of a Test Light to the screw holding the Receptacle Cover.

If the Test Light does not come on, thereby indicating that the Vendor is not grounded, you should contact a licensed Electrician to correctly ground it (or the Receptacle) to insure safe operation.



5. The vendor requires a 115-volt/60-cycle, 20 amp electrical power source. As the Vendor is plugged in, the following things should happen:
 - a. The Display Light should come on.
 - b. The Correct Change Circuit should be activated.
 - c. The SOLD-OUT or EMPTY lights should come on.
 - d. The C.R.E.M. Circuit of the Changer should be activated to allow acceptance of coins.
 - e. Evaporator Motor and Refrigeration should run.
6. Loosen and remove the (4) shipping bolts securing the pallet to the Vendor. Raise the Vendor off the pallet and remove pallet. Insert the Leveling Screws in holes from which the shipping bolts were removed. Turn the Leveling Screws in as far as possible. Position the Vendor in its' place of operation. **LEAVE AT LEAST (4) INCHES OF SPACE BEHIND THE VENDOR FOR PROPER AIR CIRCULATION.** Level the Vendor, making sure all levelers are touching the floor. The Vendor **MUST** be level for proper operation and acceptance of coins through the Coin Mechanism. If the Vendor is properly leveled, it should not rock or teeter on any of the Levelers.

WARNING

Do not block the Ventilating Louvers in front or in rear of the Vendor. Always allow free ventilation behind a Bank Installation, so that Exhaust Air is not trapped. Failure to do so could result in REFRIGERATION FAILURE.

PRICE SETTING:

Any 110-volt, Single- or Four-Price Coin Mechanism can be used, depending on which Model of Vendor you have.

CD 7 MODEL:

The 7-select, 12-ounce Vendor is supplied with a Control Box capable of accepting either a Single- or Four-Price Changer. Position the Coinage Selection Switch on that Control Box at the selection which agrees with the Changer being used.

With a Single-Price Changer, the Coinage Selection Switch should be in the Single-Price position. All selections will now vend at the same price.

With a Four-Price Changer, the Coinage Selection Switch should be in the Four-Price position. Now you are able to sell products at four different prices if so desired. The selections are zoned or priced as follows:

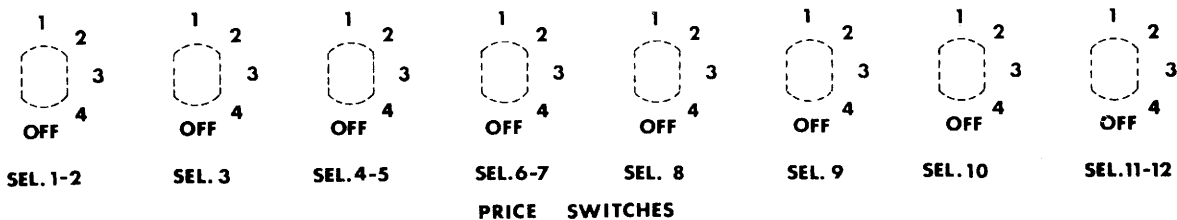
- Price or Zone No. 1: Selections 1 & 2
- Price or Zone No. 2: Selection 3
- Price or Zone No. 3: Selections 4 & 5
- Price or Zone No. 4: Selections 6 & 7

Even with a Four-Price Changer, you can set all the prices or zones the same and thereby have a Single-Price Vendor.

CD 7/5 MODEL:

The 5-select, 6-ounce and 7-select, 12-ounce Vendor is supplied with a Control Box that accepts only a Four-Price Changer.

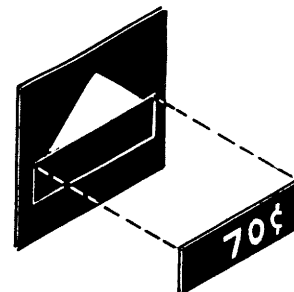
All four prices or zones are set in the Changer and are routed to the Selections through the Rotary Switches in that Control Box.



The Selections are set up in the Rotary Switches as shown above.

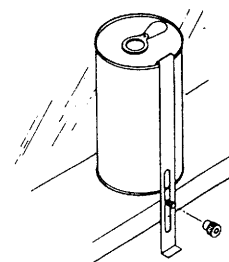
PRICE LABELS:

To change Price Labels, you have to remove the (3) Thumb Screws (*item 40, page 47*) from the Backup Plate Weld Assembly (*item 39, page 47*). The Backup Plate Weld Assembly can now be taken off that Vendor. Once this is done, each old Price Arrow Label may be removed so that any new price labels can be applied (just below the arrow).



LIVE DISPLAY:

The Cans of Products are held in place by a clip that hooks over the top rim of each can. The Selection Buttons are numbered left-to-right when facing the Vendor, so that when the Display is loaded, it should be done left to right, as if the door were closed.



WARNING

Make sure that the Price matches the Product in that Selection. Make sure the right products are in the right Selections, also.

LOADING INSTRUCTIONS:

CD 7 MODEL

The selections are numbered from left to right when facing the Vendor. There are seven (7) 12-ounce selections on the Vendor, with 4 pre-cool shelves on the back of the Inner Door. Each selection will hold approximately 62 cans, with each pre-cool shelf holding 13 cans.

CD 7/5 MODEL

The selections are numbered from right to left on the back of the Inner Door, and then left to right on the selections in the Vendor. Selections 1 through 5 are on the Inner Door, and are for 6-ounce cans. Selections 6 through 12 are in the Vendor and are for 12-ounce cans. The columns for 6-ounce cans hold approximately 19 cans each. Each 12-ounce selection will hold approximately 62 cans.

IMPORTANT

After loading, make sure that the products in each selection correspond to the product in the display area. Also make sure that the Vend Prices for each selection are correct.

INSTALLATION CHECK LIST:

Make certain the following steps have been taken or that these conditions exist before starting the Can Vendor.

1. All shipping brackets, packing material and tape have been removed.
2. Vendor is properly located for access to power source outlet and Vendor is level.
3. All components are installed on Vendor and are in good condition.
4. Service Cord plug-in receptacle is grounded, or ground adapter has been installed.
5. Coin Mechanism adjustments have been made, if necessary, and Vend Prices are properly set.
6. Vendor has been properly loaded and the flavors in each selection correspond to the Vend Price and the Item placed in the Display Area.

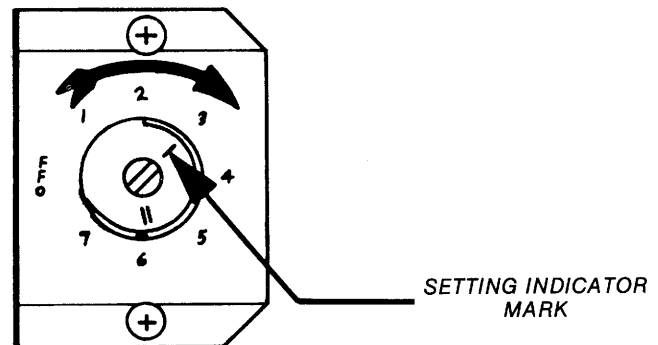
WARNING

This Vendor is equipped with a 5-amp circuit breaker to protect the Vending Circuit only. The Refrigeration System is not on this Circuit Breaker. Refer to Wiring Diagram for the position of this Circuit Breaker.

COLD CONTROL SETTING:

These Recommended Cold Control Settings are based on an average temperature, outside the Cabinet, to supply maximum cooling for inside products.

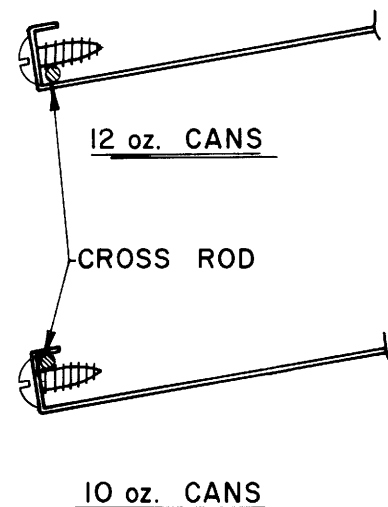
COLD CONTROL SETTING	AVERAGE ROOM TEMPERATURE
1	
2	80°F to 110°F
3	65°F to 85°F.
4	
5	
6	



INSTRUCTIONS TO CONVERT FROM 12-OZ. TO 10 OZ. CANS:

Each 12-ounce selection can be changed individually, for either 12-ounce or 10-ounce cans.

For each selection you wish to vend 10-ounce cans, remove the (2) Sheet Metal Screws from that Can Jump Guard. Lower the front of that Can Jump Guard, and replace the (2) metal screws, making sure they go below that Cross Rod.



SELECTION JUMPER:

Any Selection or Vend Mechanism may be disconnected or removed from the Vendor with the use of a Jumper Plug. The Vendor will continue to work on all Selections, except for that Selection on which the Jumper Plug is used. The Jumper Plug is inserted in the Selection Mechanism in place of the plug of the Selection Harness. With the Jumper Plug in use, the SOLD OUT Light will come on when that Selection Button is pressed.

CARE AND CLEANING:

NOTE: Always disconnect Power Source before cleaning.

CABINET EXTERIOR:

Wash with a mild detergent and water, rinse and dry thoroughly. Wax occasionally with a quality car wax. Plastic exterior parts may be cleaned with a quality plastic cleaner.

CABINET INTERIOR:

Wash with a mild detergent and water. Odors may be eliminated by including baking soda or ammonia in cleaning solution. Remove and clean Drain Hose to eliminate any deposits that may restrict condensate water flow.

The Vend Mechanisms *must* be kept clean. Any build up of syrup deposits can cause these mechanisms to malfunction. Use soap and water with great care so as not to get water into the Electrical Components.

REFRIGERATION SYSTEM:

Clean dust from Condenser and Screen in Front Door with soft bristle brush, or vacuum cleaner. Remove any dirt or debris from Refrigeration System Compartment. Remove and clean Condensation Pan.

COIN ACCEPTOR:

Remove Coin Acceptor from Coin Mechanism. Using a damp cloth, wipe down the coin paths til they are clean.

TROUBLE SHOOTING:

BASIC VENDOR:

- I. VENDOR REJECTS ALL COINS — DISPLAY LAMP OFF.
 - A. Vendor unplugged — plug in Vendor.
 - B. Fuse or Circuit Breaker tripped in Supply (building) Outlet — replace fuse, or reset Circuit Breaker.
 - C. Damaged or defective Power Cord — repair or replace Service Harness on Refrigeration System.
 - D. Green, White and Yellow wires unplugged at Refrigeration System — plug wires in.
 - E. Door Harness unplugged at Cabinet — make sure the plugs are securely locked together.
 - F. Circuit Breaker in Vendor tripped or defective — reset or replace Circuit Breaker.

- II. VENDOR REJECTS ALL COINS — DISPLAY LAMP ON.
 - A. Vend Mechanism is not in Home Position — return Vend Mechanism to Home Position.
 - B. Loose or broken wire on Vend Mechanism — fix wire or replace Harness.
 - C. Defective Coin Mechanism — repair or replace Coin Mechanism.
 - D. Vendor is not Level — Level Vendor.
 - E. Coin Acceptor dirty — clean Coin Acceptor.
 - F. Loose or broken wire to Normal Open Terminal on Full Stroke Switch — repair or replace.

- III. VENDOR ACCEPTS COINS, BUT DOES NOT VEND ANY SELECTIONS.
 - A. Selector Button stuck, causing electronic shut-down of Coin Mechanism — correct or replace Selector Button or Switch. *(for F-150 only)*
 - B. Vend prices set wrong (all too high) — set Vend prices correctly.
 - C. Door Plug(s) not completely engaged — make sure plug(s) are locked together.
 - D. Defective Coin Mechanism — repair or replace.
 - E. Selection Relay defective — replace.
 - F. Price Switches all turned off *(12-column only)* — reactivate.

- IV. VENDOR ACCEPTS COINS, BUT DOES NOT VEND ON ONE OR MORE SELECTIONS.
 - A. Vend Price set incorrectly — set Vend Price correctly.
 - B. Selection SOLD-OUT — load Selection.
 - C. SOLD-OUT Switch out of adjustment, unplugged, or defective — correct the adjustment, plug in the switch, or replace it.
 - D. Selection Switch out of adjustment or defective — readjust switch, or replace.
 - E. Loose or Broken Selection Wire — repair or replace.
 - F. Defective Coin Mechanism — repair or replace.
 - G. Price Switch turned off *(12-column only)* — reactivate.

- V. VENDOR VENDS PROPERLY, BUT PAYS BACK WRONG, OR NO CHANGE.
 - A. Vend Price set incorrectly — set price correctly.
 - B. Changer out of Change — fill Change Tubes.
 - C. Defective Coin Mechanism — repair or replace.

VI. PRODUCT DOES NOT MATCH SELECTION PUSHED.

- A. Product loaded wrong — load product correctly.
- B. Vend Mechanism plugs crossed — make sure Vend Mechanisms are plugged in correctly.
- C. Selection Switch stuck ON — make sure Selection Button moves freely.

VII. VENDOR FREE VENDS.

- A. Defective Coin Mechanism — repair or replace.
- B. Full-stroke Switch out of adjustment, or defective — readjust switch or replace.
- C. Can Jump Guard not adjusted properly — adjust Can Jump Guard correctly.

VIII. VENDOR VENDS TWO OR MORE CANS WITH ONE SELECTION.

- A. Solenoid does not make complete stroke — replace or adjust Solenoid.
- B. Can Jump Guard not adjusted properly — readjust.

REFRIGERATION SYSTEM:

Know and understand service units, and how they operate. Units may vary, but the operation is basically the same.

Never guess at the problem; solve it by reading the symptoms.

I. COMPRESSOR WILL NOT START.

- A. Voltage (check to see if compressor has power).
 - 1. Tripped breaker or blown fuse.
 - 2. Wall outlet faulty.
 - 3. Short or tear in Power Cord.
 - 4. Faulty Cold Control.
 - a. Unplug power supply, remove screws from thermostat. Use a jumper wire, or place screw through terminals; then restore power and check to see if the unit runs.
 - 5. Check for improper wiring.

II. COMPRESSOR TRIPS ON OVERLOAD.

- A. Improper Voltage (117 A.C. normal).
 - 5-10% above, 5% below.
- B. Overload defective.
 - See VIII, 2.
- C. Relay defective.
 - See VIII, 3.
- D. Compressor defective.
 - See VIII, 4.
- E. Start capacitor defective.
 - See VIII, 5.
- F. Short in other Component.
 - Isolate and eliminate each electrical component until short is found.

- G. Compressor is too hot.
 - 1. Dirty Condenser.
 - 2. Faulty Condenser motor or blade.
 - 3. Restricted air flow.

III. NOISY OR VIBRATING UNIT:

- A. Components rubbing or touching each other.
 - 1. Check fan blades and motors.
 - 2. Loose shrouds and harness.
 - 3. Copper tubing.
 - 4. Loose or unsecured parts.
- B. Grommets.
 - 1. Worn, aged.
- C. Compressor.
 - 1. Bad valves.
 - 2. Slugging.
 - 3. Bad windings. (*see Index*)
- D. Relay.
 - 1. Frozen in start position. (*see Index*)
- E. Low voltage.

IV. UNIT SHORT CYCLES.

- A. Cold Control.
 - 1. Differential set too close.
 - 2. Probe in wrong area (i.e. Touching evaporator).

V. UNIT OPERATES LONG OR CONTINUOUSLY.

- A. Thermostat faulty.
- B. Air flow restricted.
 - 1. Faulty evaporator motor or blades.
Evaporator coil iced.
 - 2. Air flow blocked by cans placed in front of evaporator.
- C. Gasket leak.
- D. Excessive load.
 - 1. After loading, units run longer to pull out excessive from product.
- E. Shortage of refrigerant or restriction.

VI. REFRIGERATED SPACE TOO WARM.

- A. Restricted evaporator air space.
 - 1. Evaporator motor or blades bad.
Evaporator will usually be iced over insulating evaporator.
 - 2. Condenser air flow restricted.
 - a. Plugged or dirty Condenser.
 - b. Condenser motor or blade bad.
 - c. Blade stuck.

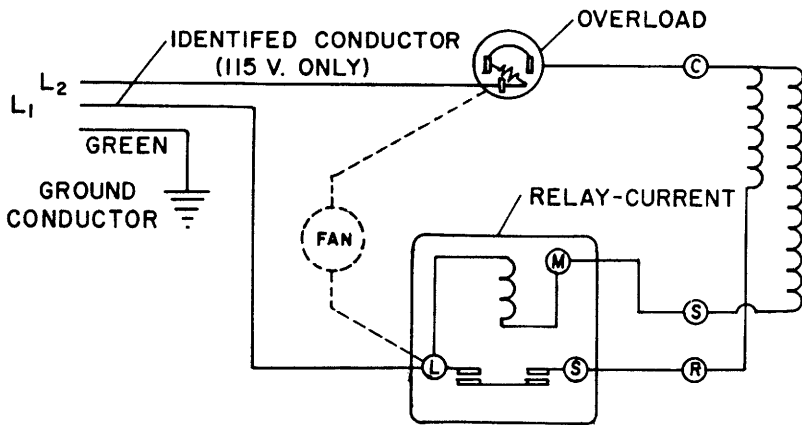
3. Condensing space restricted.
A unit placed too close to a wall.
4. Compressor - Bad valves.
5. Leak or restriction.
 - a. Cap tube will start frosting 8 to 10 inches past evaporator connection tube.
 - b. Check for oil around brazed connections.
6. Thermostat improperly set.

VII. 90% OF ALL REFRIGERATION PROBLEMS ARE ELECTRICAL — **START THERE!**

1. Rules for breaking into a sealed hermetic system:
 - A. **DON'T!** If this system was meant to be worked on outside the Factory Service Center, service valves would have been installed.
 - B. The four things that can go wrong with a sealed system and should be repaired at the Factory Service Center are:
 1. **Low Charge.** Low charges are caused usually by leaks; look for oil around seals and welds. Unit will not seal properly.
 2. **Restriction in Systems (Unit frosts, then melts).** Not cooling properly, low side in vacuum.
 3. **Bad Valves.** Unit does not cool properly; noisy compressor; high, low side — low, high side.
 4. **Oil Breakdown.** When this happens, it's ready to change compressors.
 - C. **REMEMBER. DO NOT** break into a sealed system for any reason. Send the unit to the Factory Service Center.

VIII. TROUBLE SHOOTING UNIT CIRCUITS USING OHM-VOLT METER.

1. Using volt meter, check power source.
2. Check overload. (*Note: Power must be off and fan circuit open*).
 - A. Using Ohm meter terminals 1 & 3 for continuity. If no continuity, overload may be tripped. Wait 10 minutes and try again. If still no continuity, overload is defective; replace.
3. Checking Relay: See Attachment No. 1.
 - A. Pull lead terminals or relay off the compressor, depending upon which type of relay is used. (*Note: Keep relay upright.*)
 - B. Check terminals 1 & S, or L & S. Replace relay if there is continuity.
 - C. Check terminals 1 & M, or L & M. Replace relay if there is no continuity.
4. Checking Compressor: See Attachment No. 2.
5. Checking Capacitor:
 - A. Put screwdriver across terminals of capacitor and observe spark.
 - B. Check relay terminals 1 & L with meter on R x 1 scale, if it has continuity, replace.



NO CAPACITOR

Approximate Resistance
Reading Across Terminals

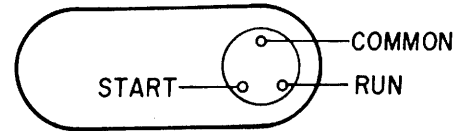
USE RXI SCALE

COMMON - Start 12 Ohms

COMMON - Run 2 Ohms

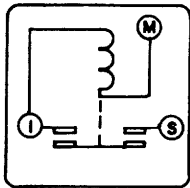
RUN - Start 14 Ohms

COMMON - Shell No
Continuity



SCHEMATIC WIRING DIAGRAM - RSIR

1. When fan is used hookup as shown
2. Identified conductor maybe white or ribbed. (115 V. ONLY)
3. Assemble parts as shown if specified on Bill of Material.



ALTERNATE NUMBERING

WARNING

WIRING DIAGRAM MUST BE FOLLOWED AS SHOWN ANY MISWIRING CAN CAUSE SERIOUS ELECTRICAL HAZARD AND POTENTIAL DAMAGE OR RUPTURE COMPONENT ELECTRICAL PARTS.

CAPACITOR

Approximate Resistance
Reading Across Terminals

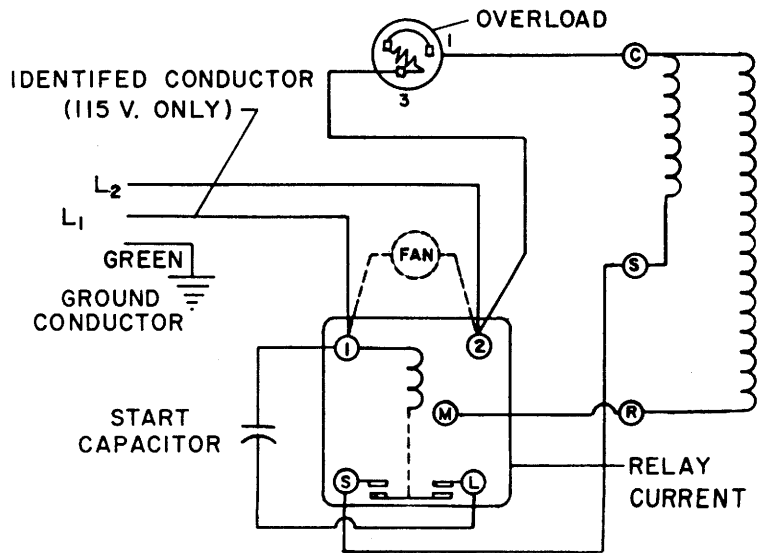
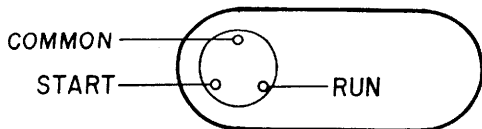
USE RXI SCALE

COMMON - Start 7 Ohms

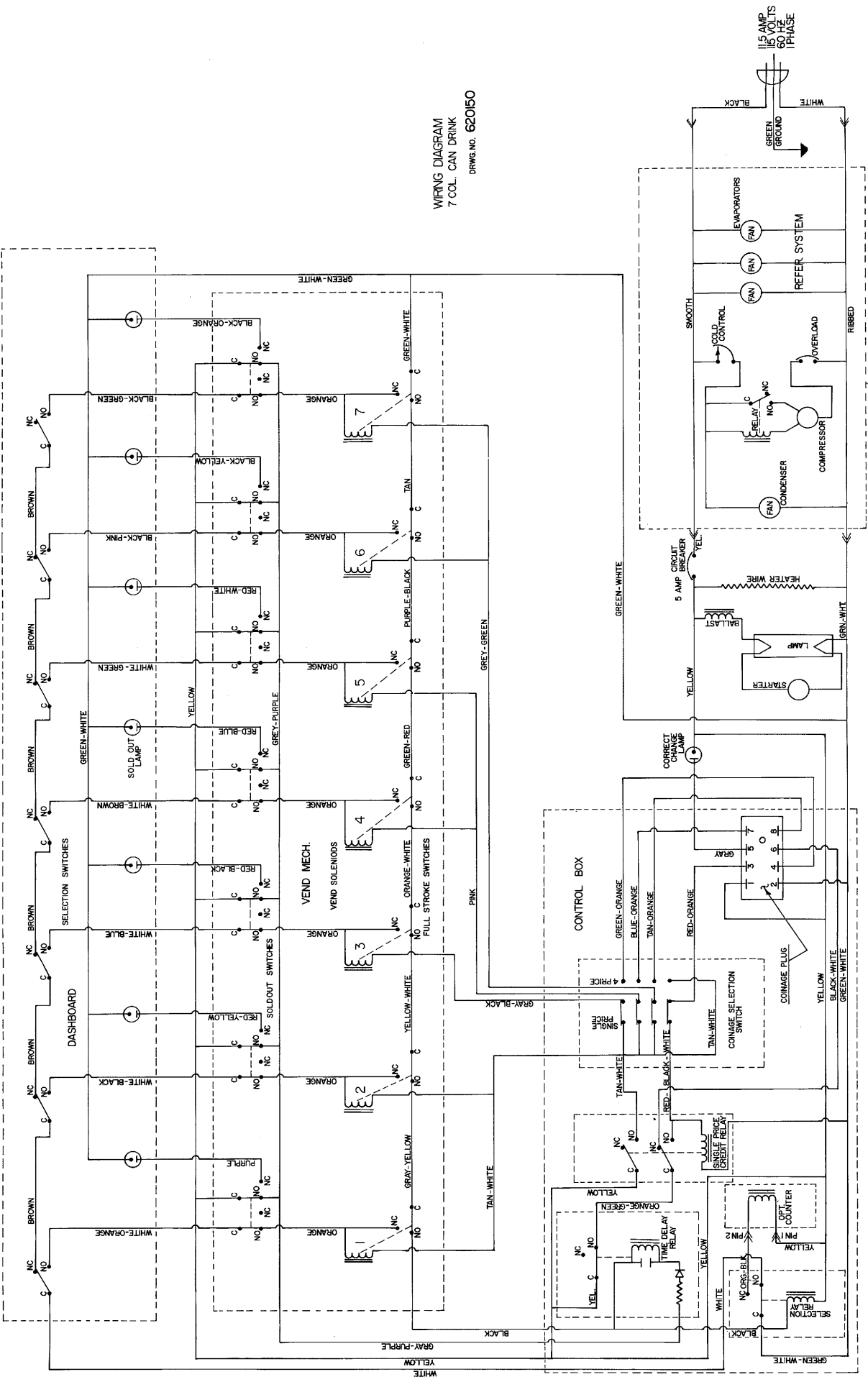
COMMON - Run 1 Ohm

RUN - Start 8 Ohms

COMMON - Shell No
Continuity



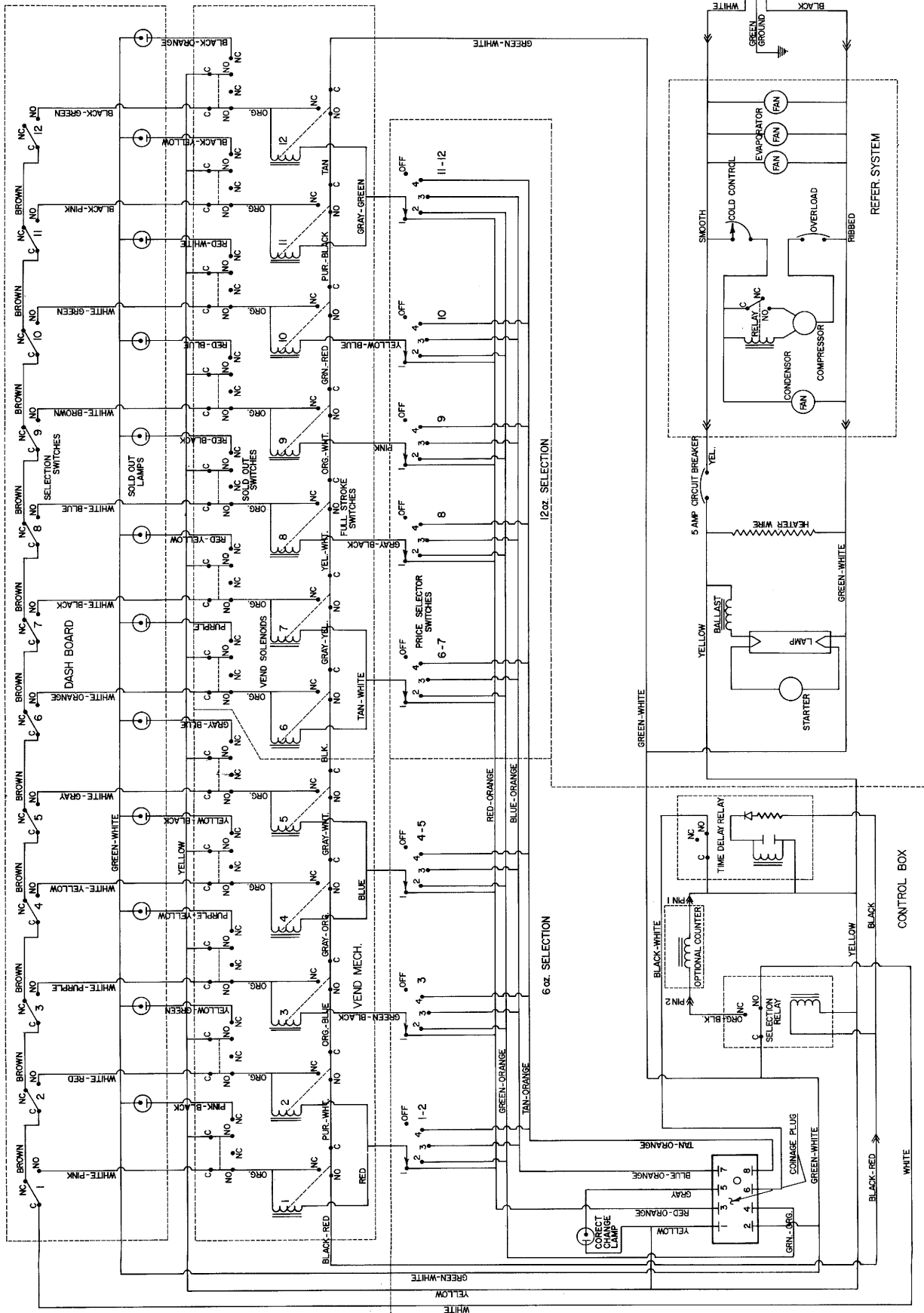
SCHEMATIC WIRING DIAGRAM - CSIR



WIRING DIAGRAM
7 COL. CAN DRINK
DRWG. NO. 620150

DRWG. NO. 620150

WIRING DIAGRAM
CAN DRINK COMBO
DRWG. NO. 620152



DRWG. NO. 620152

PARTS ORDERING PROCEDURE

When ordering parts, include the following information:

1. Shipping address.
2. Address where the invoice should be sent.
3. The number of parts required.
4. Always refer to the pertinent parts and/or service manual for the correct part number and description of a specific part.
 - a. If you do not have the right parts manual at the time you order, contact VENDO/USI, P.O. Box 488, 165 No. 10th Street, Waukee, IA 50263. They will provide a copy for you.

Don't hold the order pending receipt of the parts manual; use the most accurate description you can (and the model number and serial number of the machine); include the name of the assembly in which the part is used and, if practical, a sample part. Furnish any information which will enable our order department to pinpoint the exact part needed.
 - b. When "RIGHT" and "LEFT" are used in connection with the name of a part, it is taken to mean that the person is facing the machine.
5. Always include model number and the serial number of the machines for which the parts are needed on the order.
6. List any special shipping instructions.
 - a. Always note on the order if you require air or air special, truck, parcel post, or rail. If a specific carrier is desired, note it on the order.
7. Sign the order and note the date entered on the order.
8. When a purchase order number is used, be sure that it is legible and visible.

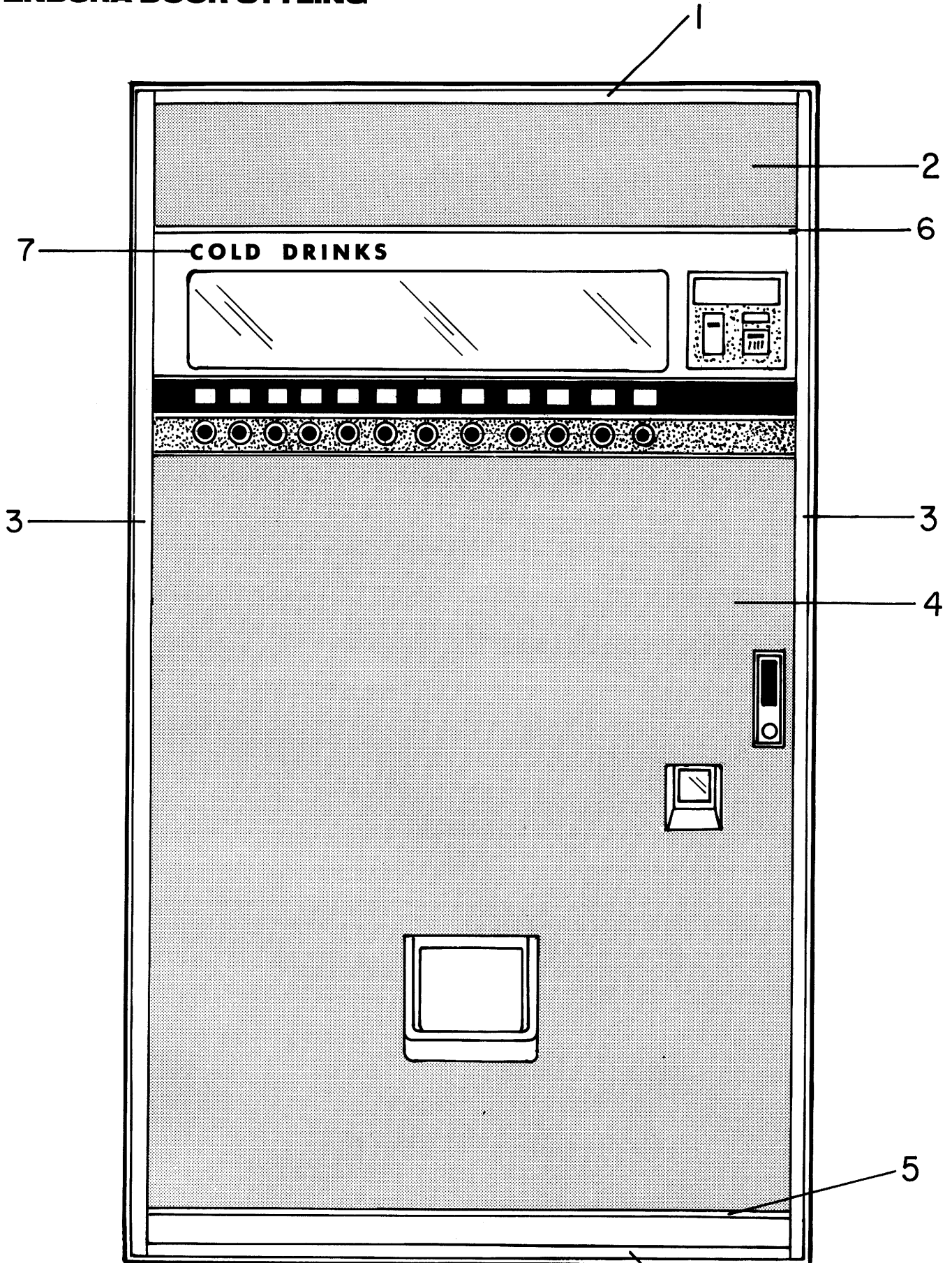
Mail your order to:

VENDO/USI
P. O. Box 488
165 North 10th Street
Waukee, Iowa 50263

All orders are carefully packed and inspected prior to shipment. Damage incurred during shipment should be reported at once and a claim filed with the terminating carrier.

Notes

VENDURA DOOR STYLING



P/N 210069-000 WALNUT
P/N 210069-001 TEAK

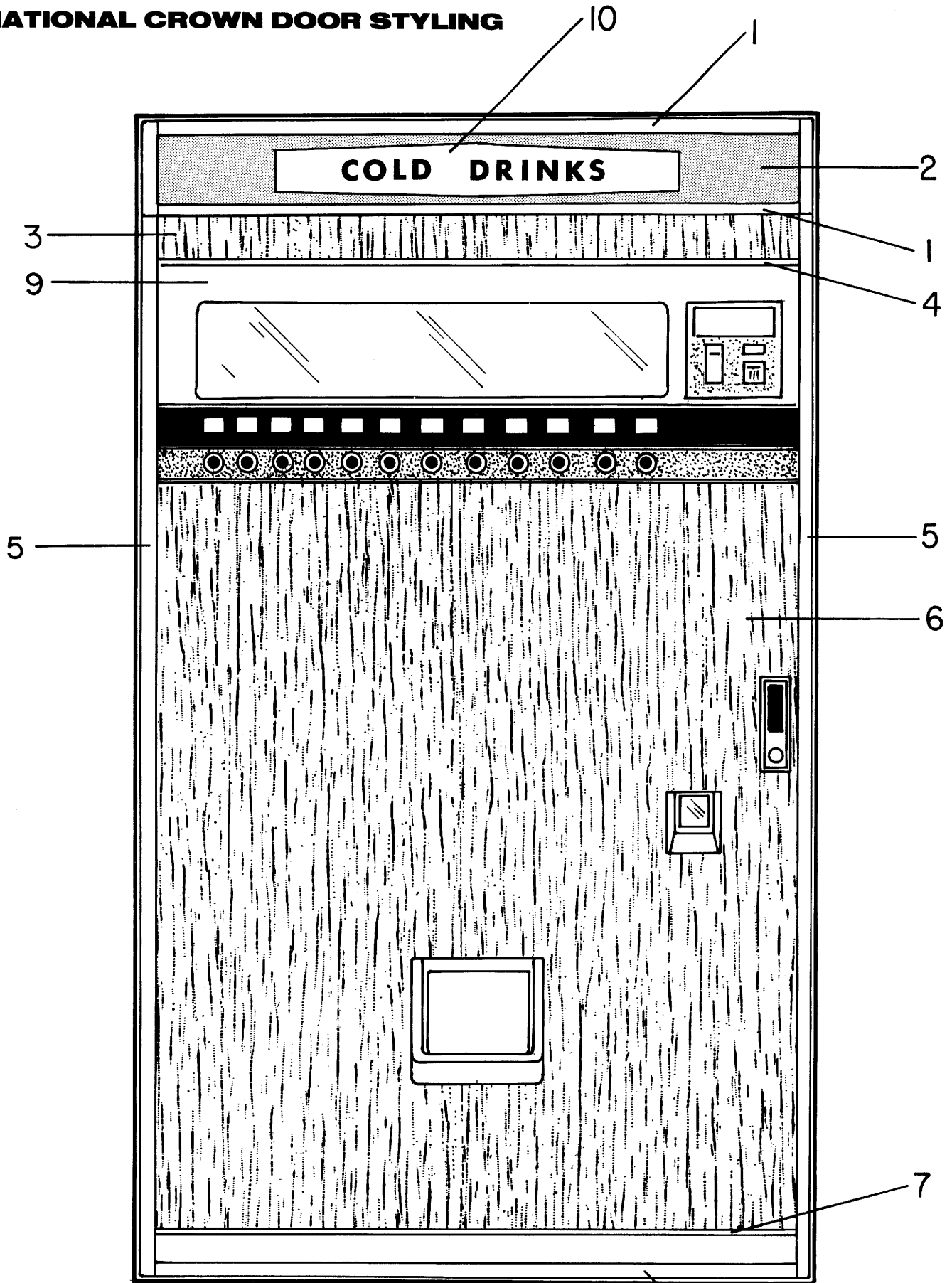
P/N 210040-000 WALNUT
P/N 210040-001 TEAK

VENDURA DOOR STYLING

Item	Part No.	CD 7	CD 7/5	Description
1	210040-000	1	1	Outer Door Final Assembly - Vendura Walnut
2	210069-000	2	2	Outer Door Final Assembly - Vendura Walnut
3	380744-001	1	1	Trim
4	620121-101	2	2	Outer Door Panel - Upper
5	380744-000	1	1	Trim
6	620075-101	1	1	Outer Door Panel - Lower
7	382273-004	1	1	Lower Door Panel Trim
8	379541-002	1	1	Trim Center
9	379643-1	1	1	Product Identification Strip -Cold Drink
10	50724	15	15	#8 -32x3/8 T-Bolt (Not Shown)
	50513	15	15	#8 -32x3/8 Twin Whiz Nut (Not Shown)
	210040-XXX	1	1	Outer Door Assembly (Not Shown)
	210069-XXX	1	1	Outer Door Assembly (Not Shown)

Item	Part No.	CD 7	CD 7/5	Description
1	210040-001	1	1	Outer Door Final Assembly - Vendura Teak
2	210069-001	2	2	Outer Door Final Assembly - Vendura Teak
3	380744-001	1	1	Trim
4	620121-109	2	2	Outer Door Panel - Upper
5	380744-000	1	1	Trim
6	620075-109	1	1	Outer Door Panel - Lower
7	382273-004	1	1	Lower Door Panel - Trim
8	379541-002	1	1	Trim Center
9	379643-1	1	1	Product Identification Strip - Cold Drink
10	50724	15	15	#8 - 32x3/8 T-Bolt (Not Shown)
	50513	15	15	#8 - 32x3/8 Twin Whiz Nut (Not Shown)
	210040-XXX	1	1	Outer Door Assembly (Not Shown)
	210069-XXX	1	1	Outer Door Assembly (Not Shown)

NATIONAL CROWN DOOR STYLING

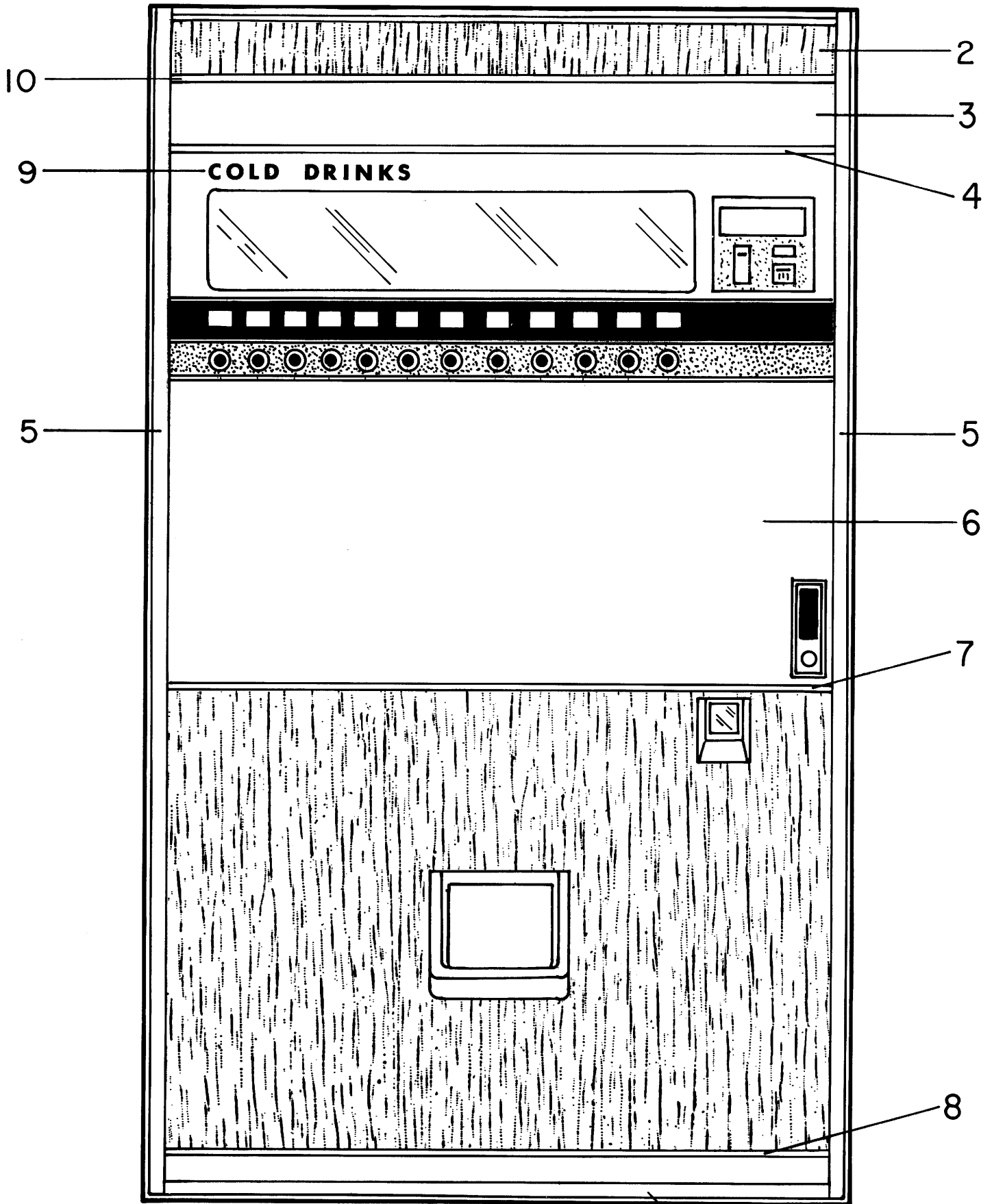


- P/N 210069-002 (With Bubble)
- P/N 210069-003 (Without Bubble)
- P/N 210040-002 (With Bubble)
- P/N 210040-003 (Without Bubble)

NATIONAL CROWN DOOR STYLING

Item	Part No.	CD7	CD7/5	Description
1	210040-003	1	1	Outer Door Final Assembly - National Crown without Bubble
3	210069-003	1	1	Outer Door Final Assembly - National Crown without Bubble
4	380744-00	3	3	Trim
5	620121-201	1	1	Outer Door Panel - Upper (w/o Bubble Only)
6	379541-002	1	1	Trim Center
7	380744-000	2	2	Trim
8	620075-101	1	1	Outer Door Panel - Lower
9	382273-004	1	1	Lower Door Panel Trim
10	379643-1	1	1	Product Identification Strip - Cold Drink
11	50724	18	18	#8 - 32x3/8 T-Bolt (Not Shown)
12	50513	18	18	#8 - 32x3/8 Twin Whiz Nut (Not Shown)
13	210040-XXX	1	1	Outer Door Final Assembly (Not Shown)
	210069-XXX	1	1	Outer Door Assembly (Not Shown)
	210040-002		1	Outer Door Final Assembly - National Crown with Bubble
	210069-002	1	1	Outer Door Final Assembly - National Crown with Bubble
1	380744-001	3	3	Trim
2	361590-6	1	1	Frame Sign (with Bubble Only)
3	620121-601	1	1	Outer Door Panel - Upper
4	379541-002	1	1	Trim Center
5	380744-000	2	2	Trim
6	620075-101	1	1	Outer Door Panel - Lower
7	382273-004	1	1	Lower Door Panel Trim
10	361589	1	1	Sign Face (with Bubble Only)
11	50724	18	18	#8 - 32x3/8 T-Bolt (Not Shown)
12	50513	18	18	#8 - 32x3/8 Twin Whiz Nut (Not Shown)
13	210040-XXX	1	1	Outer Door Final Assembly (Not Shown)
	210069-XXX	1	1	Outer Door Assembly (Not Shown)

ROWE DOOR STYLING



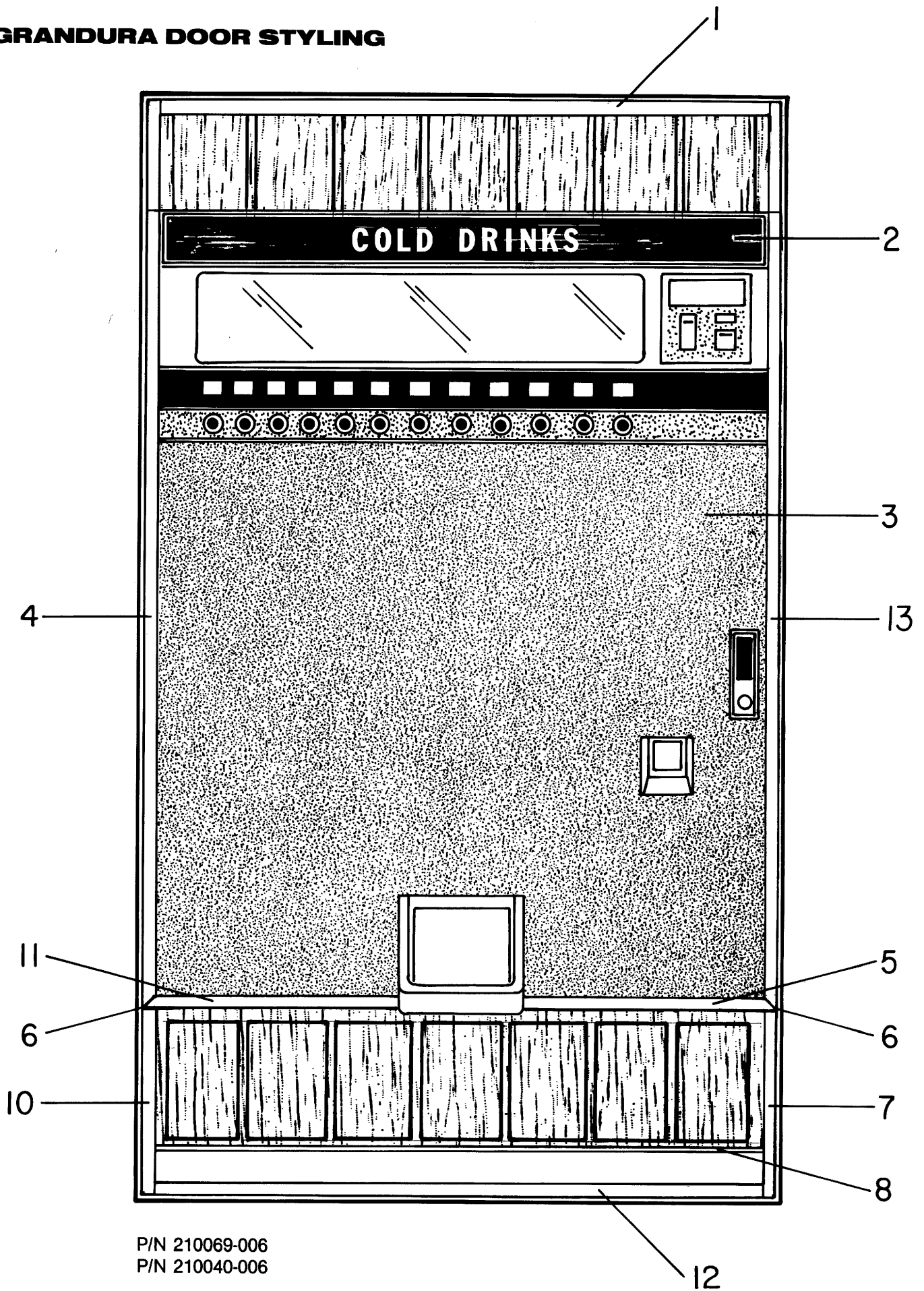
P/N 210069-004
P/N 210040-004

ROWE DOOR STYLING

Item	Part No.	CD7	CD7/5	Description
1	210040-004		1	Outer Door Final Assembly - Rowe Award
2	210069-004	1	1	Outer Door Final Assembly - Rowe Award
3	380743-004	1	1	Trim
4	123094-006	1	1	Vinyl Panel Assembly
5	130880-002	1	1	Vinyl Panel Assembly
6	379541-002	1	1	Trim Center
	380742-004	2	2	Trim
	210092-001	1	1	Lower Panel Vinyl Assembly

Item	Part No.	CD7	CD7/5	Description
7	362964-029	1	1	Trim
8	382273-004	1	1	Lower Door Panel Trim
9	379643-1	1	1	Product Identification Strip - Cold Drink
10	362965-010	1	1	Trim
11	210040-XXX	1	1	Outer Door Assembly (Not Shown)
	210069-XXX	1	1	Outer Door Assembly (Not Shown)
12	50724	18	18	#8 - 32x3/8 T-Bolt (Not Shown)
13	50513	18	18	#8 - 32x3/8 Twin Whiz Nut (Not Shown)

GRANDURA DOOR STYLING

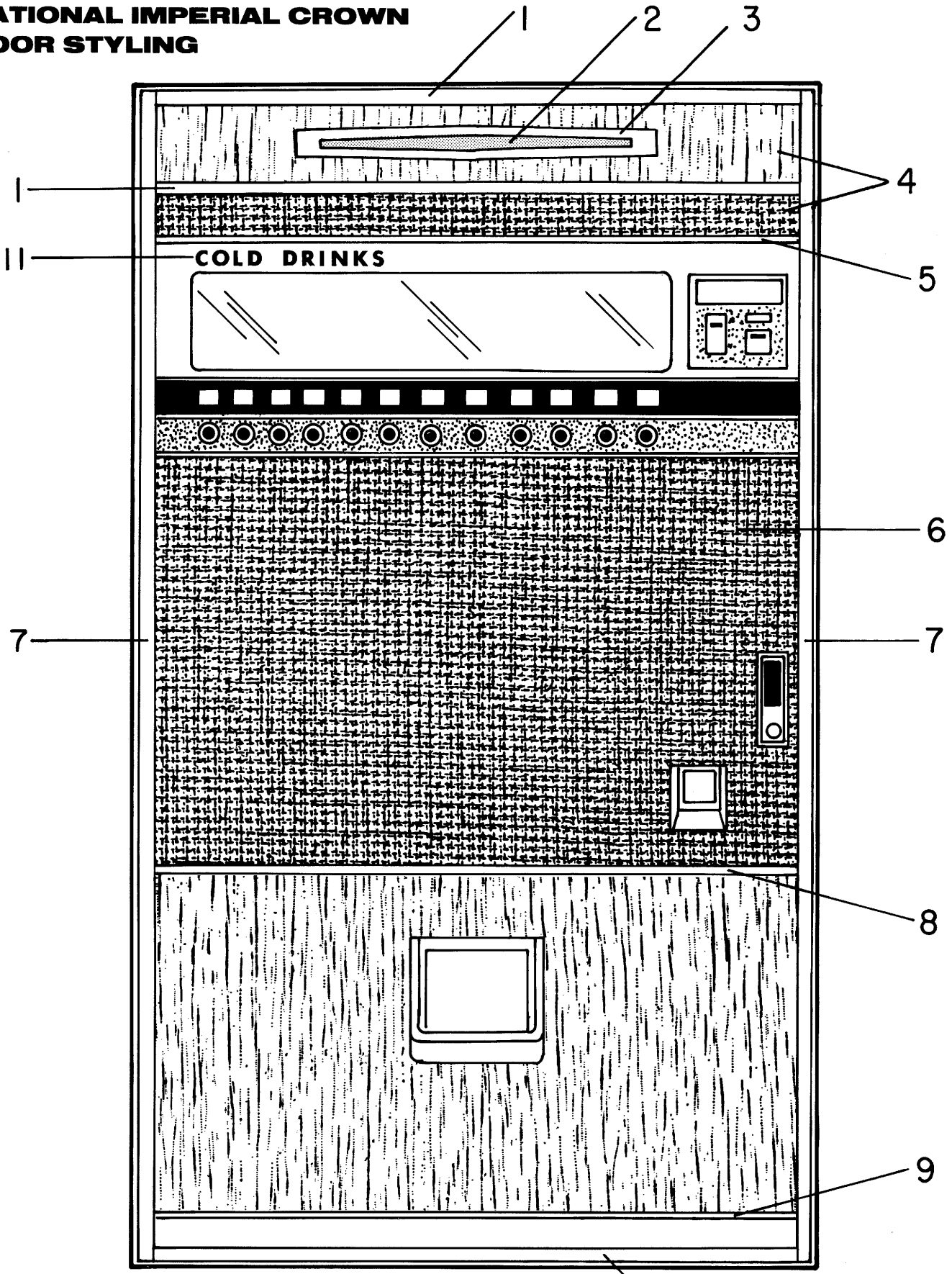


GRANDURA DOOR STYLING

Item	Part No.	CD7	CD7/5	Description
1	210069-006	1		Outer Door Final Assembly - Grandura
2	210040-006	1	1	Outer Door Final Assembly - Grandura
3	620178	1	1	Upper Panel Door
4	620188	1	1	Lower Front Retainer
5	210091	1	1	Lower Panel Vinyl Assembly
6	379549-002	1	1	Trim
7	379549-014	1	1	Trim
8	333967-5	2	2	Angle Corner
9	379545-011	1	1	Trim
10	382273-004	1	1	Lower Door Panel Trim
11	210040-XXX	1	1	Outer Door Assembly (Not Shown)
	210069-XXX	1	1	Outer Door Assembly (Not Shown)
	379545-012	1	1	Trim
	379549-013	1	1	Trim

Item	Part No.	CD7	CD7/5	Description
12	379545-010	1	1	Trim
13	379549-001	1	1	Trim
14	V801204	3	3	#10 - 16x3/8 Truss Hd. Tapping Screw & Lock Washer (Not Shown)
15	V801322	7	7	#8 - 18x1/2 Pan Hd. Tapping Screw (Not Shown)
16	50724	13	13	#8 - 32x3/8 T-Bolt (Not Shown)
17	50513	13	13	#8 - 32x3/8 Twin Whiz Nut (Not Shown)
18	V801203	3	3	#10 - 16x5/16 Steel Plated Truss Hd. Tapping Screw (Not Shown)
19	VM5109	3"	3"	Double Sided Tape (Not Shown)

**NATIONAL IMPERIAL CROWN
DOOR STYLING**



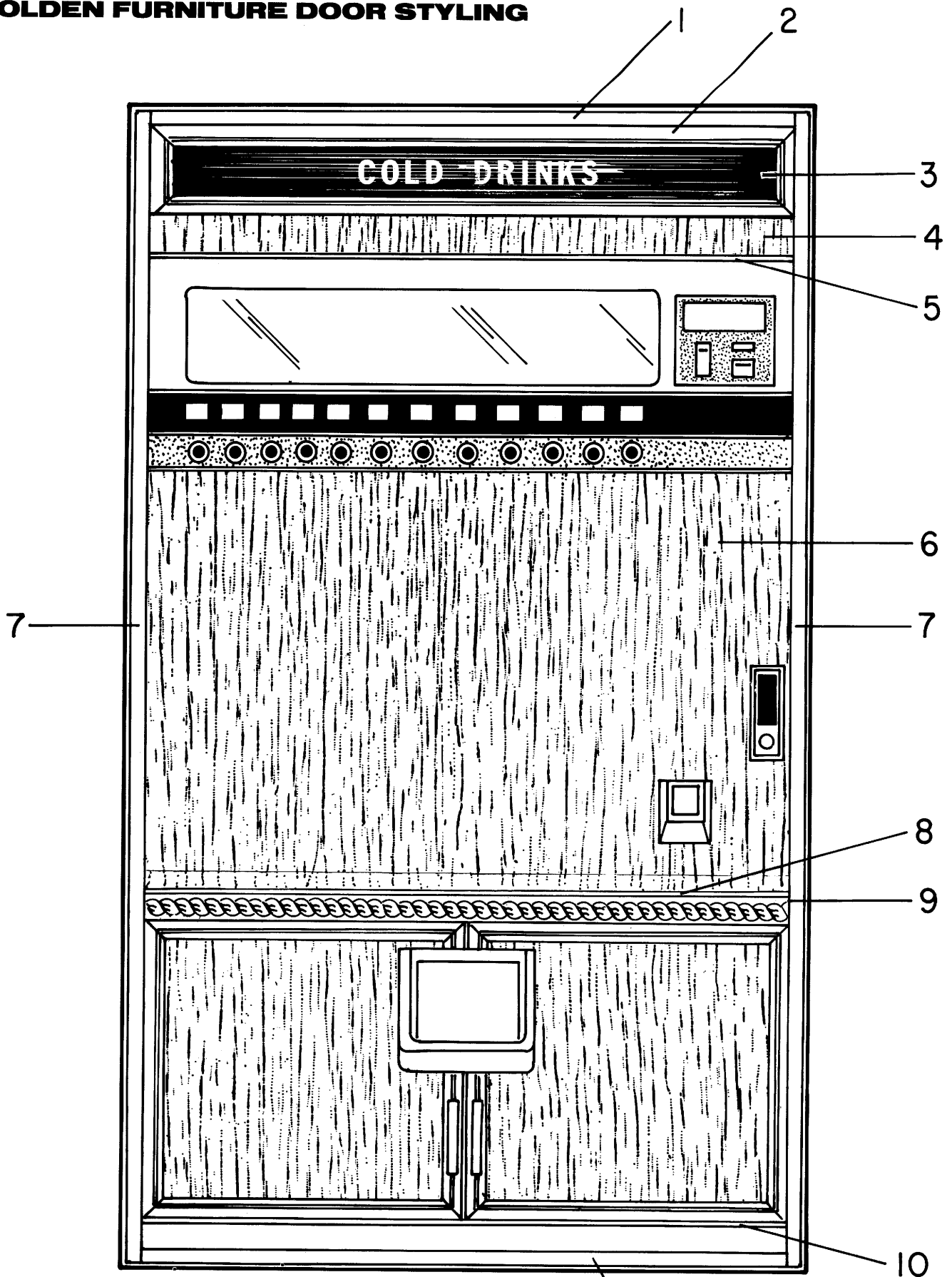
P/N 210069-008 WITHOUT BUBBLE
P/N 210040-008 WITHOUT BUBBLE
P/N 210069-007 WITH BUBBLE
P/N 210040-007 WITH BUBBLE

NATIONAL IMPERIAL CROWN DOOR STYLING

Item	Part No.	CD7	CD7/5	Description
1	210040-007	1	1	Outer Door Final Assembly - Imperial Crown with Bubble
2	210069-007	1	1	Outer Door Final Assembly - Imperial Crown with Bubble
3	380742-011	2	2	Trim
4	382178	1	1	Strip Upper
5	382177	1	1	Frame
6	130586-5	1	1	Upper Panel Vinyl Assembly
7	379541-002	1	1	Trim
8	210088	1	1	Lower Panel Vinyl Assembly
9	380742-004	2	2	Trim
10	362964-029	1	1	Trim
11	382273-004	1	1	Lower Panel Door Trim
12	380743-004	1	1	Trim
13	379643-1	1	1	Product Identification Strip - Cold Drink
14	210040-XXX	1	1	Outer Door Final Assembly (Not Shown)
15	210069-XXX	1	1	Outer Door Assembly (Not Shown)
	50724	24	24	#8 - 32x3/8 T-Bolt (Not Shown)
	50513	24	24	#8 - 32x3/8 Twin Whiz Nut (Not Shown)
	50423	4	30	#8x3/8 Phil Pan HO S.M.S. (Not Shown)

Item	Part No.	CD7	CD7/5	Description
	210040-008		1	Outer Door Final Assembly - Imperial Crown without Bubble
	210069-008	1	1	Outer Door Final Assembly - Imperial Crown without Bubble
1	380742-011	2	2	Trim
4	130586-7	1	1	Upper Panel Vinyl Assembly
5	379541-002	1	1	Trim - Center
6	210088	1	1	Lower Panel Vinyl Assembly
7	380742-004	2	2	Trim
8	362964-029	1	1	Trim
9	382273-004	1	1	Lower Panel Door Trim
10	380743-004	1	1	Trim
11	379643-1	1	1	Product Identification Strip - Cold Drink
12	210040-XXX	1	1	Outer Door Final Assembly (Not Shown)
	210069-XXX	1	1	Outer Door Assembly (Not Shown)
	50724	24	24	#8 - 32x3/8 T-Bolt (Not Shown)
	50513	24	24	#8 - 32x3/8 Twin Whiz Nut (Not Shown)
	50513	24	24	#8 - 32x3/8 Twin Whiz Nut (Not Shown)

GOLDEN FURNITURE DOOR STYLING

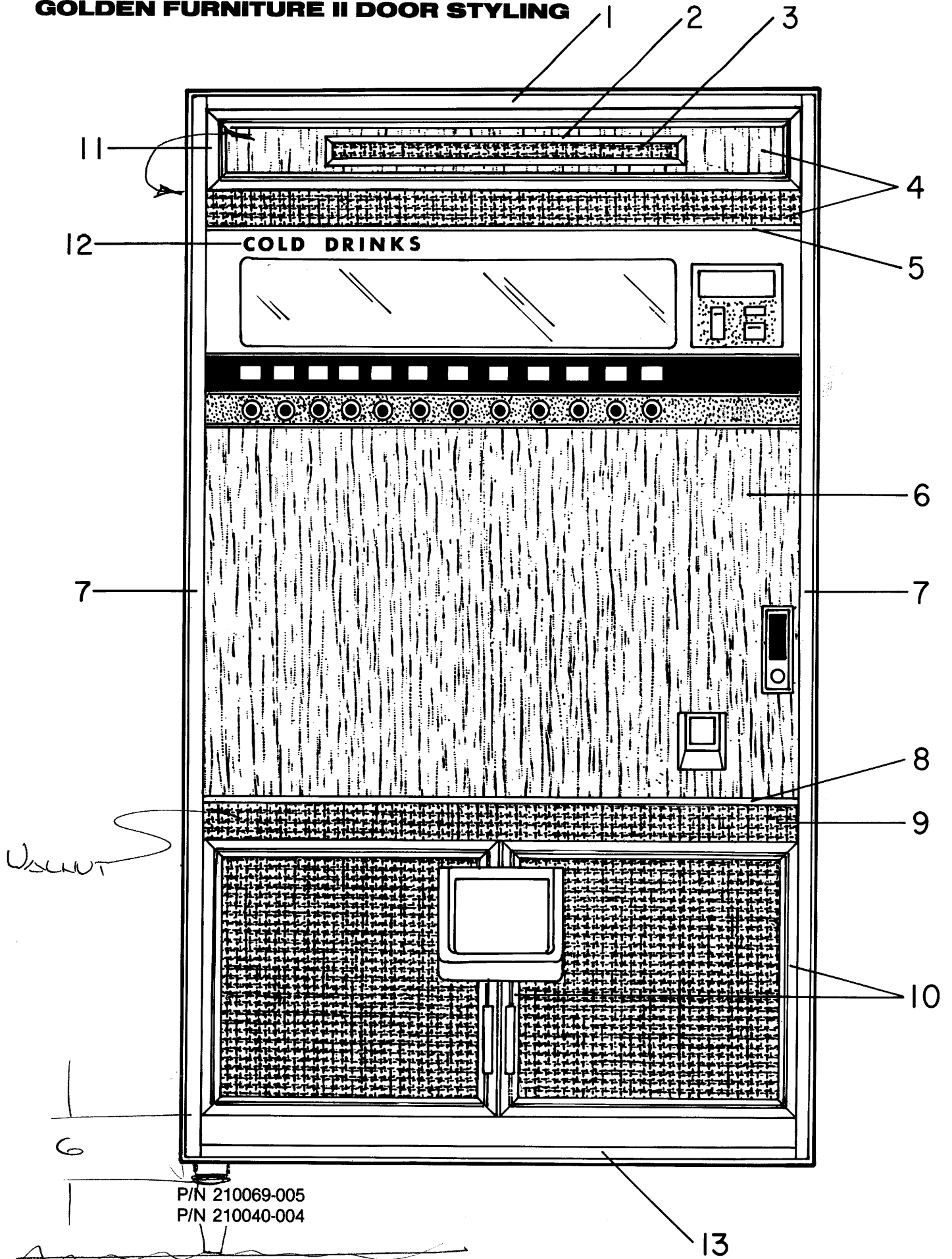


P/N 210069-009
P/N 210040-009

GOLDEN FURNITURE DOOR STYLING

Item	Part No.	CD7	CD 7/5	Description
1	210040-009		1	Outer Door Final Assembly Golden Furniture
2	210069-009	1		Outer Door Final Assembly Golden Furniture
3	379574-017	2	2	Trim
4	376428-001	1	1	Sign Frame
5	376418-12	1	1	Strip Product Identification
6	620121-601	1	1	Outer Door Panel Upper
7	379541-002	1	1	Trim Center
8	210105	1	1	Lower Panel Silk Screen Assembly
	379574-016	2	2	Trim
	376406-004	1	1	Trim
Item	Part No.	CD7	CD 7/5	Description
9	376417-010	1	1	Strip Lower Trim
10	382273-004	1	1	Lower Door Panel Trim
11	210040-XXX	1	1	Outer Door Assembly (Not Shown)
12	210069-XXX	1	1	Outer Door Assembly (Not Shown)
13	50774	24	24	#8 - 32x3/8 T-Bolt (Not Shown)
14	50513	28	28	#8 - 32x3/8 Twin Whiz Nut (Not Shown)
15	50423	6	6	#8x3/8 Phil Pan Hd. S.M.S.
	V801318	4	4	#8 - 32x1/2 Flat Hd. Machine Screw (Not Shown)

GOLDEN FURNITURE II DOOR STYLING

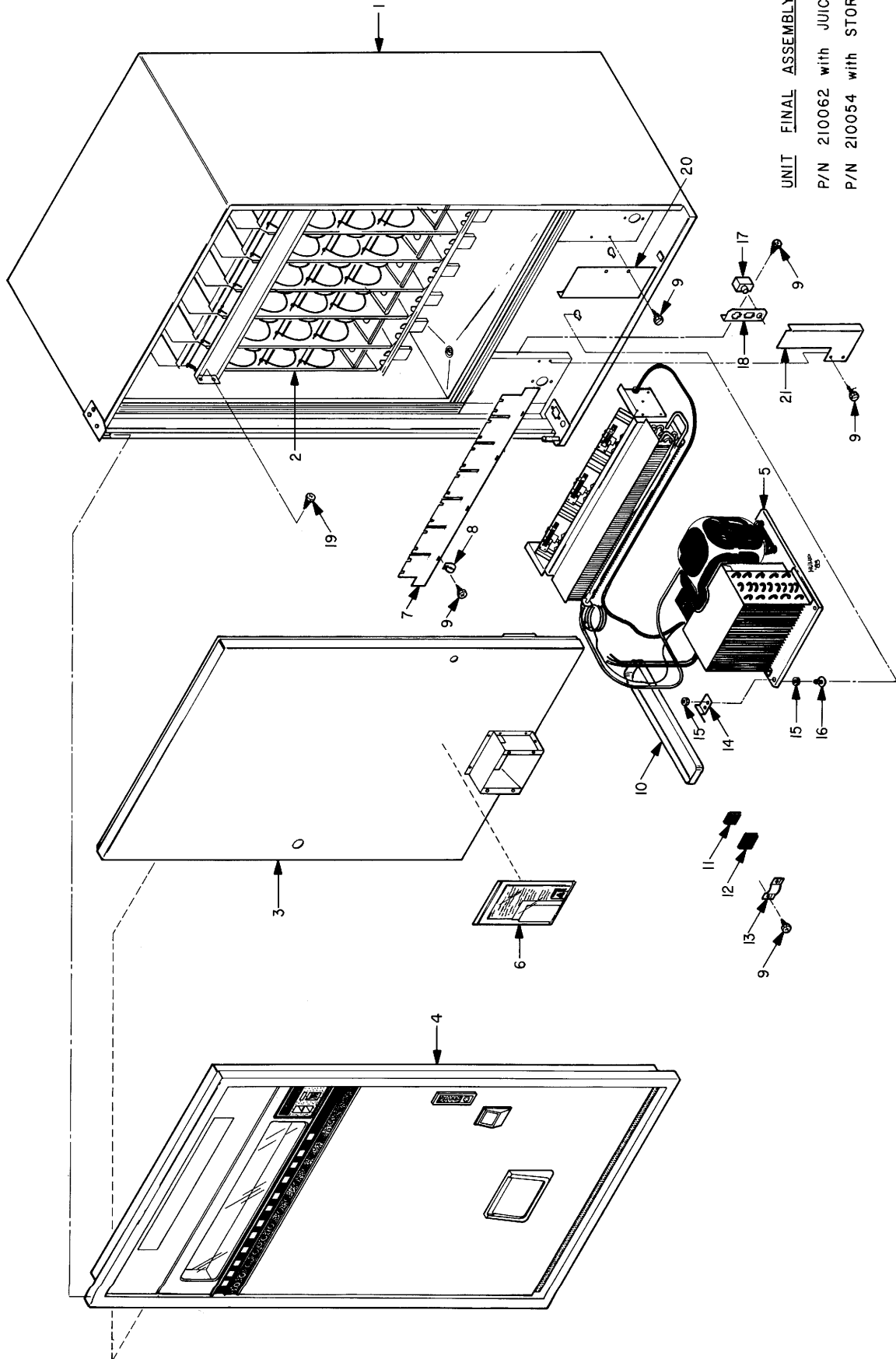


P/N 210069-005
P/N 210040-004

GOLDEN FURNITURE II DOOR STYLING

Item	Part No.	CD7	CD 7/5	Description
1	210040-005		1	Outer Door Final Assembly - Golden Furniture II
2	210069-005	1		Outer Door Final Assembly - Golden Furniture II
3	380742-021	1	1	Trim
4	382121	1	1	Wood Frame Center
5	382118	1	1	Center Strip
6	130532-2	1	1	Upper Panel Vinyl Assembly
7	379541-002	1	1	Trim Center
8	210089	1	1	Lower Panel Vinyl Assembly
	380743-018	2	2	Trim
	376406-001	1	1	Center Trim
9	130531-7	1		Strip Trim Insert
10	382126	1	1	Wood Frame - Bottom
11	382126-2	1	1	Wood Frame - Upper
12	379643-1	1	1	Product Identification Strip -- Cold Drink
13	380743-008	1	1	Trim
14	210040-XXX	1	1	Outer Door Assembly (Not Shown)
15	210069-XXX	1	1	Outer Door Assembly (Not Shown)
16	50724	15	15	#8 - 32x3/8 T-Bolt (Not Shown)
17	50518	19	19	#8 --32x3/8 Whiz Nut (Not Shown)
18	50423	30	6	#8 x 3/8 Phil Pan Hd. S.M.
	V801318	4	4	#8 - 32x1/2 Flat Hd. Machine Screws

UNIT FINAL ASSEMBLY

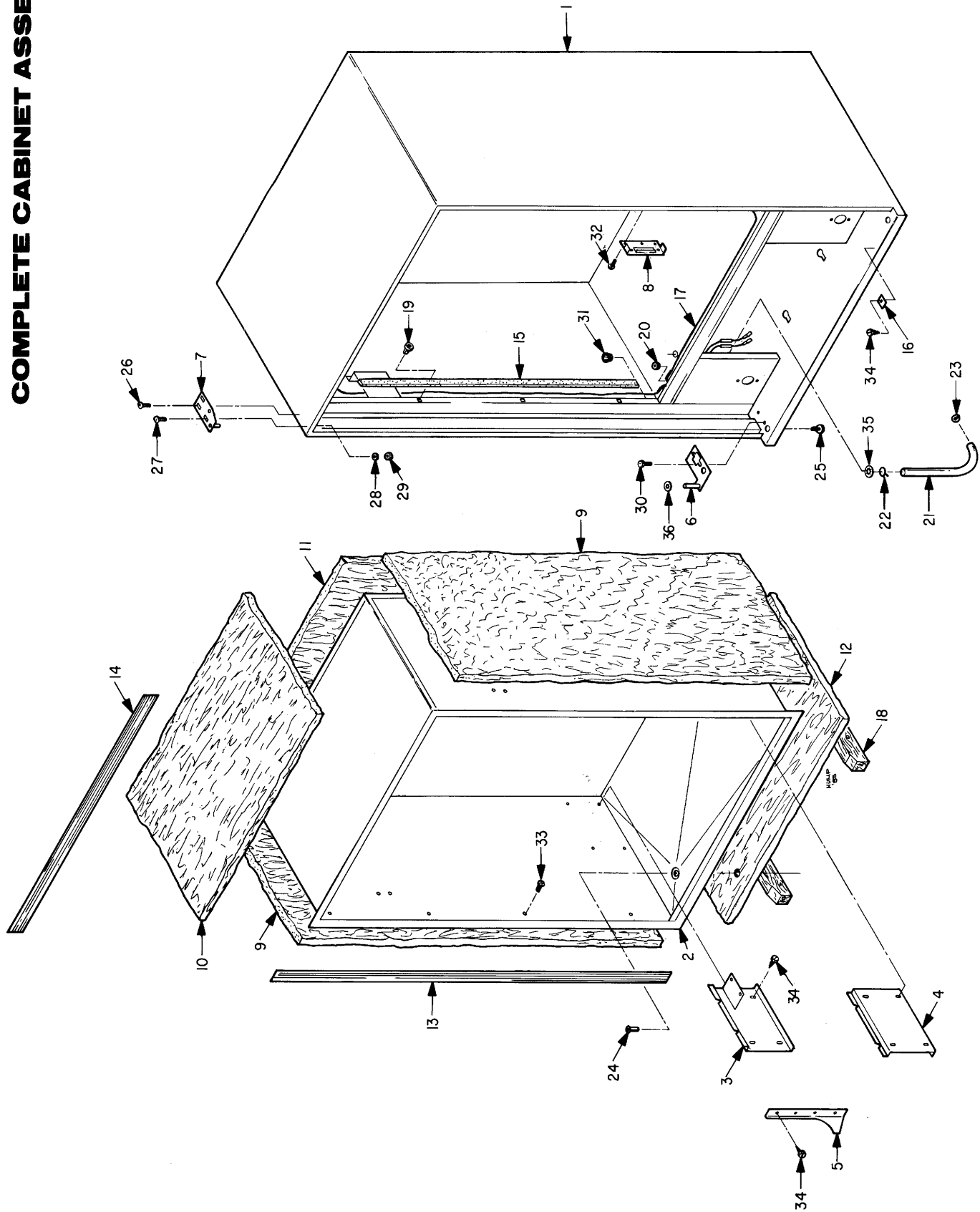


UNIT FINAL ASSEMBLY
P/N 210062 with JUICE STACKS
P/N 210054 with STORAGE SHELVES

UNIT FINAL ASSEMBLY

Item	Part No.	CD7	CD7/5	Description	Item	Part No.	CD7	CD7/5	Description
1	210049	1	1	Complete Cabinet Assembly	22	210078	1		Complete Wiring Assembly to Main Plant
2	210042	1	1	Complete Can Rack Assembly		620003	1		Display Light Harness
3	210043	1	1	Inner Door Final Assembly		129777	1		Correct Change Harness
4	210041	1	1	Inner Door Final Assembly		620132	1		Door Harness
	210040-XXX			Outer Door Final Assembly		620133	6		Selector Jumper Harness
				- XXX is noted at end		620136		1	Control Box Harness
				of Bill of Material in the Door Styling		210084		1	Complete Wiring Assembly to Main Plant
5	210069-XXX	1	1	Outer Door Final Assembly	22	620003		1	Display Light Harness
6	210072	1	1	Chassis Refrigeration Complete 1/2 H.P.		129777		1	Correct Change Harness
	210080	1	1	Service Package		620132		1	Door Harness
	358425	1	1	Folder Plastic		620133	11		Selector Jumper Wires
	620157	15	15	Price Arrow		620134	1		Juice Control Box Harness
	1620154	1	1	Price Label Blank - 45¢		620135		1	Control Box Harness
	1620155	1	1	Price Label - 50¢ - 75¢	23	210079	1		Complete Wiring Assembly to Sub-Assembly Plant
7	620112	1	1	Air Baffle					Cabinet Harness
8	60116	1	1	Plastic Wire Clamp 3/8		620130	1		Trip Mechanism Harness
9	50202	12	12	#8 - 18x1/2 Phil./Hex Washer Hd. Tek		619131	7		Orange Jumper Wires
10	20-0623-000	1	1	Drain Pan		20-0496-003	7		Service Harness
11	20-0407-000	1	1	Seal, Refrigeration Tube		33-2501-000	1		Complete Wiring Assembly to Sub-Assembly Plant
12	20-0407-001	1	1	Seal, Refrigeration Tube	23	210085		1	Cabinet Harness
13	20-0156-000	1	1	Cover, Refrigeration Tube					Trip Mechanism Harness
14	20-1925-000	1	1	Anchor Clip		620130		1	Orange Jumper Wires
15	50066	4	4	5/16 - 18 Hex Nut		620131		12	Service Harness
16	50065	2	2	5/16 - 18x1/4 Carriage Bolt		20-0496-003		12	Complete Wiring Assembly to Sub-Assembly Plant
17	33620	1	1	5-amp Circuit Breaker		33-2501-000		1	Cabinet Harness
18	25-0119-000	1	1	Bracket, Connector & Fuse Mount		34206		5	Trip Mechanism Harness
19	20-0468-001	4	4	#10x1" Phil. Truss Hd. S.M.S.					Orange Jumper Wires
20	620183	1	1	Front Air Baffle - Right					Service Harness
21	620184	1	1	Front Air Baffle - Left					Juice Stack Harness

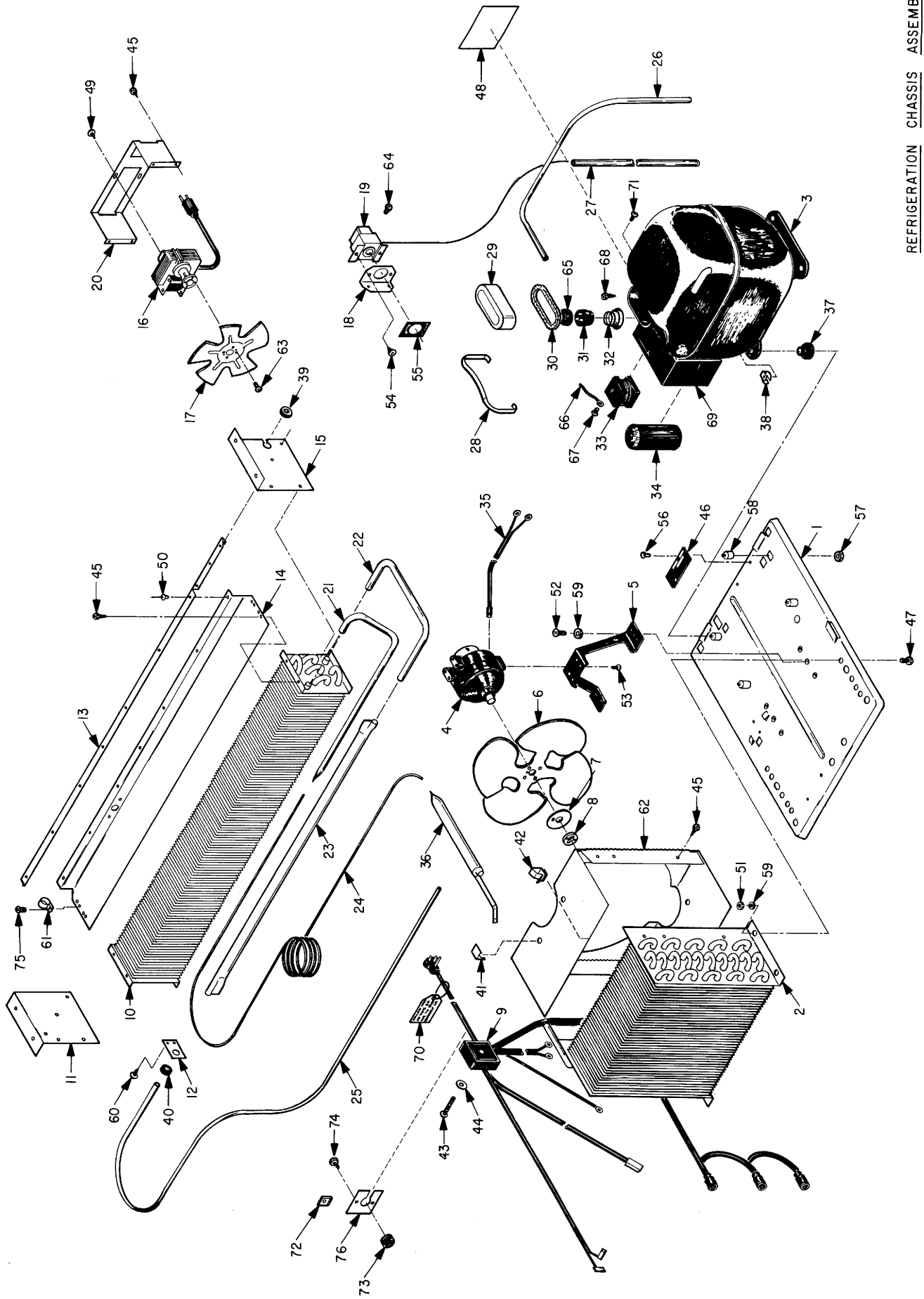
COMPLETE CABINET ASSEMBLY



COMPLETE CABINET ASSEMBLY

Item	Part No.	No. Req'd.	Description	Item	Part No.	No. Req'd.	Description
1	210049	1	Complete Cabinet Assembly	20	33683	1	Strain Relief Bushing
2	210045	1	Cabinet Weld Assembly	21	25410	1	1/2" I.D. x 1/16" O.D. x 17" long Mayon Tubing
3	210037	1	Cabinet Liner Weld Assembly	22	20-0341-000	1	Tube Clip
4	210065	1	Can Rack Support Weld Assembly - Left	23	60411	1	Drain Tube Screen
5	210066	1	Can Rack Support Weld Assembly - Right	24	10-0042-000	1	Drain Tube
6	20-1743-000	3	Can Rack Support	25	60310	4	Leg Leveler
7	210071	1	Lower Hinge Stake Assembly	26	50099	1	5/16-18x3/4 Carriage Bolt
8	210044	1	Upper Hinge Stake Assembly	27	V44096	2	5/16-18x1 1/4 Carriage Bolt
9	384283	1	Cabinet Latch	28	18-6148-000	3	5/16 Lock Washer
10	8878-001	2	Cabinet Insulation - Sides	29	50066	3	5/16 Hex Nut
11	8881-001	1	Cabinet Insulation - Top	30	50072	2	5/16-18x3/4 Hex Hd. Bolt
12	20-0952-007	1	Cabinet Insulation - Back	31	20-0274-004	4	Snap Bushing .562 Hole
13	8877-001	1	Cabinet Insulation - Bottom	32	33-2235-000	2	#1/4 - 20x7/17 Phil. Truss Hd. Taprite
14	20-1475-014	2	Breaker Strip - Sides	33	20-0468-001	9	#10x1" Phil. Truss Hd. S.M.S.
15	20-1475-013	2	Breaker Strip - Top & Bottom	34	50202	25	#8 - 18x1/2 Phil./Hex Washer Hd. Tek
16	96-0247-000	1	15 1/2" A-Frame Gasket	35	50767	1	Plastic Washer
17	25610	1	Door Glide	35	620201	1	Drain Tube Keeper
18	33-4795-002	1	Heater Wire				
19	620120	2	Liner Support - Wood				
	09-0004-300	13	Plastic Grommet				

REFRIGERATION CHASSIS ASSEMBLY

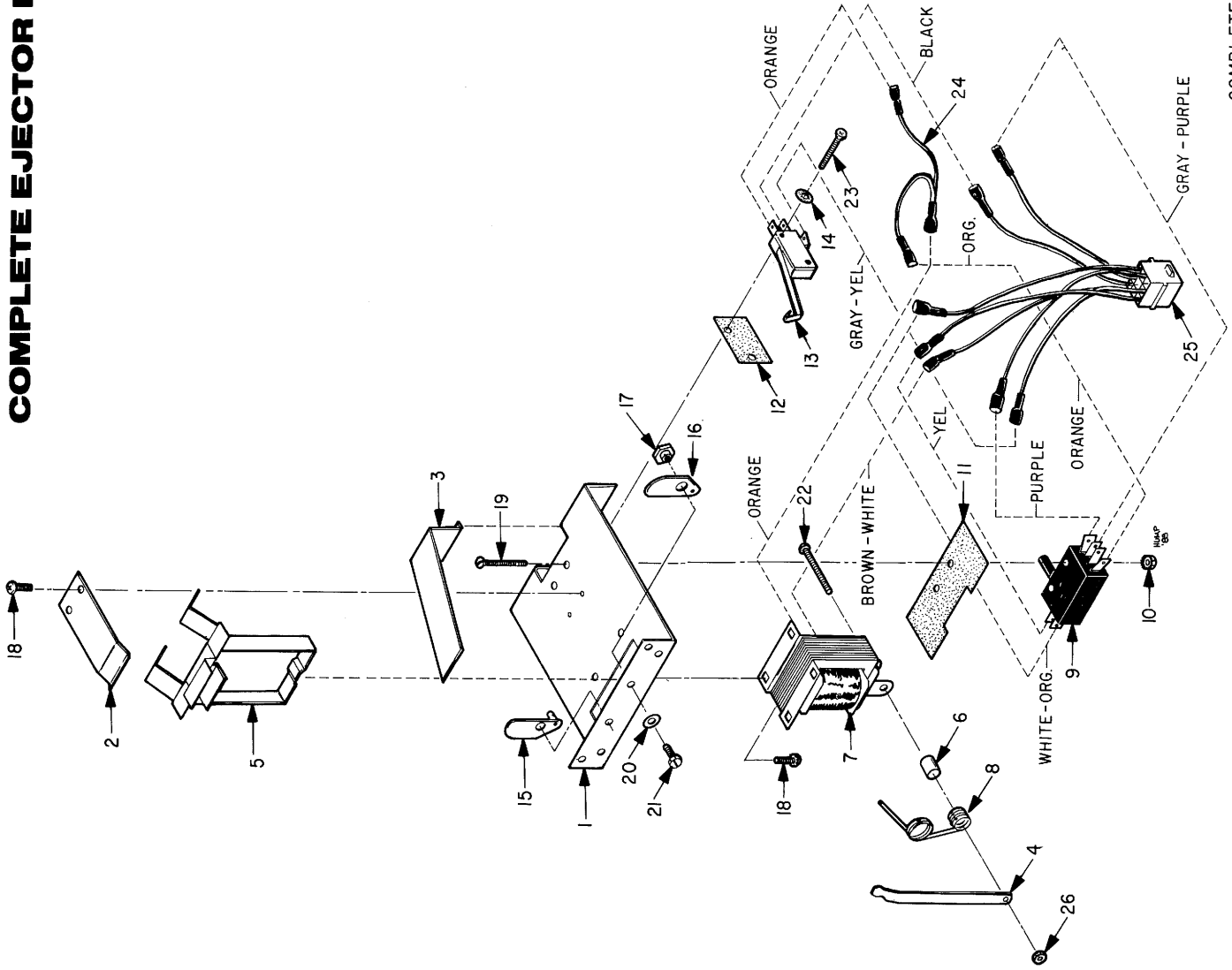


REFRIGERATION CHASSIS ASSEMBLY
P/N 210072 (1/2 HORSEPOWER)

REFRIGERATION CHASSIS ASSEMBLY

Item	Part No.	No. Req'd.	Description	Item	Part No.	No. Req'd.	Description
1	210072	1	Chassis Refrigeration Complete 1/2 H.P.	40	34157	1	Grommet, for 7/16 Dia. Hole, 5/16 I.D.
2	343839	1	Base Plate - Refrigeration	41	33-2414-000	4	1/4clip, Shroud Side
3	33-2337-000	1	Condenser Coil 1/2 H.P.	42	33-3096-000	4	Tinnerman Square Back Clip
4	33-0952-000	1	Compressor 1/2 H.P.	43	33-2392-000	1	#8 x1 1/2 Phil. Pan Hd. S.M.S.
5	33-2417-000	1	Motor 9-watt Condenser Fan	44	50585	1	#8 External Lockwasher
6	18-7395-000	1	Bracket, Condenser Fan. Mtg.	45	50202	22	#8 - 18x1/2 Phil./Hex Washer Hd. Tek
7	18-7393-000	1	10" Fan Blade	46	338154	1	Name Plate
8	18-7394-000	1	Silencer, Condenser Fan	47	33-2393-000	4	1/4 - 20x1/2 Hex Hd. Cap Screw
9	18-6097-000	1	Nut Condenser Fan Blade (Redmond 15A25)	48	33-2492-000	1	Warning, Decal - Refrigeration
10	33-2501-000	1	Service Harness	49	18-7209-000	2	#10 - 32x5/16 Phil. Pan Hd. M.S.
11	33-2399-000	1	Coil, Evaporator	50	50663	13	Pop Rivet
12	33-2348-001	1	Evaporator End Plate - Left	51	50531	4	1/4-20 Hex Nut
13	33-2384-000	1	Bracket, Accumulator Tube Support	52	33-2235-000	2	1/4-20x7/16 Phil. Truss Hd. Taptite
14	33-2352-000	1	Fan Shroud Evaporator	53	18-6154-000	4	#8 - 36x5/16 Phil. Pan Hd. M.S.
15	33-2358-000	1	Top Baffle Evaporator	54	50234	2	#8 - 32x3/8 Phil. Truss Hd. M.S.
16	33-2348-000	1	Evaporator End Plate - Right	55	33-3084-000	1	Decal, Thermostat
18	33-1297-000	1	Fan Blade, C.C.W.	56	323064	2	Drive Screw
19	33-2408-000	1	Bracket, Thermostat	57	V800949	4	3/8-16 Hex Nut with Ext. Lock Washer
20	33-4123-000	1	Thermostat	58	343872	4	Stud - Compressor Mounting
21	33-0391-000	1	(Furnished with Refrigeration Unit)	59	50593	4	1/4 External Lockwasher
22	620147	1	Motor Mount	60	20-0468-003	2	#8x3/8 Phil. Truss Hd. Type A Self-Tap
23	620146	1	Tube, Capillary Connecting	61	09-0002-704	1	Clamp, Cable
24	33-2401-000	1	Tube, Accumulator Connecting	62	33-2406-000	1	Shroud, Condenser Fan
25	620145	1	Accumulator	63	18-6811-000	2	#3-48x3/16 Slotted Rd. Hd. M.S.
26	33-2436-000	1	Tube-Cap	64	33-1298-000	3	Evaporator, Fan & Motor Assembly (Not Shown)
27	17-4040-000	1	Line Suction 3/8	65	33-1102-000	1	Adapter Overload
28	33-0954-000	1	Discharge Line	66	25-0164-000	1	Wire Leads
29	33-0956-000	1	Vinyl Tubing .125 I.D.	67	20-0469-016	6	6-32x5/16 Truss Hd. Phil. Hd.
30	33-1103-000	1	Strap Bale 1/2 H.P.	68	50234	2	8-32x3/8 Truss Hd. Phil. Hd.
31	33-0953-000	1	Cover 1/2 H.P.	69	33-0957-000	1	Handy Box - Assembly 1/2 H.P. (Not Shown)
32	33-0955-000	1	Cover Gasket	70	18-6633-000	1	Tag Instruction
33	33-0958-000	1	Overload 1/2 H.P.	71	20-0470-017	2	10-32x3/8 Rd. Hd. Phil. Type 23
34	33-0959-000	1	Spring Overload	72	50595-001	2	"J" Type Tinnerman
35	33-2430-000	1	Relay	73	33683	1	Cord, Relief Bushing
36	33-2433-000	1	Start Capacitor	74	33-1309-000	2	#8 x1/2 Truss H.D. Type "A" S.M.S.
37	18-9723-000	4	Cord, Extension, 22 F Plug	75	20-0468-003	1	#8 x3/8 Phil. Truss Hd. S.M.S.
38	18-7888-000	4	Drier	76	4784	1	Plate
39	33683	1	Grommet, Compressor Clip, Compressor Mounting Bushings, Strain Relief	77	210073	1	Suction Line Assembly (Not Shown)
				78	33-2493-000	1	Evaporator Fan & Shroud Assembly (Not Shown)

COMPLETE EJECTOR MECHANISM ASSEMBLY



COMPLETE EJECTOR - MECH. ASSEMBLY

P/N 210094

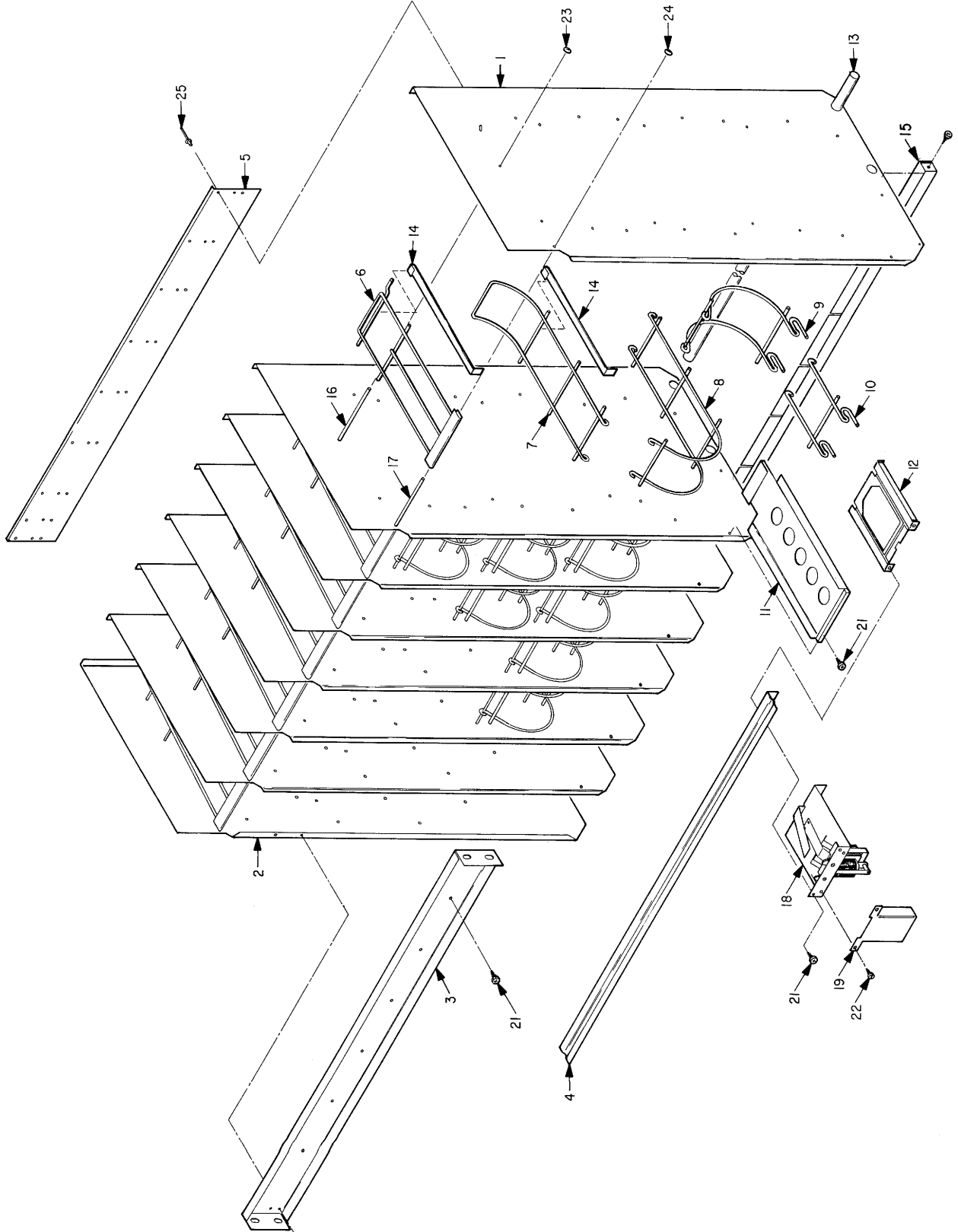
COMPLETE EJECTOR MECHANISM ASSEMBLY

Item	Part No.	No. Req'd.	Description
1	50-0359-000	1	Activator, Plate Assembly
2	20-1127-000	1	Flat Spring
3	33-2210-000	1	Sold Out Switch Leaf
4	20-1388-000	1	Lock Out Bar
5	50-0361-000	1	Ejector Assembly
6	20-1285-000	1	Spacer
7	09-1050-300	1	Solenoid
8	20-1421-000	1	Spring Solenoid
9	20-0158-000	1	Sold Out Switch
10	50505	2	#6 - 32 Twin Whiz
11	20-0155-000	1	Insulator
12	20-0144-000	1	Insulator
13	20-0153-000	1	Switch-Stroke
14	20-0798-000	1	Washer Fiber 1/8 I.D.
16	50-0346-004	1	Cam Escapement - Right

Item	Part No.	No. Req'd.	Description
17	20-1129-000	2	#10 - 32 Shoulder Nut
18	20-0470-002	6	#8 - 32x1/4 Phil. Rd. Hd. S.E.M.S.
19	20-0469-004	2	#6 - 32x1" Phil. Truss Hd. M.S.
20	20-0729-004	2	#10 Flat Washer
21	20-1200-000	2	#10 - 32x3/8 Hex Hd. Locking Screw
22	20-0716-003	1	#8 - 32x1 1/2 Hex Hd. Screw
23	20-0470-004	2	#4 - 40x5/8 Phil. Pan Hd. Self Tap
24	20-0496-003	1	Solenoid - Jumper Wire
25	620131	1	Trip Mechanism Harness
26	50494	1	#8 - 32 Unitorque Lock Nut
27	50-0358-000	7	Ejector Mechanism Assembly (Not Shown)

COMPLETE CAN RACK ASSEMBLY

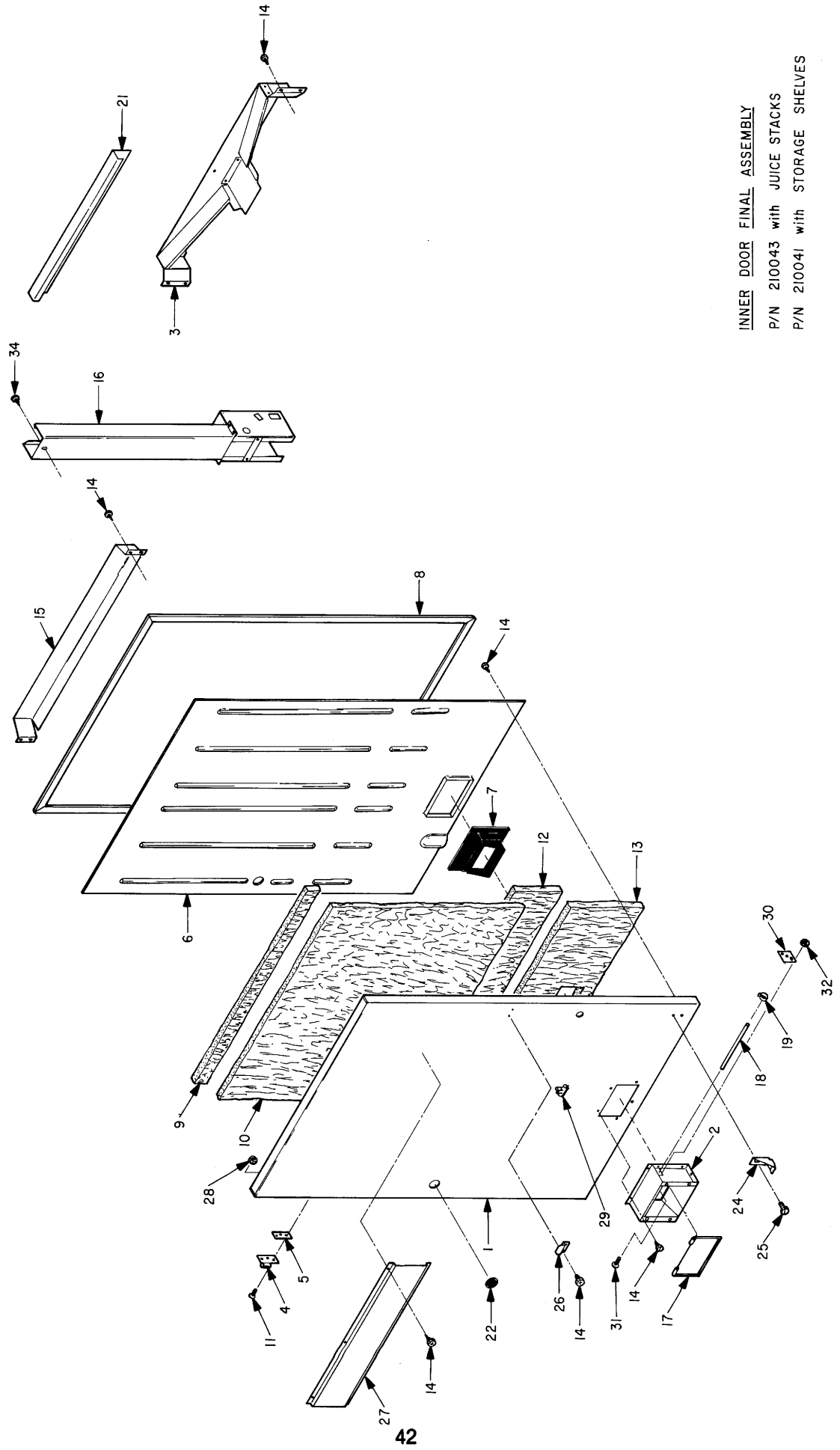
CAN RACK ASSEMBLY
P/N 210042



COMPLETE CAN RACK ASSEMBLY

Item	Part No.	No. Req'd.	Description	Item	Part No.	No. Req'd.	Description
1	210042	1	Complete Can Rack Assembly	15	620202	1	Ejector Mechanism Angle Bracket
2	620071-001	1	Left End Panel	16	33-2473-000	4	.125 dia. Tie Rod
3	620071-000	7	Right End Panel	17	33-2474-000	26	.156 dia. Tie Rod
4	620069	1	Front Tie Strip	18	210094	7	Complete Ejector Mechanism Assembly
5	620070	1	Plate Ejector, Col.	19	33-1812-000	7	Shield Solenoid
6	620068	2	Tie Strip & Can Guide	20	210038	1	Ejector Bar Assembly (Not Shown)
7	33-1977-000	7	Shelf, Upper	21	50202	16	#8 18x1/2 Phil./Hex Washer Hd. Tek
8	33-1975-000	7	Top Loop Can Rack	22	20-0470-002	14	#8 - 32x1/4 Phil. Rd. Hd. S.E.M.S.
9	33-1974-000	49	Center Loop Can Rack	23	33-2477-000	4	.125 dia. Push-On Nut
10	33-1976-000	7	Bottom Loop Can Rack	24	33-2476-000	26	.156 dia. Push-On Nut
11	4314	7	Bottom Extension - Can Rack	25	50667	36	Pop Rivet
12	8892	7	Guard Can				
13	33-1998-000	7	Shelf Sold Out				
14	620197-001	2	Tube Rack Support				
	33-1999-000	56	Retainer Strip				

INNER DOOR FINAL ASSEMBLY

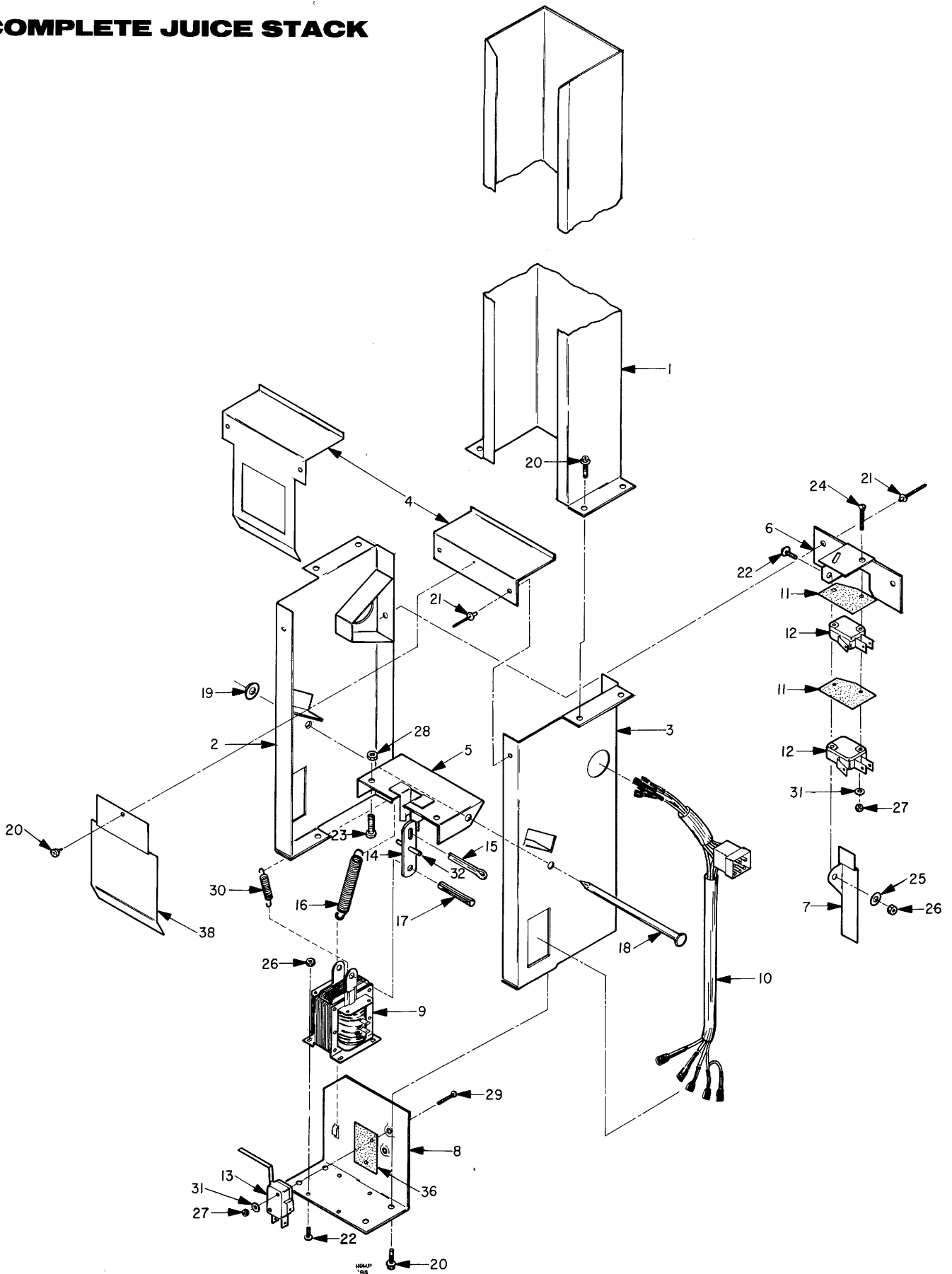


INNER DOOR FINAL ASSEMBLY
P/N 210043 with JUICE STACKS
P/N 210041 with STORAGE SHELVES

INNER DOOR FINAL ASSEMBLY

Item	Part No.	CD7	CD7/5	Description	Item	Part No.	CD7	CD7/5	Description
1	210041	1		Inner Door Final Assembly	22	25-0135-004	2		BP 1 1/2 Hole Plug (No Holes)
2	210043	1	1	Inner Door Final Assembly	24	25682-001	1	2	BP 1 1/2 Hole Plug (With Holes)
	210059	1	1	Inner Door Weld Assembly	25	341865	2	1	Support - Door
	60-0008-000	1	1	Outer Door Chute Assembly	26	V800838	2	2	1/4 - 20 Hex Hd. Tapping Screw
	25-0031-000	2	2	Bezel Support - Sides	27	620107	1	1	Door Strike
	25-0032-000	1	1	Bezel Support - Top	28	620185	1	1	Display Back
	25-0033-000	1	1	Chute, Outer Door	29	50496	9	9	#10 - 32 Unitorque Lock Nut
3	210053	1	1	Can Chute Assembly	30	60118	1	1	Bull Dog Clip
4	620140	3	3	Butt Hinge Female - Right Hand	31	3745	2	2	Delivery Door Bracket
5	25-0059-000	3	3	Inner Door Hinge Spacer	32	18-8598-000	4	4	#10 - 32x3/8 Carriage Bolt
6	620109	1	1	Inner Door Liner	33	50546	4	4	#10 - 32 Twin Whiz
7	25647	1	1	Delivery Chute	34	34205	1	1	Juice Stack Door Harness (Not Shown)
8	620054	1	1	Door Gasket		50431		15	#10 x 5/8 Phil. Pan Hd. Type "A"
9	620103	1	1	Inner Door Insulation - Top					
10	620104	1	1	Inner Door Insulation - Middle					
11	50326	9	9	#10 - 32x1/2 Phil. Flat Hd. M.S.					
12	620105	1	1	Inner Door Insulation - Lower					
13	620106	1	1	Inner Door Insulation - Bottom					
14	50202	58	40	#8 - 18x1/2 Phil./Hex Washer H.D. Tek					
15	620064	4		Storage Shelf					
16	102403		5	Complete Juice Stack Assembly					
17	33-4428-000	1	1	Vend Port Door					
18	20-0650-004	1	1	Hinge Pin 8"					
19	09-1078-000	4	4	Tubular Speed Nut (Tinnerman)					
21	620116	1	1	Wire Cover					

COMPLETE JUICE STACK



COMPLETE JUICE STACK

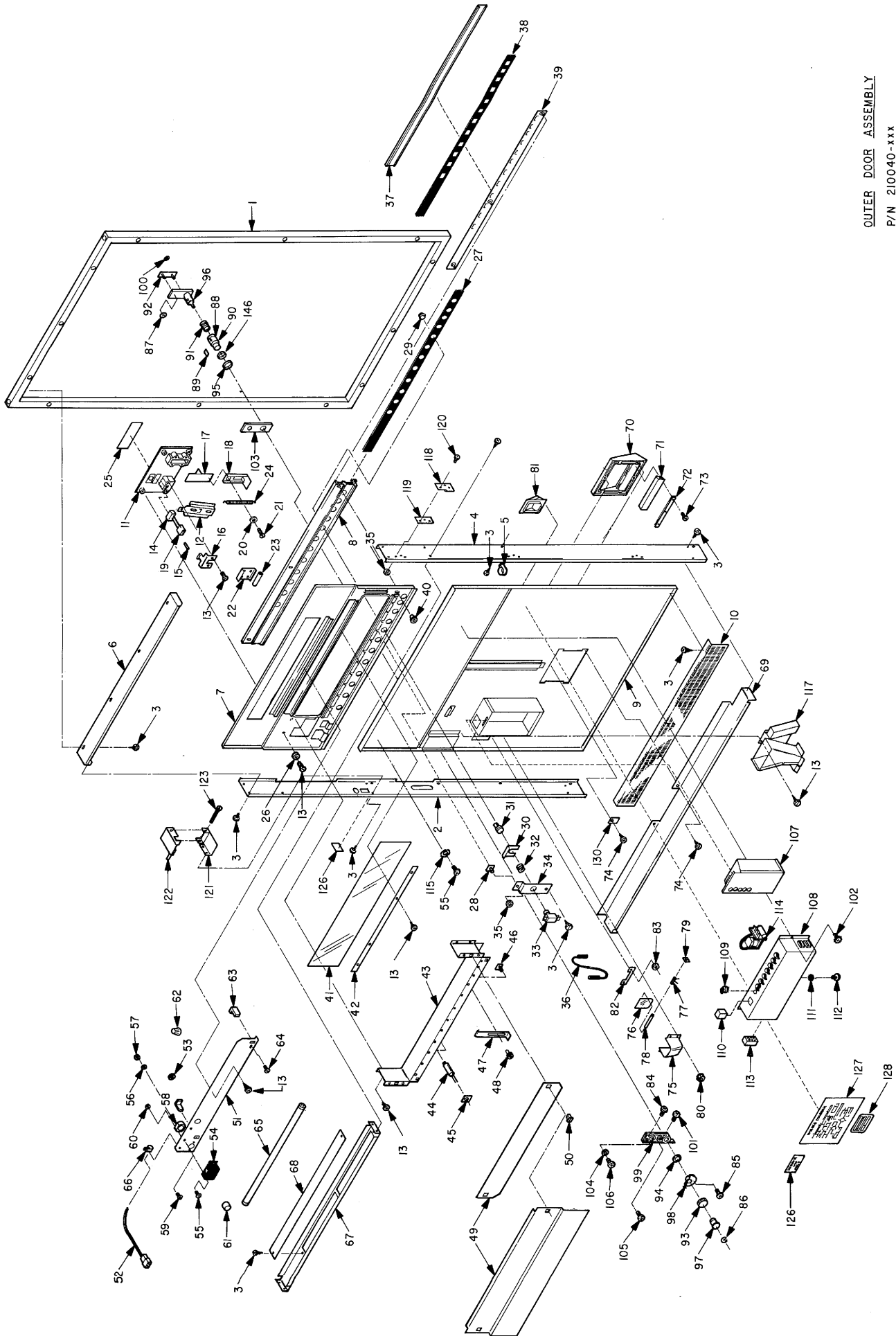
P/N - 102403

P/N - 102363

COMPLETE JUICE STACK ASSEMBLY

Item	Part No.	No. Req'd.	Description	Item	Part No.	No. Req'd.	Description
1	102403	5	Complete Juice Stack Assembly	20	50202	9	#8 - 18x1/2 Phil./Hex Washer Hd. Tek
2	8873	1	Stack Channel - Juice Stack	21	50692	4	#SD-54-BS Pop Rivet 5/32 dia.
3	102371	1	Right Side Panel Weld Assembly	22	50234	4	#8 - 32x3/8 Phil. Truss Hd. M.S.
4	102372	1	Left Side Panel Weld Assembly	23	50262	2	#8 - 32x3/4 Phil. Pan Hd. M.S.
5	3714	1	Top Tie-In Bracket	24	50014	2	#4 - 40x1-1/8 Phil. Rd. Hd. M.S.
6	102374	1	Drop Plate Weld Assembly	25	30100	1	Stack Spacer Bushing
7	4321	1	Sold Out Switch Mtg. Bracket	26	50494	4	#8 - 32 Unitorque Lock Nut
8	3716	1	Sold Out Switch Activator	27	50517	4	#4 - 40 Hex Nut
9	4824	1	Full Stroke Switch Mtg. Bracket	28	50513	2	#8 - 32 Twin Whiz Lock Nut
10	09-1050-300	1	Solenoid	29	50013	2	#4 - 40x5/8 Phil. Rd. Hd. M.S.
11	34206	1	Juice Stack Harness	30	21020	1	Spring
12	3155	1	Switch Insulator	31	50578	4	#4 Internal Shakeproof Lockwasher
13	34114	1	Helix Motor Cycle Switch	32	50725	1	Roll Pin
14	34202	1	Full Stroke Switch	33	102363	1	Complete Vend Mechanism Assembly (Not Shown)
15	4316	1	Vend Bracket	34	102404	1	Complete Sold Out Switch Bracket Assembly (Not Shown)
16	50650	1	1/8x1" Cotter Pin	35	102366	1	Complete Full Stroke Switch Assembly (Not Shown)
17	21005	1	Cup Drop Spring	36	20-0144-000	1	Switch Insulator
18	50728	1	3/16x1-1/8 Roll Pin	37	102365	1	Drop Plate Screw Assembly (Not Shown)
19	50653	1	Retainer Rod - Juice Stack	38	3793	1	Anti-Lock-Up Bracket
	50475	1	Tinnerman Push-On C6250-022 (either/or)				
	50637	1	Tinnerman Push-On C10757-020				

OUTER DOOR FINAL ASSEMBLY



OUTER DOOR ASSEMBLY
P/N 210040-xxx
P/N 210069-xxx

OUTER DOOR FINAL ASSEMBLY

Item	Part No.	Description	CD7	CD7/5
1	210040-XXX	Outer Door Final Assembly	1	1
2	210069-XXX	Outer Door Final Assembly	1	1
3	210036	Door Frame Weld Assembly	1	1
4	620084	Door Frame Extension - Right	80	80
5	50202	#8 - 18x1/2 Phil./Hex Washer Hd. Tek	1	1
6	620085	Door Frame Extension - Left	2	2
7	60134	Plastic Wire Clamp	1	1
8	620083	Door Frame Extension - Top	1	1
9	210051	Upper Door Panel Weld Assembly	1	1
10	210068	Upper Door Panel Weld Assembly	1	1
11	620053	Trim - Push Button	1	1
12	620124	Trim - Push Button	1	1
13	210052	Lower Panel Weld Assembly	1	1
14	620059	Grill - Lower Door	1	1
15	379595	Casting - Coin Insert	1	1
16	129142	Coin Chute Weld Assembly	1	1
17	V800829	#10 - 16x3/8 Phil. Pan Hd. w/Ext. Lock Washer Type "B"	35	35
18	379686-1	Lamp	1	1
19	320196	Terminal - Male	2	2
20	379544	Retainer, Lamp	1	1
21	379531	Handle, Coin Return	1	1
22	379585	Angle, Coin Return	1	1
23	345005	Plug - 2 Terminal	1	1
24	379546	Shoulder Bushing	2	2
25	V801294	#10 - 24x5/8 Phil. Truss Hd. w/Ext. Lock Washer Type "1"	1	2
26	379568	Retainer, Handle	1	1
27	379653	Stop, Rubber	1	1
28	379539	Spring - Extension	1	1
29	379569	Plate Instructions	1	1
30	337241	Cup Washer	4	4
31	620072	Strip - Push Button	1	1
32	620127	Strip - Push Button	1	1
33	V328761	#10 - 32x13/32 T-Bolt	7	12
34	379573	Guide - Button	7	12
35	379548	Retainer - Push Button	7	12
36	379572	Push Button	7	12
37	379543	Spring - Push Button	7	12
38	323007	Switch - Push Button	7	12
39	379557	Switch - Bracket	7	12
40	50546	#10 - 32 Twin Whiz	16	21
41	620133	Selector Jumper Wire	6	11
42	379553-2	Clear Plastic Cover	1	1
43	620148	Flavor Strip	1	1
44	620149	Flavor Strip	1	1
45	129143-3	Back Up Plate Weld Assembly	1	1
46	129143-4	Back Up Plate Weld Assembly	1	1
47	327450	#10 - 32 Thumb Nut	3	3
48	620108	Sign - Display	1	1
49	379561	Sign - Display	1	1
50	79570	Retainer Glass	1	1
51	620076	Display Box	1	1
52	620125	Display Box	1	1
53	25-0099-000	Glo-Lite (Empty Lite)	7	12
54	50628	Tinnerman Push-On 3B-1069	7	12
55	379653	#10 - 32x3/8 T-Bolt	7	12
56	372386-1	Clip - Can	7	12
57	327450	#10 - 32 Thumb Nut	7	12
58	620181-000	Wire Cover	1	1
59	620181-001	Wire Cover	1	1
60	620080	Display Back	1	1
61	620123	Display Back	1	1
62	379407-1	Latch	2	2
63	379530	Lamp Mounting Angle	1	1
64	620003	Display Lamp Harness	1	1
65	33654	Rubber Grommet - #2281x3/8	1	1
66	33609	Ballast	1	1
67	50240	#8 - 32x3/8 Phil. Pan Hd. M.S.	6	6
68	50585	#8 Lockwasher	3	3
69	50513	#8 - 32 Twin Whiz Nut	3	3
70	321344	Starter Socket	1	1

OUTER DOOR FINAL ASSEMBLY

(Cont'd)

Item	Part No.	CD7	CD7/5	Description	Item	Part No.	CD7	CD7/5	Description
59	50015	2	2	#4 - 40x3/4 Slotted Rd. Hd. M.S.	90	374806	1	1	Operating Tube
60	50517	2	2	#4 - 40 Hex Nut	91	365664	1	1	Spring
61	33567	1	1	Starter	92	365665	1	1	Trim - Lock Handle
62	33693	2	2	Closed End Splice	93	365777	1	1	Lock Nut
63	33548	2	2	Lamp Holders	94	366501	1	1	Washer
64	50122	2	2	#6 - 32x3/8 Phil. Pan Hd. M.S.	95	369076	1	1	Gearing, Cam
65	362982	1	4	Lamp - Fluorescent	96	375351	1	1	Handle, Latch
66	60116	1	1	Wire Clamp - 3/8	97	375353	1	1	Bushing, Nylon
67	620113	1	1	Display Brace	98	384285	1	1	Cam Lock
68	620110	1	1	Light Diffuser	99	365668	1	1	Housing, Latch
69	620097	1	1	Center Door Brace	100	375352	1	1	Spacer, Lock
70	33-2285-000	1	1	Trim Can Chute	101	V342624-3	1	1	#10 - 16x3/4 Phil. Pan Hd. Tek
71	33-4456-000	1	1	Bumper Can	102	V801204	4	4	#10 - 16x3/8 Phil. Truss Hd. Type B
72	33-2462-000	1	1	Retainer - Support Can Chute Bumper					with Ext. Lock Washer
73	33-0289-000	3	3	#6 - 32x1/4 Phil. Pan Hd. Tapite					#8 - 18x5/16 Phil. Pan Hd.
74	50212	5	5	#8 - 32x1/4 Phil. Pan Hd. Type "23" SelfTap					with Ext. Lock Washer
75	349894	1	1	Casting - Coin Cup					Trim - Latch
76	349892-2	1	1	Coin Cup Door					#8 Plain Washer
77	350338	1	1	Spring					1/4 - 20x1/2 Phil. Truss Hd. Type 23
78	346087-1	1	1	Pin					# - 32x3/8 Phil. Truss Hd. Type 23
19	V337564	1	1	Speed Nut Tinnerman C637-010-4					Coin Box Weld Assembly
80	V800956	4	1	#8 - 32 Hex Nut with Ext. Lockwasher					Complete Control Box Assembly
81	379619	1	1	Coin Cup - Trim					Complete Control Box Assembly
82	379043	1	1	Retainer - Coin Cup					Rotary Switch
83	322904	2	2	Nut					Relay
84	V801313	2	2	#10 - 16x11/16 Phil. Pan Hd. with Ext. Lock Washer					#6 Ext. Shakeproof Lockwasher
85	V800824	1	1	#8-32x5/8 Phil. Truss Hd. Type "23"					#6 - 32x1/4 Phil. Pan Hd. M.S.
86	V801080	1	1	Retaining Ring - Type "E"					Coin Mech Plug
87	V801339	2	2	Push Nut - Type "2"					Time Delay Relay
88	366499	1	1	Washer					Lockwasher
89	374805	2	2	Spacer - Drive					Complete Display Back Assembly (Not Shown)
									Complete Display Back Assembly (Not Shown)

OUTER DOOR FINAL ASSEMBLY

(Cont'd)

Item	Part No.	CD7	CD7/5	Description
117	129308	1	1	Coin Chute Weld Assembly
118	620139	3	3	Butt Hinge Male - Right Hand
119	25-0059-000	3	3	Inner Door Hinge Spacer
120	50326	9	9	#10 - 32x½ Phil. Flat Hd. M.S.
121	210050	1	1	Latch Mounting Bracket Weld Assembly
122	210063	1	1	Door Latch Weld Assembly
123	25-0187-000	1	1	Cotter Pin
124	379643-1	1	1	Product Identification Strip - Cold Drink
125	373537	1	1	Label - Indoor Use
126	25-0202-000	1	1	Label - Inner Door Latch
127	620152	1	1	Wiring Diagram
	620150	1	1	Wiring Diagram
128	326915	1	1	Label - Code
129	128730-1	1	1	Coin Insert Installation (Not Shown)
130	33-2465-000	3	3	Angle Attaching
131	210013	1	1	Lamp Assembly (Not Shown)
132	33-5006-000	1	1	Trim Can Chute Assembly (Not Shown)
133	127160-16	1	1	Door Latch Installation (Not Shown)
134	127161-3	1	1	Door Latch Assembly (Not Shown)
135	210067	1	1	Lock Housing & Door Latch Assembly (Not Shown)
136	210081	1	1	Display Box Assembly (Not Shown)
137	210074	1	1	Display Box Assembly (Not Shown)
138	382998	1	1	Clip - Latch Retainer (Not Shown)
139	383101	1	1	Tag - Latch Retainer (Not Shown)
	620128	1	1	Control Box (Not Shown)
	620138	1	1	Control Box (Not Shown)
140	620136	1	1	7-Column Control Box Harness (Not Shown)
	620135	1	1	12-Column Control Box Harness (Not Shown)
141	33901	1	1	Slide Switch (Not Shown)
142	50667	2	2	Pop Rivet (Not Shown)
143	4301	1	1	High-Low Switch Stop (Not Shown)
144	20716	1	1	Label, Four-Single Price (Not Shown)
145	127162	1	1	Operating Tube Assembly (Not Shown)
146	620195	1	1	Lock Cam Spacer
147	620134	1	1	Juice Control Box Harness (Not Shown)
148	129164	1	1	Lamp Assembly (Not Shown)

