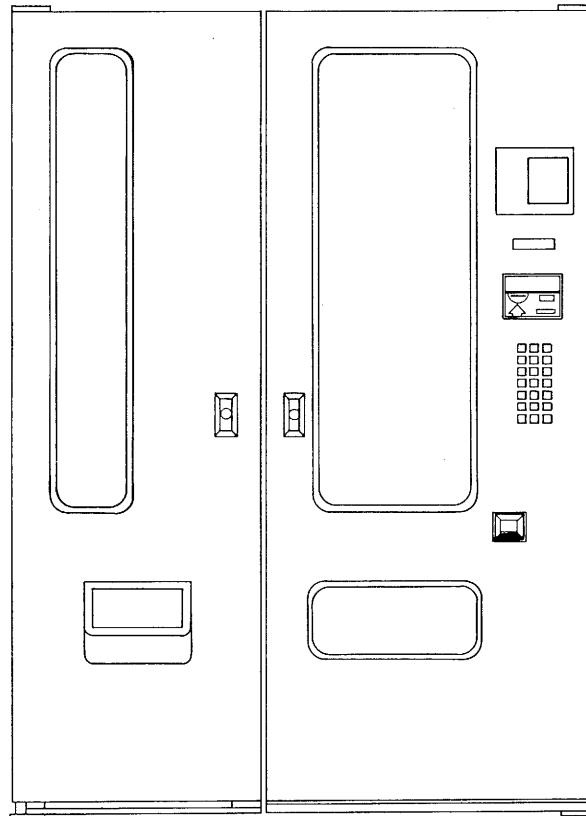


# ***IMPORTANT ADDENDUM***

***INSTALLATION, DISPLAY SET-UP AND  
CONTROLLER FUNCTIONS FOR  
CD6 MODEL 3038 WITH  
MODEL III MULTI LANGUAGE  
CONTROLLER***

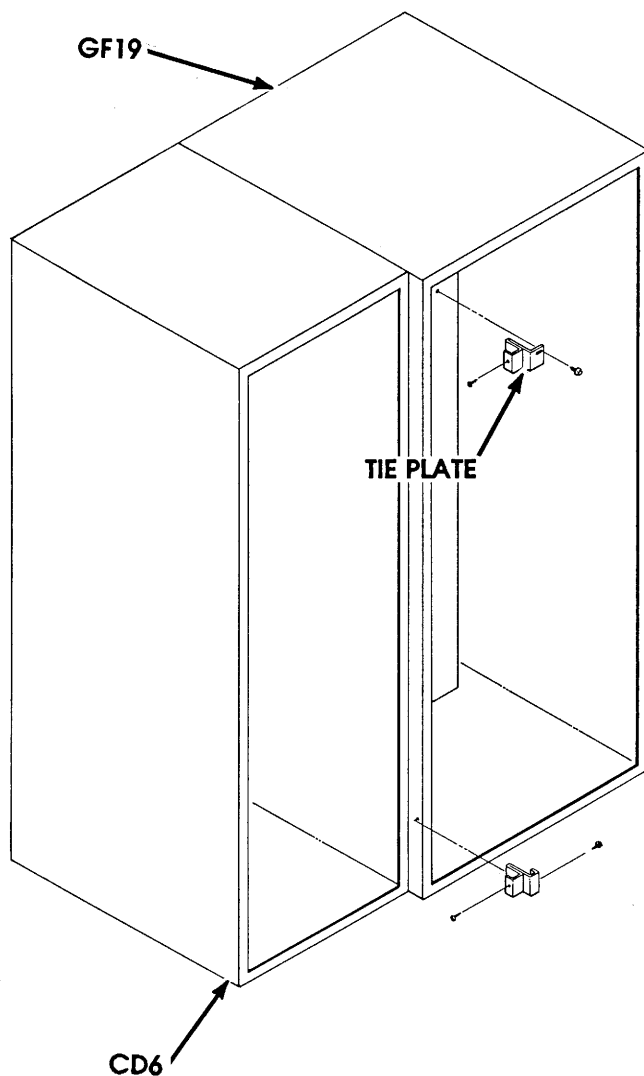


**P/N 4203249**

## INSTALLATION INSTRUCTIONS

REPLACES INSTALLATION INSTRUCTION #2  
ON PAGE 2

2. Set and level the CD6-Can Drink Vendor to the right of the GF 19 Glassfront "host machine" and connect the machines together with two (2) "tie plates" furnished in the Loose Parts Package. See Illustration below for connecting the machines together.



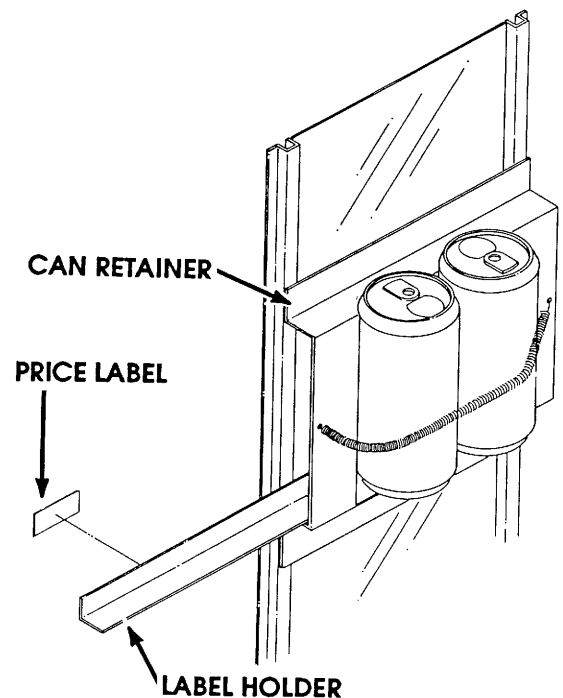
## PRODUCT DISPLAY AREA

REPLACES PRODUCT DISPLAY AREA ON  
PAGE 3

The live display will provide a full view of the products being dispensed and a label holder to indicate the vend price set for each selection. The serpentine columns and displays are numbered for easy identification.

To display products:

1. Place soft drinks in selection window as shown below.  
NOTE: Be sure can in display represents that selection number.
2. Slide label holder out of can retainer as shown in illustration below.
3. Adhere the price labels, found in the Service Package, to the front of label holder.
4. Slide label holder back in position so that it is flush with can retainer.
5. To verify the price set, depress the selection letter and number on the GF 19 Glassfront. Watch the digital display on the GF 19 Glassfront for the correct pricing.



# CONTROLLER FUNCTIONS CONTINUED

## PRICE SETTING INSTRUCTIONS

All pricing is controlled by the controller and must be programmed into the controller's memory. The vend prices can only be programmed while in "Service Mode". Vend prices are programmed into the memory of the controller by using the key pad to input the commands or requirements.

A vend price must be established for each selection. On items that will be vended at the same vend price, the "Copy Price Mode" can be used to duplicate the prices.

To establish vend prices, follow the steps outlined below:

1. Place the controller in the "Service Mode".
  - This is done by depressing the "Service Mode" button located on the control board. (See **Service Mode Section**)

**NOTE:** The display will indicate any faulty selections that have been recorded by the controller. These faults should be noted immediately. Refer to the **Trouble Shooting** section of this manual for additional information.

2. Enter the "Price Mode" by depressing key "5" on the front panel key pad.
  - The display will indicate **"MAKE SELECTION"**.
3. Enter the selection **letter** and **number** of the item to be priced.
  - The selection number and current vend price will be displayed.

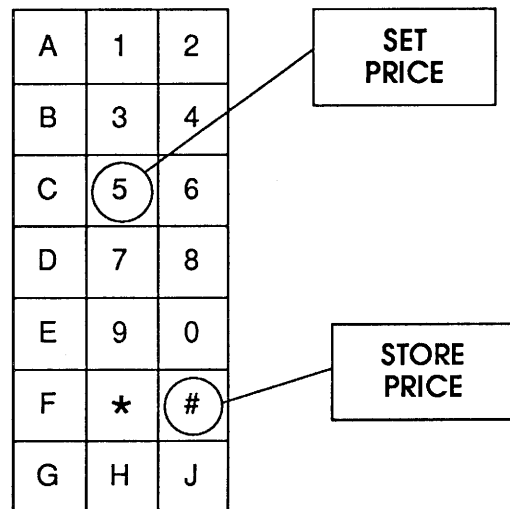
4. Enter the desired vend price using the number keys on the front panel key pad.

**EXAMPLE:** If the numbers 1, 2 and 5 were entered, that item would have a vend price of \$1.25.

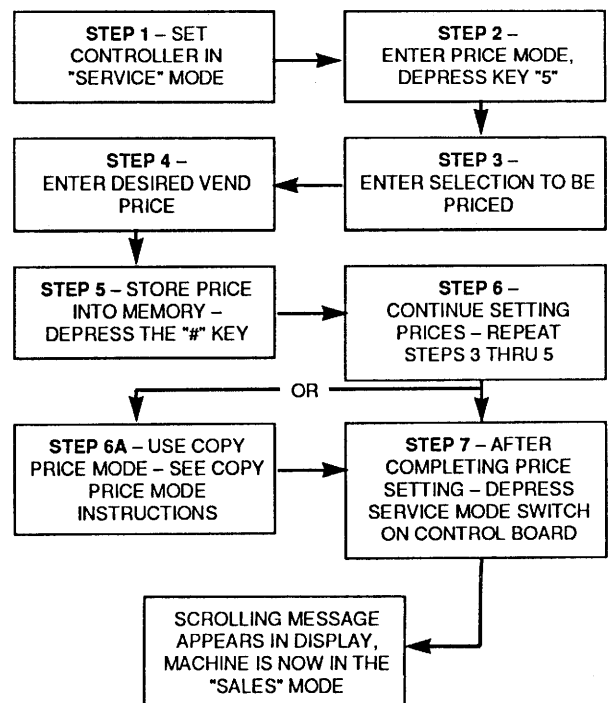
5. Store the price in memory by depressing the "#" key on the front panel key pad, or use "Copy Price Mode".
6. Continue setting prices for other selections by repeating **Steps 3 through 5** or by using the "Copy Price Mode" instructions.
7. After completing price setting, depress the "Service Mode" button located on the control board.
  - The scrolling message will appear in the display. The machine is now in the "Sales Mode".
8. Check prices of items programmed by depressing selections in the "Sales Mode".

**NOTE:** Any time the controller is placed in the service mode it will automatically return to the sales mode in 25 seconds if no input or depression of the key pad is made during that time.

**IMPORTANT:** When establishing vend prices, make sure the price label located on the product tray agrees with the vend prices programmed into the controller and that they are properly located below the item they are identifying.



The following "flow chart" indicates the basic steps that are required when establishing vend prices on individual selections. If more than one selection is being vended at the same vend price, the "Copy Price Mode" can be used:



# CONTROLLER FUNCTIONS CONTINUED

## COPY PRICE MODE

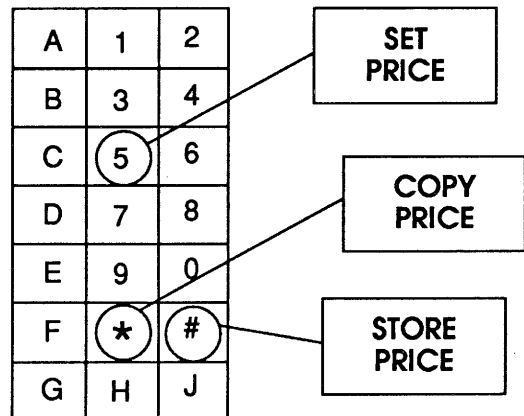
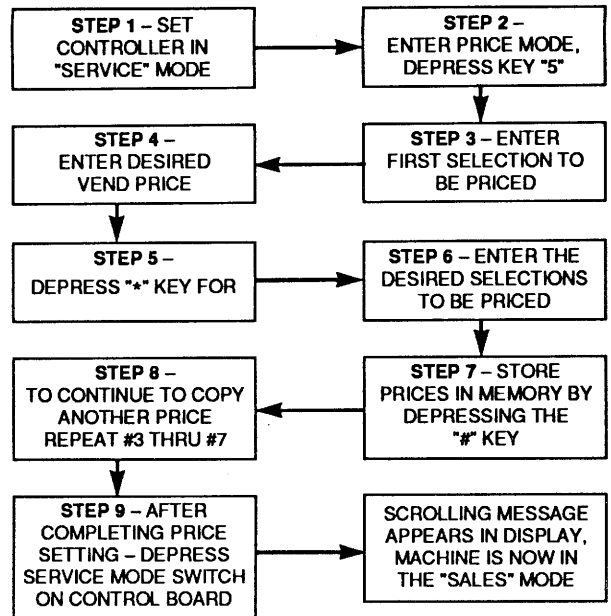
When there is more than one selection to be vended at the same vend price, the "Copy Price Mode" can be used to duplicate prices for these selections. The "Copy Price Mode" can be accessed by following the instructions outlined below.

1. Place the controller in the "Service Mode". (See **Service Mode Section**)
  - This is done by depressing the "Service Mode" button located on the control board.
2. Enter the "Price Mode" by depressing key "5" on the front panel key pad.
  - The display will indicate "MAKE SELECTION".
3. Enter the selection to be priced.
  - The selection number and current vend price will be displayed.
4. Enter the desired vend price using the number keys on the front panel key pad.

**EXAMPLE:** If the numbers 1, 2 and 5 were entered, that item would have a vend price of \$1.25.

5. Depress the "\*" key on the front panel key pad.
  - "COPY PRICE" will appear in the display.
6. Enter the desired selections to receive the Copy Price. All selections entered will receive the same vend price.
7. Store the prices in memory by depressing the "#" key on the front panel key pad.
8. To continue to copy another price, repeat **Steps 3 through 7**.
9. After completing price setting, depress the "Service Mode" button on the control board. Scrolling message will appear in the display. The machine is now in the "Sales Mode".

The following flow chart indicates the basic steps that are required when establishing vend prices using the "Copy Price" option. When establishing prices for individual selections, follow the instructions outlined under "Price Setting Instructions".



## VERIFYING VEND PRICES

The vend price for each selection can be verified at any time while the machine is in the "Sales Mode". To verify the price programmed into the controller, depress the specific selection numbers and the current vend price will be displayed for approximately three seconds. The price for each selection must also be identified by a "price label" on the tray under each product. Make sure the price programmed into the controller agrees with the label affixed to the tray for each selection.

**NOTE:** When the controller is in the "Discount Mode" and a time interval has been activated, the discounted price will be displayed. If that specific selection has been recorded as a faulty motor or has been removed by the controller, "SELECT OTHER ITEM" will be displayed. This indicates that the selection is not functional.