



HBA11 & HBA11A HOT BEVERAGE MACHINE BREWER



PARTS MANUAL

Table of Contents

GENERAL INFORMATION

Payment.....	1
Order By Mail	1
To Order By Fax	1
To Order By Phone	1
Returns	1
Limitation Of Liability	1
<i>FINAL ASSEMBLY.....</i>	<i>2</i>
<i>BREWER ASSEMBLY.....</i>	<i>4</i>
<i>SCRAPER ASSEMBLY.....</i>	<i>8</i>
<i>BREWER CYLINDER ASSEMBLY.....</i>	<i>10</i>
<i>BREWER MOTOR ASSEMBLY</i>	<i>12</i>

GENERAL INFORMATION

You may order parts from your distributor or from VendNet™. If you have any questions when placing your order, please call and we'll be happy to assist you.

Please provide the following information when placing your order:

- Quantity Required
- Code Number: found on the left top corner inside the brewer
- Part Number
- Description of the part
- Shipping and Billing Address
- Description
- Preferred Method of Shipment
- Vendor Model Number
- Customer Account Number
- Serial Number

MINIMUM ORDER \$25.00. You may wish to inquire on prices of parts at the time of your order. If you order less than the minimum, please check our catalog for other parts you may require to bring your order up to the minimum order.

Payment

OPEN ACCOUNT with approved credit.

MASTER CARD - VISA - C.O.D.

Order By Mail

You may place your order for replacement parts by providing the necessary information as requested above, and mailing your order to:

VendNet™
165 North 10th Street
Waukee, Iowa 50263-0488

Order forms are available upon request from VendNet™, or you may use your own purchase order form.

To Order By Fax

1-515-987-4447

You may Fax your order for replacement parts by providing the necessary information as requested above to VendNet™.

To Order By Phone

USA 1-800-833-4411

Canada 1-800-858-4730

Other locations 1-515-274-3641

You may call in your order for replacement parts. Ask for VendNet™ Parts Department. Please provide the necessary information, as requested above, to allow us to provide you with prompt courteous service.

Returns

RESTOCKING CHARGE 20%. A restocking charge of 20% will apply to merchandise accepted by VendNet™ for return, except items processed as warranty.

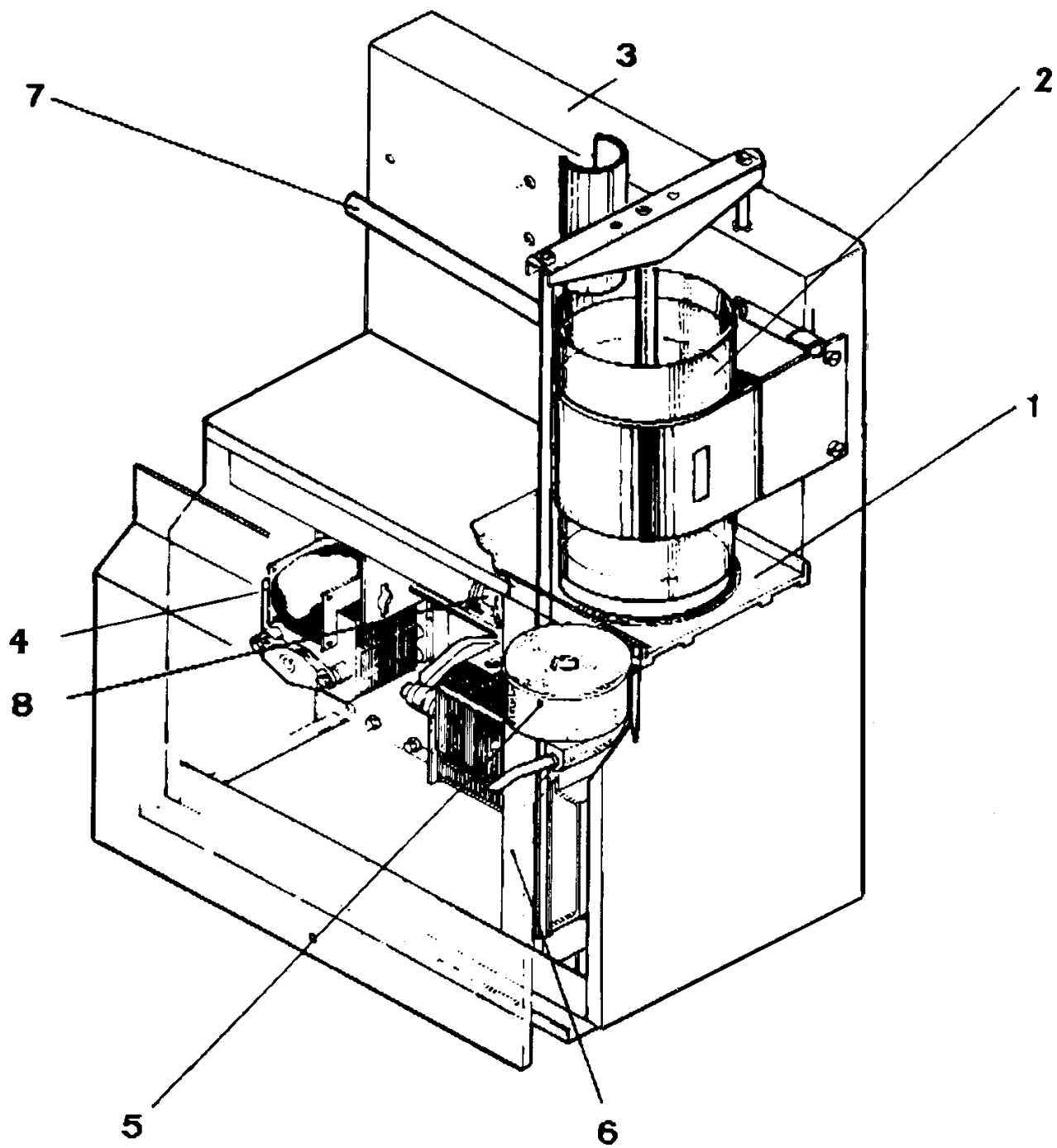
All items returned must be accompanied by a Return Form clearly stating the reason for return. Returns are to be shipped freight prepaid to VendNet™, 165 North 10th Street, Waukee, Iowa 50263-0488. (Return Forms are available upon request from VendNet™.)

Limitation Of Liability

VendNet™ shall not be liable for any injury, loss or damage, whether direct, incidental or consequential arising out of the use of or the inability to use any part, parts or products sold by VendNet™. The remedies of the buyer set forth herein are exclusive, and the liability of VendNet™. With respect to any contract or sale or anything done in connection herewith, whether in connection therewith, whether in contract, in tort, under any warranty, or otherwise, shall not, except as expressly provided herein, exceed the price of the part, parts or products on which such liability is based. Any statements or representations about the parts or product, other than those contained herein, do not constitute warranties and shall not be relied on by the buyer and shall have no force of effect unless contained in a written agreement signed by officers of VendNet™.

If you have any questions, check out our Website: <http://www.vendnetusa.com> or please call VendNet™. Ask for the Parts Department. We will be happy to assist you. E-Mail: VendNet@Ecity.net

FINAL ASSEMBLY

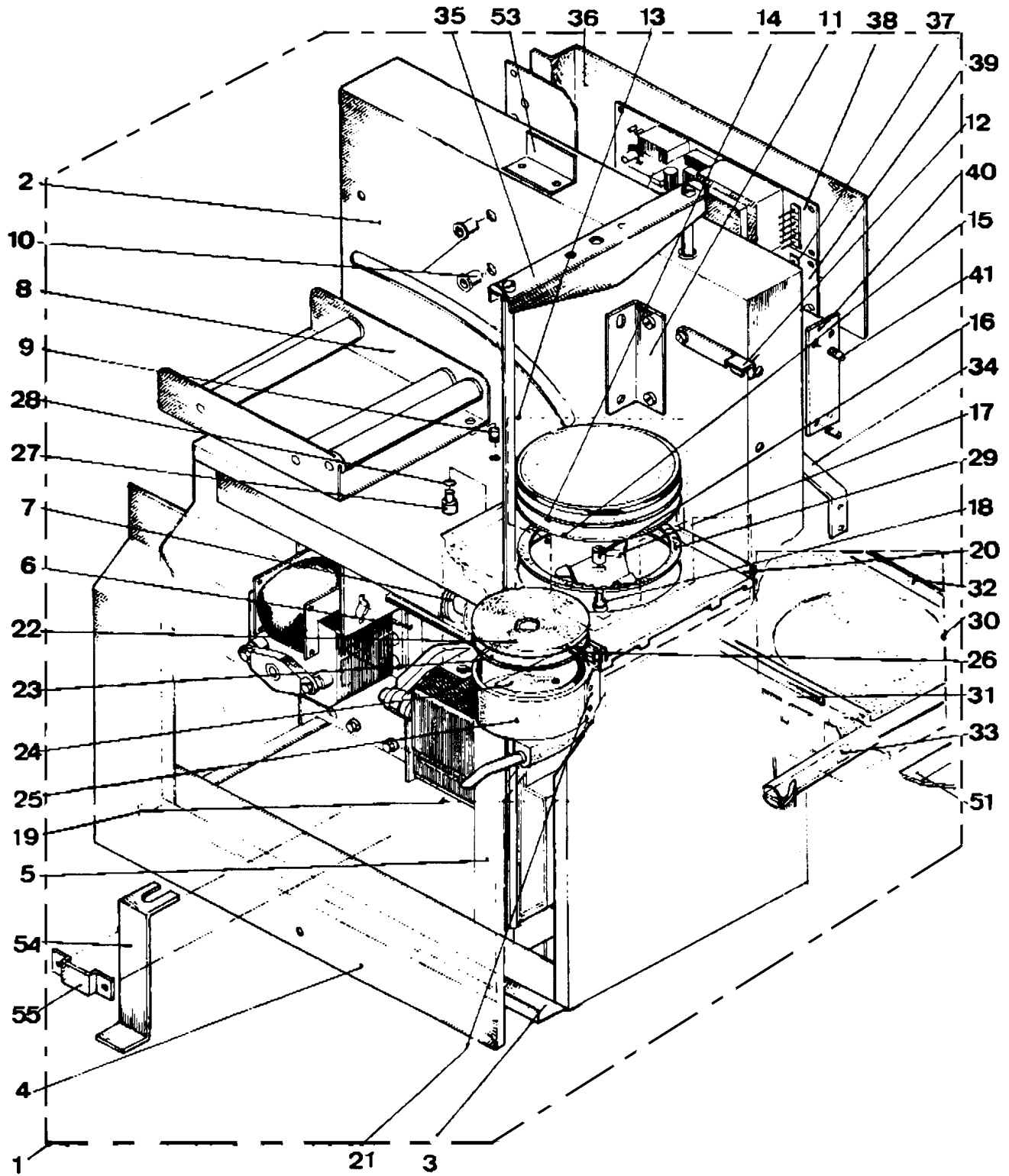


A10423

FINAL ASSEMBLY

ITEM	DESCRIPTION
1	Filter Plate - See Page 4
2	Brewer Cylinder Assembly – See Page 10
3	Bracket for Brewer - See Page 4
4	Brewer Motor Assembly – See Page 12
5	Diffuser – See Page 4
6	Bracket for Brewer Motor – See Page 12
7	Scraper Mechanism – See Page 8
8	Timer – See Page 12

BREWER ASSEMBLY



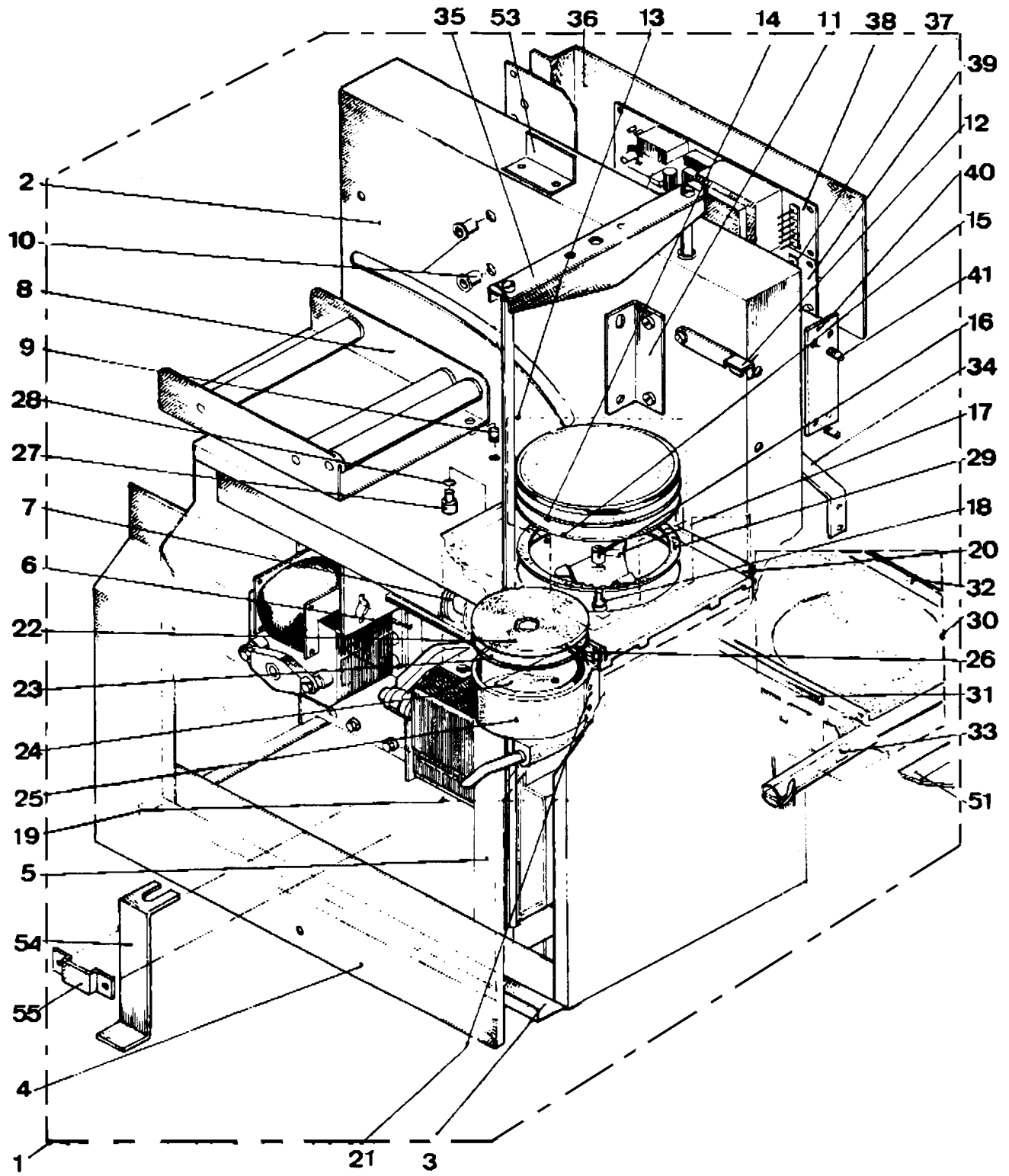
A10424

BREWER ASSEMBLY

ITEM	PART NUMBER	QTY	DESCRIPTION
1	1212310	1	Brewer (HBA11)
	1212310-001	1	Brewer (HBA11A)
2	29578900	1	Bracket - Brewer
3	29583000	1	Base Plate
4	29590000	1	Cover - Timer
	09171610	3	Screw (AP* for Item 4)
5	(12R.05)	1	Bracket For Brewer Motor
6	(08R.03)	1	Bracket For Scraper Motor
7	(12R.05)	1	Timer
8	Not Used		
9	29713902	1	Threaded Pin
10	29624300	1	Bushing For Shaft
	09124120	1	Retaining Ring
11	29713800	1	Catch For Guide Pin
	09171614	1	Screw (AP for Item 11)
	09171610	1	Screw (AP for Item 11)
12	29020700	1	Hasp For Clip
	09183410	1	Washer (AP for Item 12)
	09170508	1	Screw (AP for Item 12)
13	29604500	1	Filter For Coffee, Cpl. (HBA11)
	29672700	1	Filter For Tea, Cpl. (HBA11A)
14	29917700	1	Gasket Ring
15	29917500	1	Washer
16	29917600	1	Bushing
17	29917400	1	Spring
18	29623100	1	Collar Screw
19	30104100	1	Filter Plate Cpl. (HBA11)
	30104000	1	Filter Plate Cpl. (HBA11A)
20	29581700	1	Right Rail
	09170508	2	Screw (AP for Item 20)
21	30103800	1	Left Rail
	09170508	2	Screw (AP for Item 21)
22	29626600	1	Lid For Diffuser
23	39400633	1	O-Ring
24	29621700	1	Cover Plate For Diffuser
	09172004	1	Screw (AP for Item 24)
25	29588400	1	Diffuser
	09170508	2	Screw (AP for Item 25)
	09183410	2	Washer (AP for Item 25)
26	29588400	1	Hose
27	29970000	1	Ejector For Gasket
28	39400601	1	O-Ring
29	39415900	1	Gasket
30	29685900	1	Filter Plate Cpl.
31	29685400	1	Left Rail
	00170508	2	Screw (AP for Item 31)

* AP = Attaching Part

BREWER ASSEMBLY CONTINUED



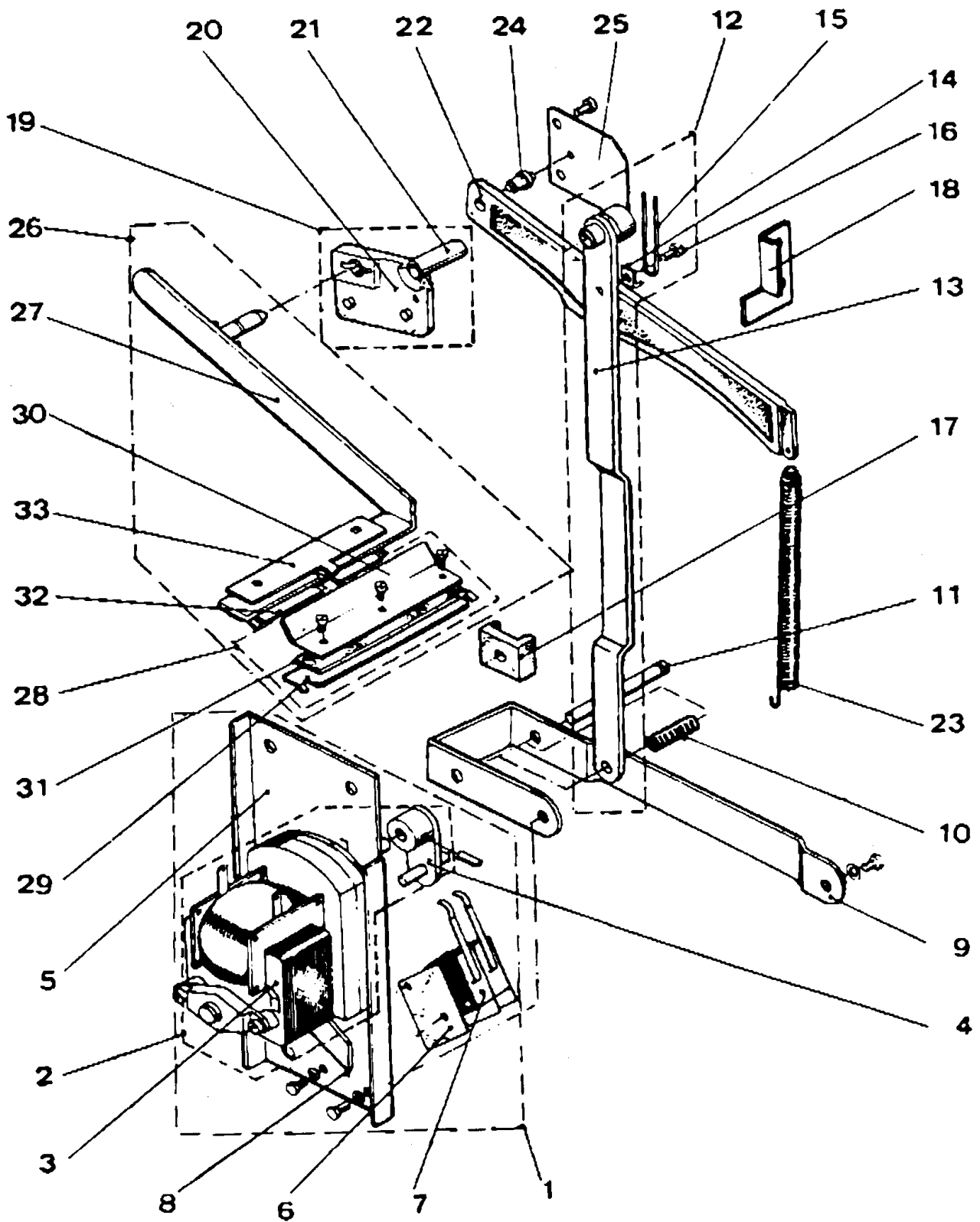
A10424

BREWER ASSEMBLY CONTINUED

ITEM	PART NUMBER	QTY	DESCRIPTION
32	29581700	1	Right Rail
	09170508	2	Screw (AP* for Item 32)
33	Not Used		
34	29590700	1	Holder For Screw Tilt. Arm
	09047105	4	Screw (AP for Item 34)
	09116503	4	Washer (AP for Item 34)
35	(10R.04)	1	Upper Yoke
36	29621500	1	Cover For Pr. Wire Pl. Board
37	29681800	1	Bracket For Pr. Wire Pl. Board
38	46009700	1	Upper PW 34
	09009355	2	Screw (AP for Item 38)
	09102510	2	Nut (AP for Item 38)
39	46009600	1	Lower PW 34 (5 Sec.)
	09009335	2	Screw (AP for Item 39)
	09102510	2	Nut (AP for Item 39)
40	29580700	1	Retaining Plate
	09047105	2	Screw (AP for Item 40)
	09122010	2	Toothed Washer (AP for Item 40)
	09116503	2	Washer (AP for Item 40)
41	29713902	1	Threaded Pin
42	Not Used		
43	Not Used		
44	Not Used		
45	Not Used		
46	Not Used		
47	Not Used		
48	Not Used		
49	Not Used		
50	Not Used		
51	29743000	1	Cover for Coffee Cake
	09015313	2	Screws (AP for Item 51)
52	Not Used		
53	29609800	1	Top Angle
54	30102800	1	Diffuser Lever
55	30102700	1	Guide For Diffuser Lever
	09171610	2	Screw (AP for Item 55)
	09181004	2	Nut (AP for Item 55)
Not Shown	29910500	1	Diffuser
	4205397	1	Brewer Jumper (HBA11 And 11A)
	4205398	1	Brewer Harness (HBA11)
	4207212	1	Brewer Wire (HBA11A)
	4207213	1	Brewer Harness (HBA11A)

* AP = Attaching Part

SCRAPER ASSEMBLY



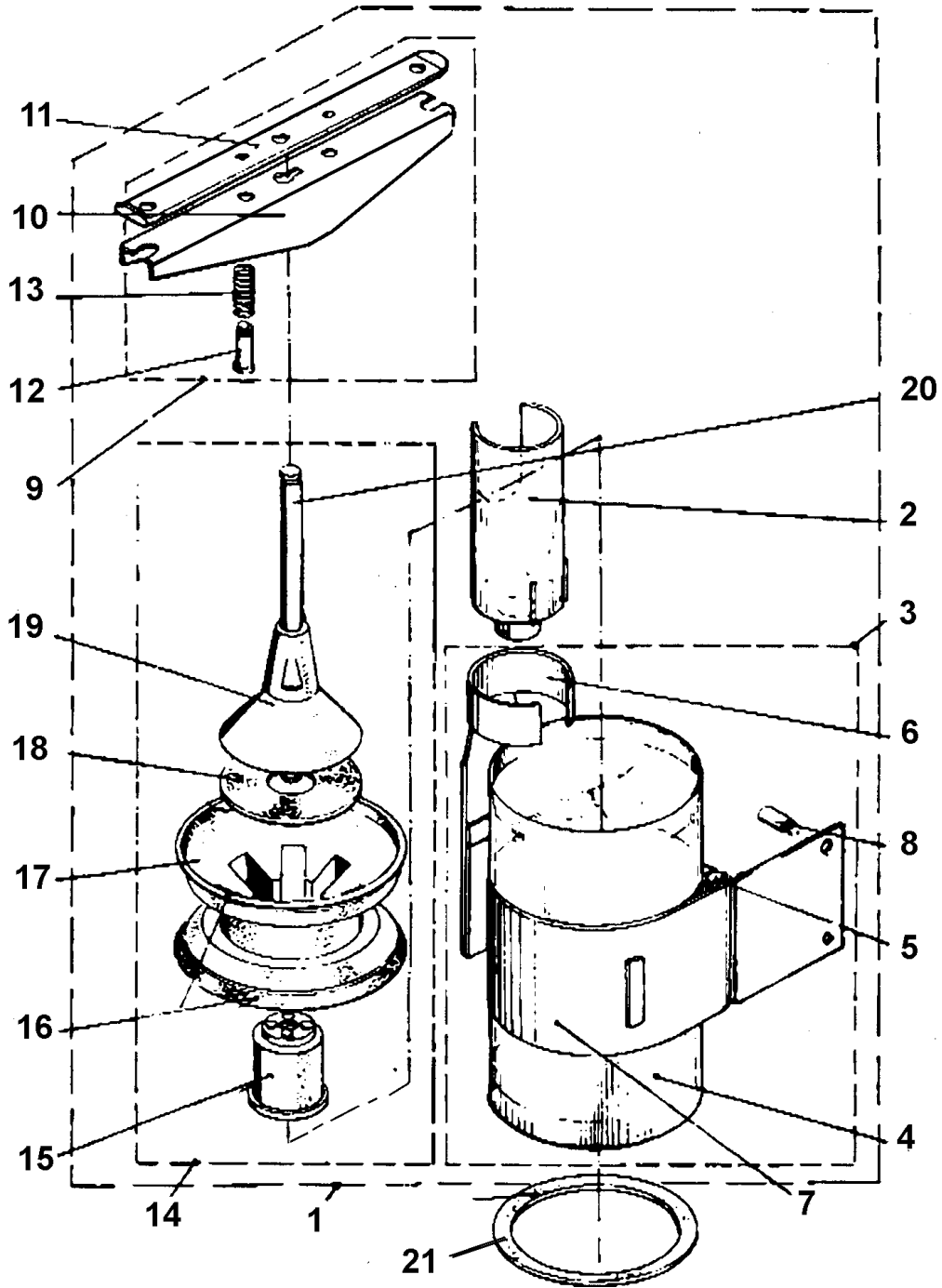
A10425

SCRAPER ASSEMBLY

ITEM	PART NUMBER	QTY	DESCRIPTION
1	29583800	1	Scraper Motor With Bracket
2	29617900	1	Scraper Motor With Crank
	0000609	3	Screw (AP* for Item 2)
	09122010	3	Toothed Washer
3	41507201	1	Scraper Motor
4	29591400	1	Crank
	09157030	1	Collar Pin (AP for Item 4)
5	29590500	1	Bracket For Motor
	09047122	2	Screw (AP for Item 5)
	09116503	2	Washer (AP for Item 5)
	09047105	2	Screw (AP for Item 5)
	09116502	2	Washer (AP for Item 5)
6	39404500	1	Insulation For Switch
7	29739000	1	Switch
	09009380	2	Screw (AP for Item 7)
8	29760000	1	Clamp For Switch
9	29590900	1	Bottom Reinforcing Clamp
	09047122	5	Screw (AP for Item 9)
	00007008	2	Washer (AP for Item 9)
	09116503	3	Washer (AP for Item 9)
10	39213800	1	Spring
11	29591500	1	Shaft
12	29708700	1	Scraper Rocker Lever Cpl.
13	29705900	1	Scraper Rocker Lever
14	41102601	1	Fasten Pin
15	29587400	1	Lock Spring
16	00001415	1	Collar Screw
17	39419800	1	Slide
18	29590800	1	Stop For Holder
	09047105	2	Screw (AP for Item 18)
	09116503	2	Washer (AP for Item 18)
19	29584300	1	Driver Cpl.
20	39415400	1	Driver
21	29593300	1	Activating Lever
22	39415500	1	Holder
23	39211800	1	Spring For Holder
24	29594000	1	Bushing For Holder
25	29594300	1	Bracket For Switch
	09171610	2	Screw (AP for Item 25)
26	29584800	1	Scraper Arm Cpl.
27	29585300	1	Scraper Arm
28	29604900	1	Scraper
29	29585900	1	Back For Scraper
30	29585800	1	Holder
31	29585700	1	Rubber Strip
	09009345	3	Screw (AP for Item 31)
32	29585500	1	Support
	09171610	2	Screw (AP for Item 32)
33	29585400	1	Hinge For Scraper

* AP = Attaching Part

BREWER CYLINDER ASSEMBLY



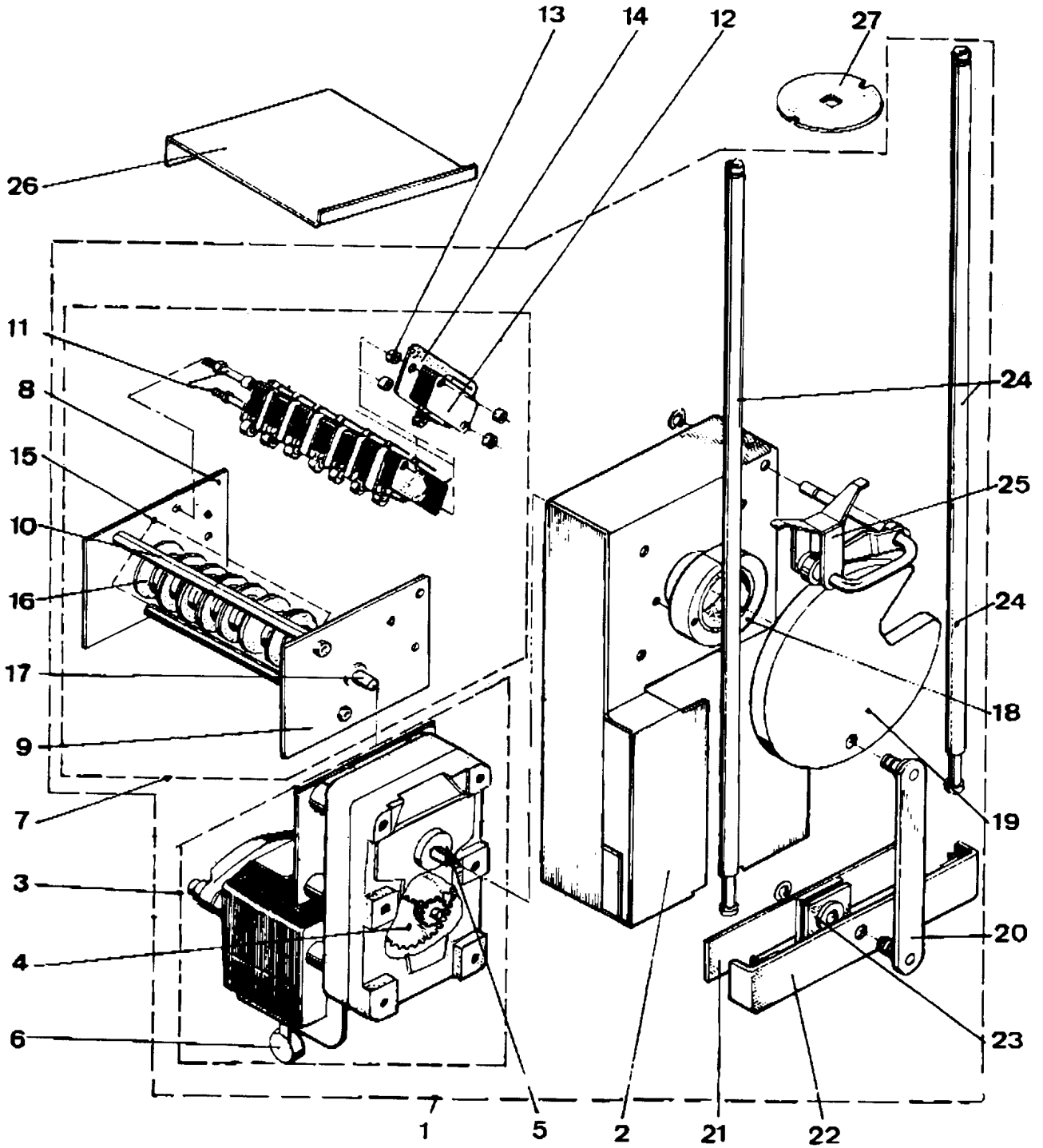
A10426

BREWER CYLINDER ASSEMBLY

ITEM	PART NUMBER	QTY	DESCRIPTION
1	29581600	1	Brewer Cylinder Mount
2	39415200	1	Mixing Bowl
3	29713200	1	Brewer Cylinder Cpl.
4	39414200	1	Brewer Cylinder
5	29713400	1	Hindmost Clamp
6	29671900	1	Clip For Mixing Bowl
	09171610	2	Screw (AP* for Item 6)
	09183105	2	Washer (AP for Item 6)
7	29792400	1	Hindmost Clip for Cylinder
	09171614	1	Screw (AP for Item 7)
8	29713901	1	Guide Pin
9	29604800	1	Upper Yoke Mount
10	29577500	1	Upper Rail
11	29577700	1	Lock
12	29584100	1	Screw
13	29583700	1	Spring
14	29604700	1	Piston Cpl.
15	39414500	1	Plug
16	29572901	1	Gasket
17	29582600	1	Piston
18	29572902	1	Gasket for Valve
19	39414300	1	Valve
20	29573200	1	Rod For Valve
21	60029600	1	Test Ring

* AP = Attaching Part

BREWER MOTOR ASSEMBLY



A10427

BREWER MOTOR ASSEMBLY

ITEM	PART NUMBER	QTY	DESCRIPTION
1	29579100	1	Bracket Cpl.
2	29578800	1	Bracket For Brewer Motor
3	41514901	1	Brewer Motor
	09047139	4	Screw (AP* for Item 3)
	09102525	4	Nut (AP for Item 3)
	09071012	2	Pointed Screw (AP for Item 3)
4	41507102	1	Gear Wheel
5	39101701	1	Key For Brewer Motor
6	42205600	1	RC – Section
7	30137801	1	Timer Cpl. (HBA11)
	30137802	1	Timer Cpl. (HBA11A)
8	30137300	1	Bracket With Bushing
9	30137200	1	Bracket For Timer
10	29698700	1	Spacer
	09122010	2	Toothed Washer (AP for Item 10)
	09047105	2	Screw (AP for Item 10)
11	30137400	1	Shaft For Switch
	09122005	1	Toothed Washer (AP for Item 11)
	09102510	2	Nut (AP for Item 11)
12	41303301	1	Switch
13	29698900	1	Shim For Switch
14	39404500	1	Insulation For Switch
15	30137901	1	Shaft Switch C. Discs (HBA11)
	30137902	1	Shaft Switch C. Discs (HBA11A)
16	29295908	1	Cam Disc (30°)
	29295905	1	Cam Disc (166°)
	09071005	1	Pointed Screw – 1/8x1/4 (AP for Item 16)
17	30137400	1	Shaft For Timer
18	29573300	1	Main Bearing
	00000608	2	Screws (AP for Item 18)
19	30193300	1	Cam Disc With Bushing
	09102530	1	Nut (AP for Item 19)
	09116505	1	Washer ¼ (AP for Item 19)
20	29684100	1	Connecting Rod
	09124120	2	Retaining Ring (AP for Item 20)
21	29577800	1	Lower Outer Yoke
	09047110	3	Screw (AP for Item 21)
22	29577900	1	Lower Inner Yoke
23	39415100	1	Slide
24	29573100	12	Rod For Yoke
25	29604400	1	Hinge Arm Cpl.
	09124110	1	Retaining Ring (AP for Item 25)
26	29699600	1	Drip Screen
27	39434100	1	Rubber Cover

* AP = Attaching Part