



# TABLE TOP GLASSFRONT MERCHANDISER MODEL 3003-MDB

## PARTS MANUAL



# *Table of Contents*

<b><i>GENERAL INFORMATION</i></b> .....	<b><i>1</i></b>
<b>Payment</b> .....	<b>1</b>
<b>Order By Mail</b> .....	<b>1</b>
<b>To Order By Fax</b> .....	<b>1</b>
<b>To Order By Phone</b> .....	<b>1</b>
<b>Returns</b> .....	<b>1</b>
<b>Limitation Of Liability</b> .....	<b>1</b>
<b><i>FINAL ASSEMBLY</i></b> .....	<b><i>2</i></b>
<b><i>CABINET BOTTOM ASSEMBLY</i></b> .....	<b><i>4</i></b>
<b><i>CABINET TOP ASSEMBLY</i></b> .....	<b><i>6</i></b>
<b><i>TRAY ASSEMBLY</i></b> .....	<b><i>8</i></b>

## **GENERAL INFORMATION**

You may order parts from your distributor or from VendNet™. If you have any questions when placing your order, please call and we'll be happy to assist you.

Please provide the following information when placing your order:

- Quantity Required
- Part Number
- Description of the part
- Shipping and Billing Address
- Description
- Preferred Method of Shipment
- Vendor Model Number
- Customer Account Number
- Serial Number

MINIMUM ORDER \$25.00. You may wish to inquire on prices of parts at the time of your order. If you order less than the minimum, please check our catalog for other parts you may require to bring your order up to the minimum order.

## **Payment**

OPEN ACCOUNT with approved credit.

MASTER CARD - VISA - C.O.D.

## **To Order By Mail**

You may place your order for replacement parts by providing the necessary information as requested above, and mailing your order to:

VendNet™  
165 North 10th Street  
Waukee, Iowa 50263-0488

Order forms are available upon request from VendNet™, or you may use your own purchase order form.

## **To Order By Fax**

1-515-987-4447

You may Fax your order for replacement parts by providing the necessary information as requested above to VendNet™.

If you have any questions, check out our Website: <http://www.vendnetusa.com> or please call VendNet™. Ask for the Parts Department. We will be happy to assist you. E-Mail: [VendNet@Ecity.net](mailto:VendNet@Ecity.net)

## **To Order By Phone**

USA 1-800-833-4411

Canada 1-800-858-4730

Other locations 1-515-274-3641

You may call in your order for replacement parts. Ask for VendNet™ Parts Department. Please provide the necessary information, as requested above, to allow us to provide you with prompt courteous service.

## **Returns**

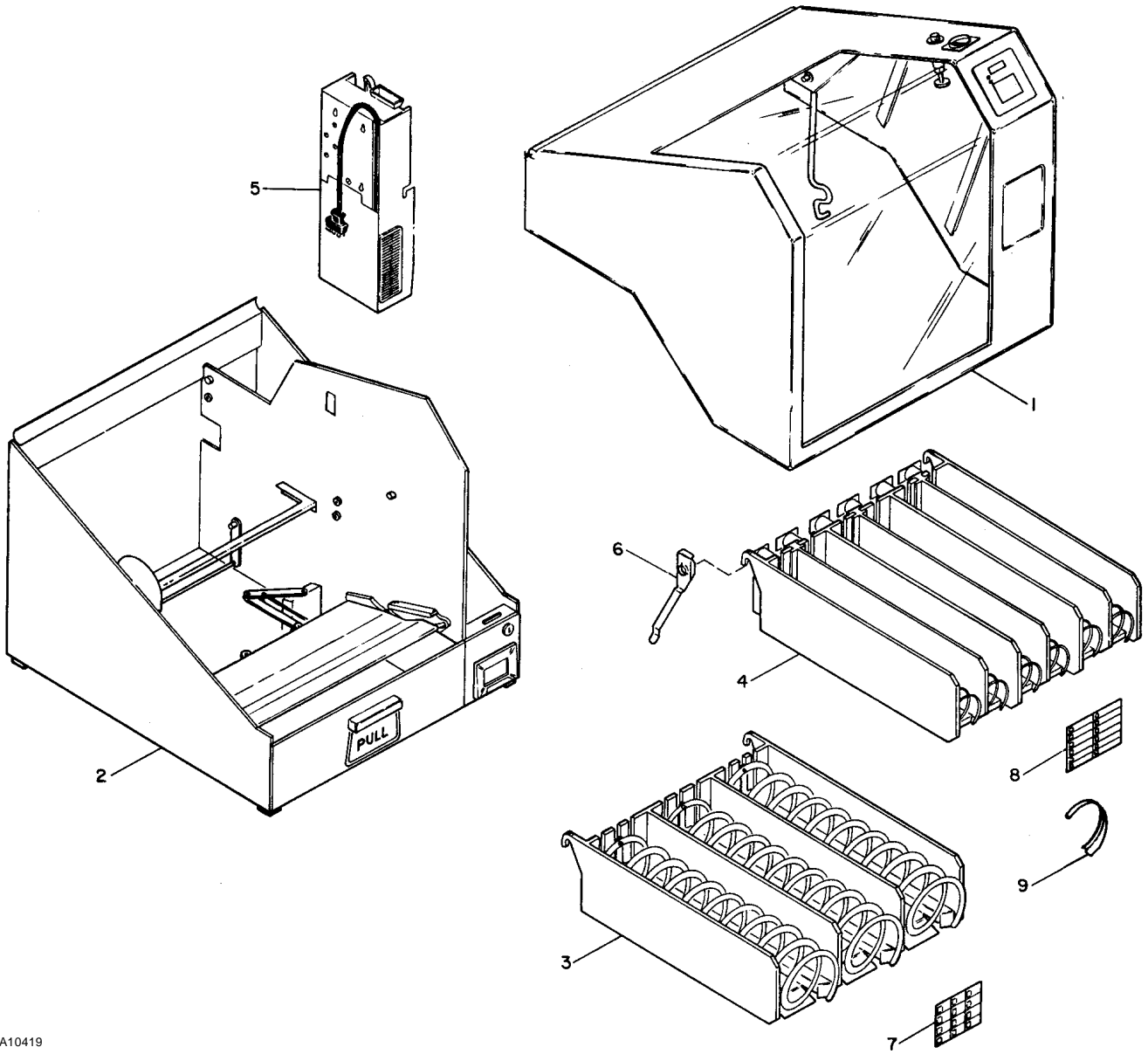
RESTOCKING CHARGE 20%. A restocking charge of 20% will apply to merchandise accepted by VendNet™ for return, except items processed as warranty.

All returned items must be accompanied by a Return Form clearly stating the reason. Returns are to be shipped freight prepaid to VendNet™, 165 North 10th Street, Waukee, Iowa 50263-0488. (Return Forms are available upon request from VendNet™.)

## **Limitation Of Liability**

VendNet™ shall not be liable for any injury, loss or damage, whether direct, incidental or consequential arising out of the use of or the inability to use any part, parts or products sold by VendNet™. The remedies of the buyer set forth herein are exclusive, and the liability of VendNet™. With respect to any contract or sale or anything done in connection herewith, whether in connection therewith, whether in contract, in tort, under any warranty, or otherwise, shall not, except as expressly provided herein, exceed the price of the part, parts or products on which such liability is based. Any statements or representations about the parts or product, other than those contained herein, do not constitute warranties and shall not be relied on by the buyer and shall have no force of effect unless contained in a written agreement signed by officers of VendNet™.

# FINAL ASSEMBLY

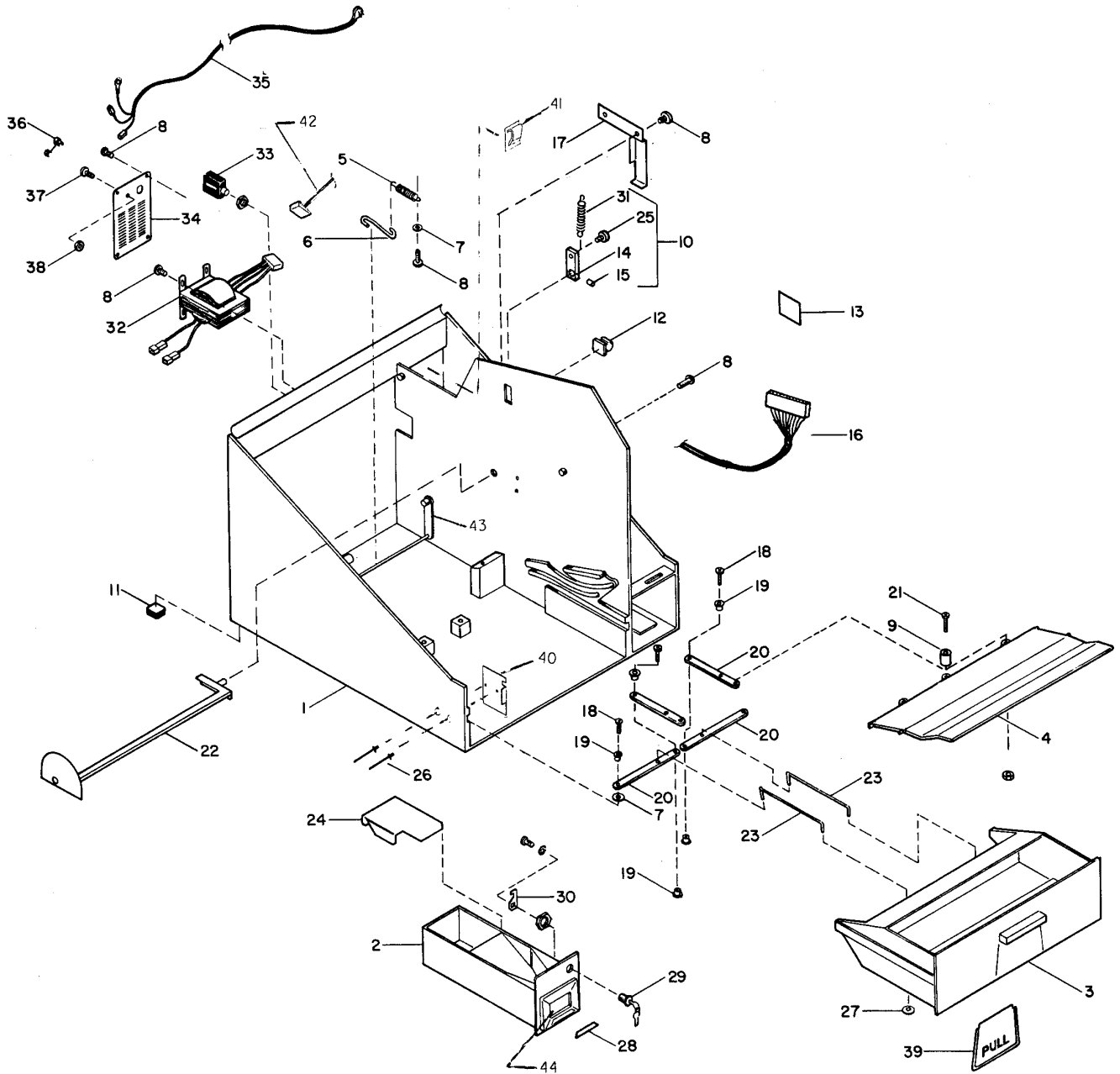


A10419

## FINAL ASSEMBLY

ITEM	PART NUMBER	QTY	DESCRIPTION
1		1	Complete Top Cabinet Assembly – See Page 6
2		1	Complete Bottom Cabinet Assembly – See Page 4
3	1214402-001	1	Tray Assembly – 3-Select – See Page 8
4	1214402-002	1	Tray Assembly – 6-Select – See Page 8
5	4206699-001	As Required	Coin Mechanism – GBP-G801 Globola – Great Britain
	4206699-023	As Required	Coin Mechanism – GB-803 Globola – Great Britain
	4200419-GX	As Required	Coin Mechanism – 9302GX Coinco - USA
6	4200239	1	Tray Hold Down
7	4208273	1	Selection Label
8	4020867	1	Price Sheet - \$0.25 - \$0.60
	4020868	1	Price Sheet - \$0.65 - \$1.00
	4020869	1	Price Sheet - \$1.05 - \$1.40
	4200012	Optional	Price Sheet - \$1.45 - \$1.80
	4200013	Optional	Price Sheet - \$1.85 - \$2.35
	4200014	Optional	Price Sheet - \$2.40 - \$3.15
9	4025748	6	Product Ejector (6-Select Tray)
Not	4208252	1	Service Manual
Shown	4050788	2	10x1-1/2 Phillips RH Wood Screw (Attaching Part for Tabletop to Surface)

# CABINET BOTTOM ASSEMBLY

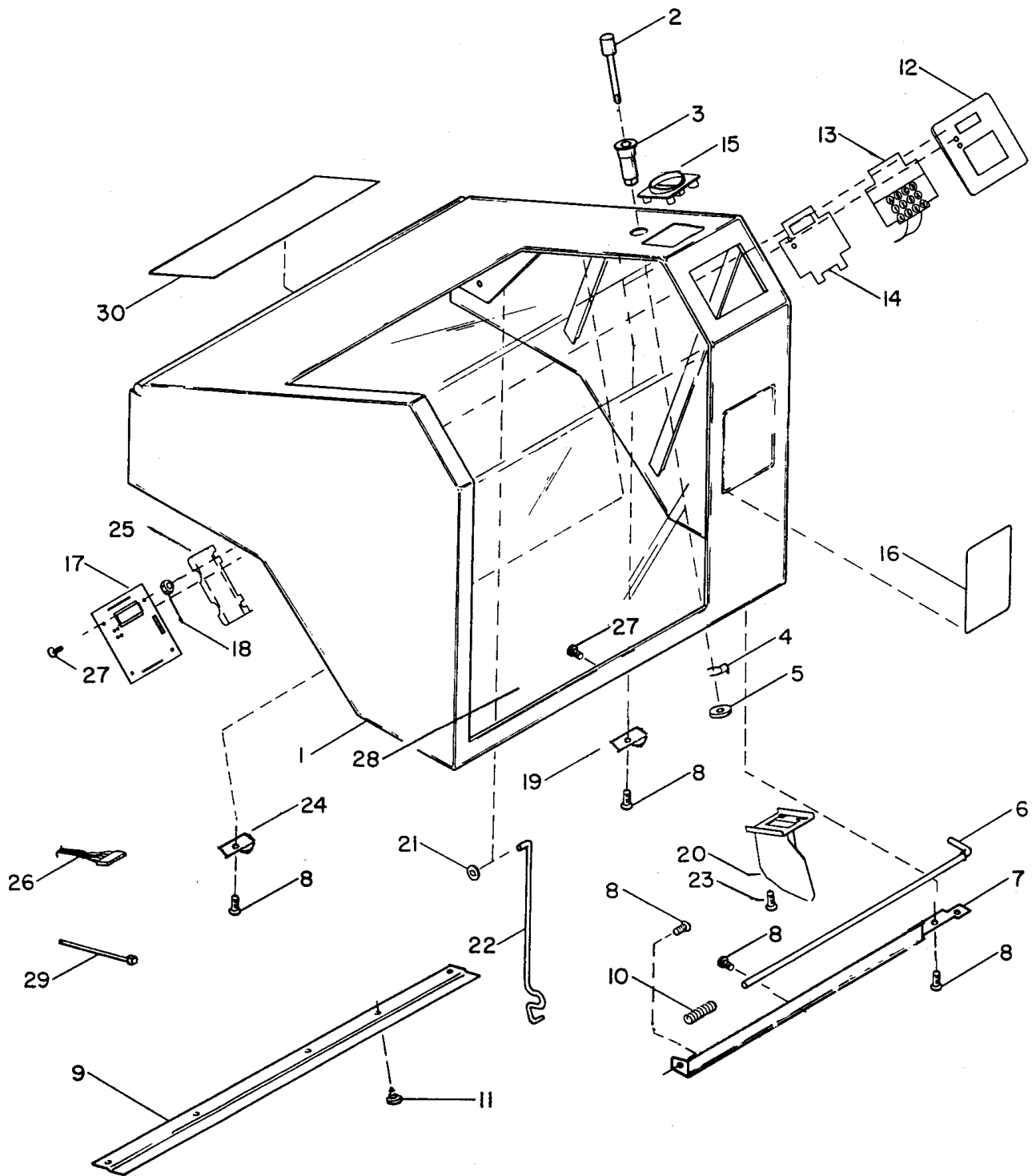


A10420

## CABINET BOTTOM ASSEMBLY

ITEM	PART NUMBER	QTY	DESCRIPTION
1	1214398	1	Cabinet Bottom & Back Assembly
2	1214403	1	Coin Drawer Assembly
3	4025781-001	1	Delivery Drawer
4	4025779-001	1	Anti-Theft with Rods
5	4021066	1	Spring
6	4060073	1	Spring Hook
7	8801011	3	#8 Washer
8	8800636	12	8-18x1/2 Phillips PH Type B
9	4030412	2	Bushing
10	1200061	1	Cam Assembly
11	4200238	5	Cabinet Feet – Self-Adhesive
12	4200330-003	1	Clip – Deklip Series 025
13	4200032-000	1	Made In USA Label
14	8620647-002	1	Cam
15	4050205	1	8-32 Set Screw
16	4208256	1	Main Harness
17	4200184	1	Prop Retainer
18	4050337	4	10-32x5/8 Phillips RH
19	4030412	8	Bushing – Slide Linkage
20	4205110	4	Link – Plated
21	4050337	2	10-32x5/8 Phillips RH
22	1200058	1	Loading Support Weld Assembly
23	4060700	2	Slide Pull Wire – Anti-Theft
24	4200213	1	Coin Stop
25	4050204	1	8-32x1/4 Phillips PH MS
26	4050667	2	1/8x1/4 Aluminum Pop Rivet
27	8337564	4	1/8” Push On Nut
28	4203903	1	Change Label
29	4060710	1	Lock w/ Keys
30	4003077-002	1	Lock Cam (Use with Item 30)
31	4021015	1	Spring - .275 x 1-7/8
32	4209221	1	Transformer Assembly – 230 V
	4208271	1	Transformer Assembly – 220 V, 230 V, 240 V
	4206570-000	1	Transformer Assembly – 115 V
33	4033071	1	3 Amp Circuit Breaker
34	4003064	1	Transformer Cover
35	4208462-004	1	Power Cord – 230 V
	4202512-005	1	Power Cord – 220 V, 230 V, 240 V
	4033631-006	1	Power Cord – 115 V
36	4033683	1	Bushing – Strain Relief
37	4050240	1	8-32x3/8 Phillips PH MS
38	4050513	1	8-32 Twin Whiz Lock Nut
39	4200057	1	Delivery Drawer Label
40	4200642	1	Lock Tab Replacement
41	8370959-3	1	Locking Clamp 3/4” – Self Adhesive
42	4208272	1	Power Harness – 24 V
43	4060702	1	Tray Pivot
44	7200102-000	1	Coin Return Flap

# CABINET TOP ASSEMBLY



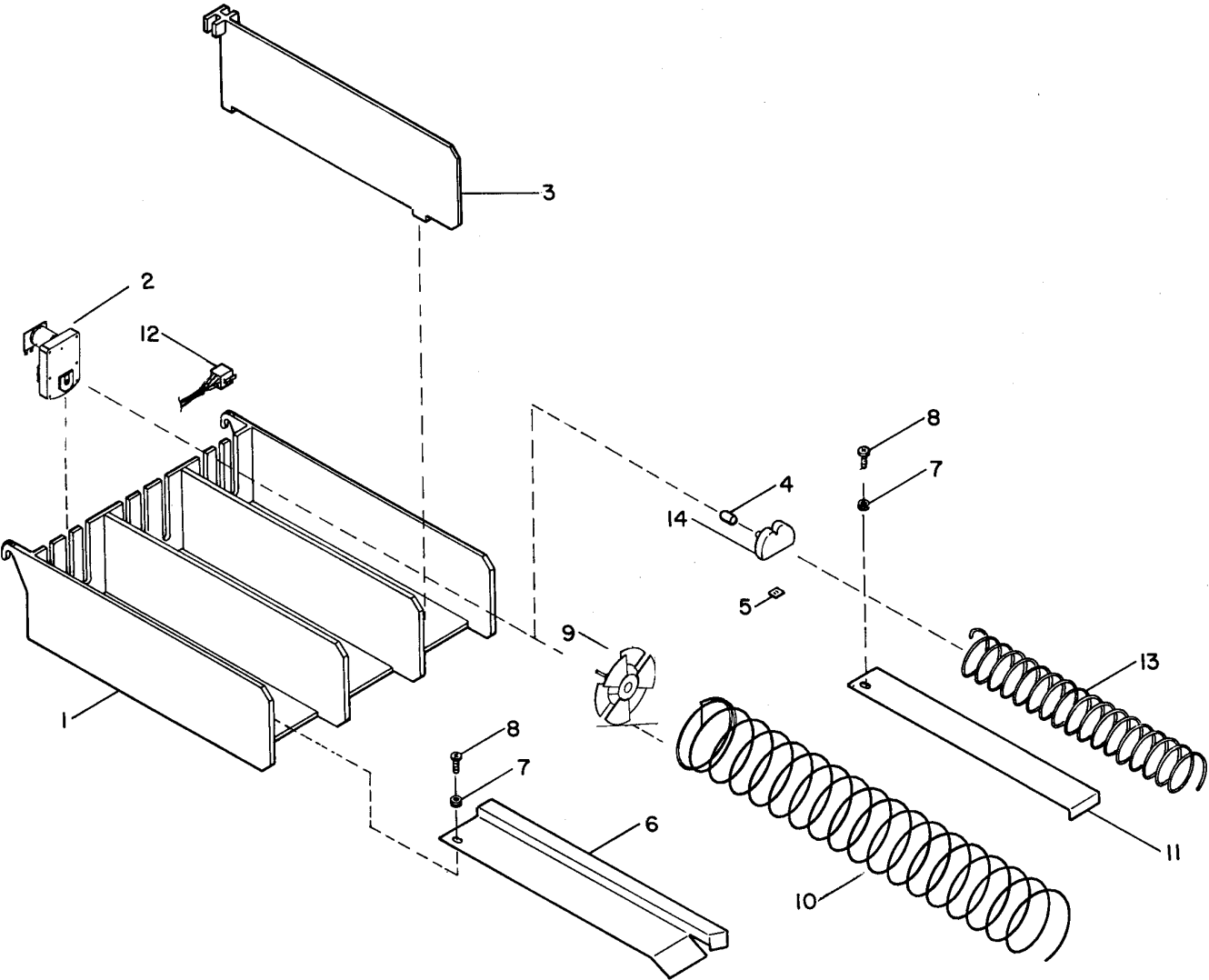
A10421



## CABINET TOP ASSEMBLY

ITEM	PART NUMBER	QTY	DESCRIPTION
1	4025790-001	1	Cabinet Top
2	4025793	1	Coin Return Plunger
3	4025791	1	Coin Return Plunger Holder
4	4060708	1	Spring Clip (Attaching Part for Item 3)
5	4025792	1	Plunger End
6	4060705	1	Lock Bar
7	4200168	1	Lock Bar Holder
8	8800636	5	8-18x1/2 Phillips PH Type B (Attaching Part for Items 6, 7, 19 and 24)
9	4200181	1	Top Window Retainer
10	4202731	1	Spring – Lock Bar
11	4200312	5	6-20x5/16 Hex Washer Hd SMS (Attaching Part for Item 9)
12	4205750	1	Selector Bezel
13	4208251	1	Keypad
14	4208255	1	Keypad Plate
15	4208370	1	Coin Insert
16	4208253	1	Label – Operating Instructions
17	4205763	1	Control Board
18	4050747	4	¼ Stamped Hex Nut (Attaching Part for Item 12)
19	4060116	1	Plastic Wire Clamp 3/8”
20	1214360	1	Coin Chute Weld Assembly
21	4200088	1	Push On Nut
22	4200171	1	Top Prop
23	4050423	4	8-18x3/8 Phillips PH Type AB (Attaching Part for Item 20)
24	8324099-6	1	Clamp – 3/8 x ½
25	4208625	1	Board Guide
26	4208256	1	Main Harness
27	8800631	5	6-20x1/2 Phillips PH Type B (Attaching Part for Items 7 and 25)
28	4025795	1	Window
29	4033704	1	Cable Tie
30	4208254	1	Service Mode Label

# TRAY ASSEMBLY



## TRAY ASSEMBLY

ITEM	PART NUMBER	DESCRIPTION	3-SELECT QTY	6-SELECT QTY
	1214402-001	3 Select Tray Assembly	1	
	1214402-002	6 Select Tray Assembly		1
1	4025780-001	Black Tray	1	1
2	4203432-002	24 VDC Motor – 360 Degree	3	6
3	4025778-001	Tray Divider		3
4	4050548-002	Long Black Screw Cover	3	6
5	8337564	.125 Dia. Stud Push Nut		6
6	4003079-000	Adjustable Shelf	3	
7	4033967	Rubber Grommet	3	6
8	8800636	8-18x1/2 Phillips PH Type B	3	6
9	4202015	Auger Coupling	3	
10	4200272-030	Auger – 8 Select	3	
11	4003078	Adjustable Shelf		6
12	4208257	Tray Harness	1	1
13	4200273-002	Auger – 2-1/4” 11 Select (Use with Item 14)		3
	4060703-001	Auger – 2-1/4” 14 Select (Use with Item 14)		3
14	4025771	Small Auger Adapter		6