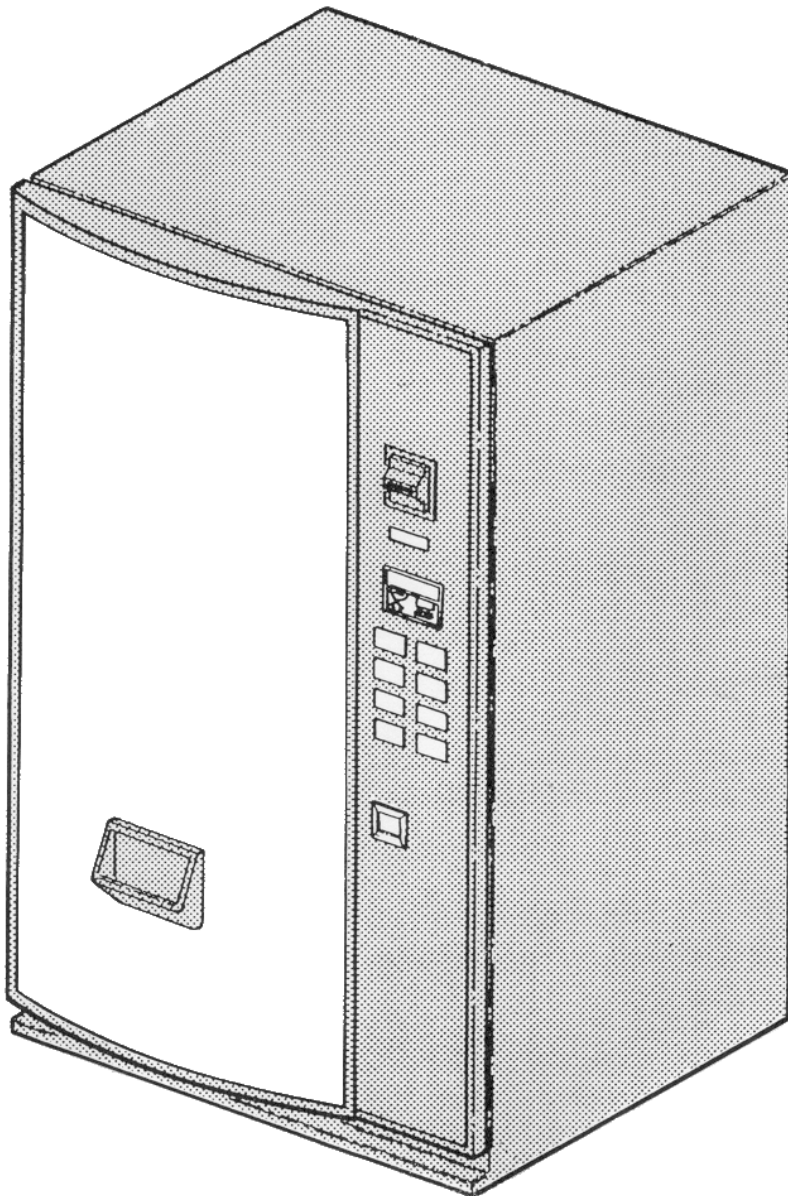




CD-8 Can Drink Machine Model MDB



PARTS MANUAL

TABLE OF CONTENTS

GENERAL INFORMATION.....	ii	CABINET ASSEMBLY.....	14
OPTIONS AND ACCESSORIES.....	1	Double Depth Can Rack Assembly.....	16
FINAL ASSEMBLY.....	2	Single Depth Can Rack Assembly.....	18
INNER DOOR ASSEMBLY.....	4	Upper Ejector Mechanism Assembly.....	20
COMPLETE DOOR ASSEMBLY.....	6	Lower Ejector Mechanism Assembly.....	20
Coin Insert Casting Assembly.....	8	REFRIGERATION ASSEMBLY.....	22
Coin Mechanism Door Assembly.....	9		
Transformer Plate Assembly.....	10		
Pushbutton and Selection Switch Bracket Assemblies.....	10		
Validator - Controller Components.....	11		

KEY

24V	24 Volt	AP	Attaching Part
115V	115 Volt AC	CC	Commodity Code
230V	230 Volt AC		

COMMODITY CODE

AS	Assembly	RA	Rails
BU	Bushing	RC	Refrigeration Component
CB	Control Board	RE	Relay
CL	Clip	RI	Rivet
CO	Compressor	RU	Rubber
CP	Clamp	SC	Fastener
EL	Electrical Component	SF	Sign Face
FA	Fan	SL	Slide
FU	Fuse, Breaker	SM	Screw-Machine
GA	Gasket	SP	Spring, Auger
GR	Grommet	ST	Stamping, Bracket
HA	Harness	SW	Switch
HI	Hinge	TA	Tape
IN	Insulation	TC	Temperature Control, Thermostat
LA	Label, Tag	TU	Tubing
LE	Leg, Leveler	WA	Washer
LO	Lock	WD	Wood
LP	Lamp	WE	Welded Assembly
MA	Manual	WT	Wire Tie
NU	Nut	XF	Transformer, Ballast
PI	Pin		
PL	Plastics		

GENERAL INFORMATION

You may order parts from your distributor or from VendNet™. If you have any questions when placing your order, please call and we'll assist you. Please provide the following information when placing your order:

- Quantity Required
- Part Number
- Description of part

NOTE

When "Right" and "Left" are used with a part name, it is taken to mean that the person is facing the machine with the door closed.

- Vendor Model Number
- Vendor Serial Number
- Shipping and Billing Address
- Preferred Method of Shipment
- Customer Account Number

You may wish to inquire on prices of parts and minimum order amount at the time of your order. If you order less than the minimum, please check our catalog for other parts you may require to bring your order up to the minimum amount.

VendNet™ reserves the right to change these requirements without notice.

Payment

OPEN ACCOUNT with approved credit.

MASTER CARD – VISA – DISCOVER – C.O.D.

To Order by Mail

You may place your order for parts by providing the necessary information as requested above, and mailing your order to:

VendNet™
165 North 10th Street
Waukee, Iowa 50263-0488

Order forms are available upon request from VendNet™, or you may use your own purchase order form.

To Order by Fax

1-515-987-4447

You may Fax your order for replacement parts by providing the necessary information as requested above to VendNet™.

To Order by Phone

USA 1-800-833-4411
Canada 1-800-858-4730
Other locations 1-515-274-3641

You may call in your order for replacement parts. Ask for VendNet™ Parts Department. Please provide the necessary information, as requested above, to allow us to provide you with prompt courteous service.

Returns

RESTOCKING CHARGE 20%. A restocking charge of 20% will apply to merchandise accepted by VendNet™ for return, except items processed as warranty.

All items returned must be accompanied by a Return Form clearly stating the reason for return. Returns are to be shipped freight prepaid to VendNet™, 165 North 10th Street, Waukee, Iowa 50263-0488. (Return Forms are available upon request from VendNet™.)

Limitation of Liability

VendNet™ shall not be liable for any injury, loss or damage, whether direct, incidental or consequential arising out of the use of or the inability to use any part, parts or products sold by VendNet™. The remedies of the buyer set forth herein are exclusive, and the liability of VendNet™. With respect to any contract or sale or anything done in connection herewith, whether in connection therewith, whether in contract, in tort, under any warranty, or otherwise, shall not, except as expressly provided herein, exceed the price of the part, parts or products on which such liability is based. Any statements or representations about the parts or product, other than those contained herein, do not constitute warranties and shall not be relied on by the buyer and shall have no force of effect unless contained in a written agreement signed by officers of VendNet™.

If you have any questions, check out our Website

<http://www.vendnetusa.com>

or please call VendNet™.

Ask for the Parts Department.

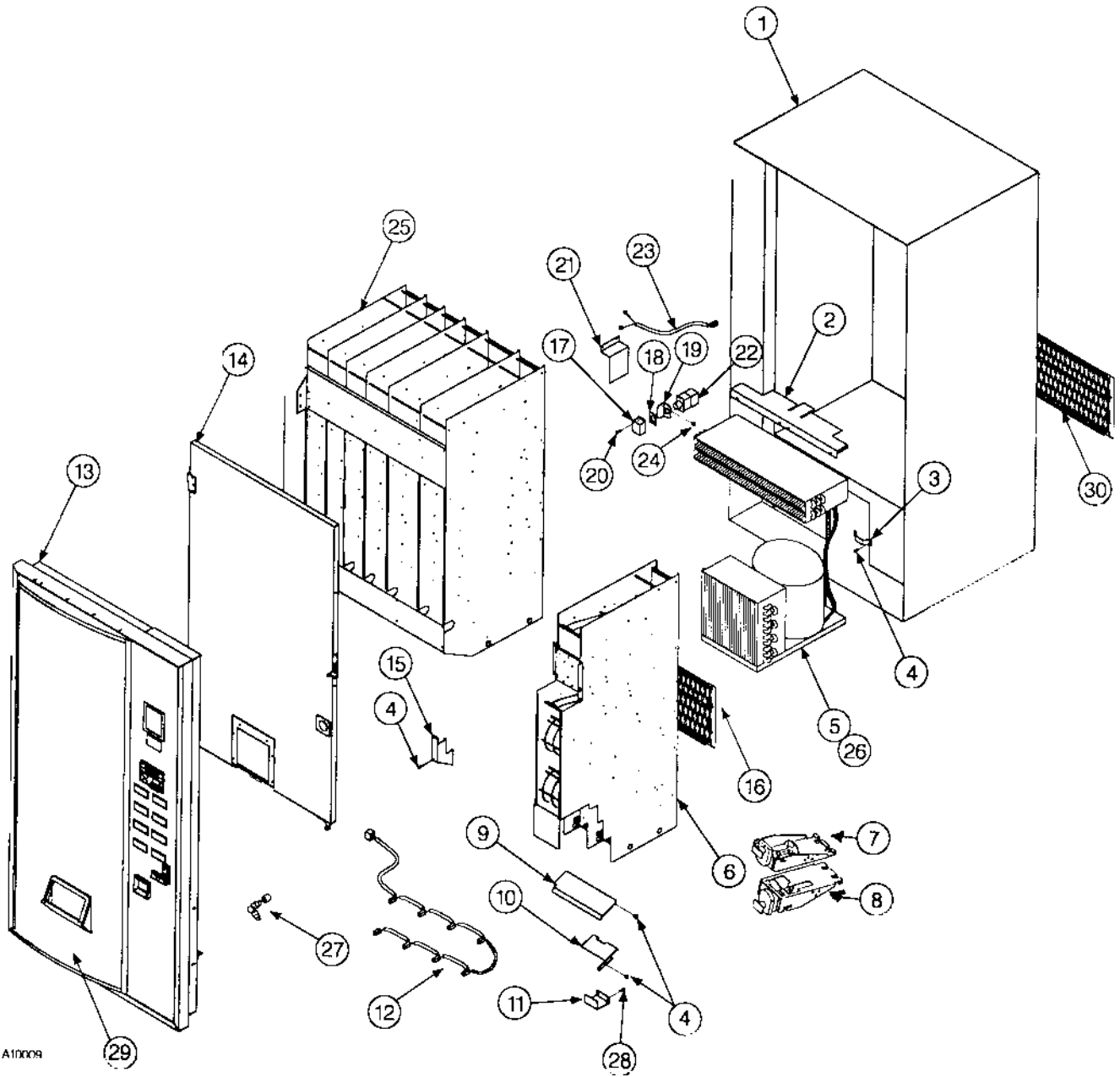
We will be happy to assist you.

E-Mail: VendNet@Ecity.net

OPTIONS AND ACCESSORIES

PART NUMBER	QTY	DESCRIPTION	CC
1214578	1	Service Package	AS
1211018	1	Can Stop Assembly	AS
4201846	1	Can Stop Instructions	LA
4202690-xxx	1	Price Labels – Specify Prices	LA
4209105	1	Service Manual	MA
4207074	1	Instructions – Anti Cheat Installation	PR
4060366	A/R	Lock - Coin Box	LO
1200137-174	A/R	Heater Kit	
1200137-260	A/R	Drain Pan Heater Kit (230V)	
1200137-165	A/R	Outer Door Hasp Kit	
4202975	A/R	Rain Guard	
7202038-000	A/R	Custom Lock Cylinders (Coded To Customer Specs.)	
4206699-001	A/R	Coin Mechanism GBP-G801 Globala GB	CM
4206648	A/R	Coin Mechanism Harness – GBP-G801 Globala GB	HA
	A/R	Validator – Contact your Service Entity	CM
	A/R	Validator Harness – Contact your Service Entity	HA
4201907	1	Validator Plate – Used with no Validator – See Page 6	WE
4202744-xxx	1	Graphics Sign Face - Specify Design	SF

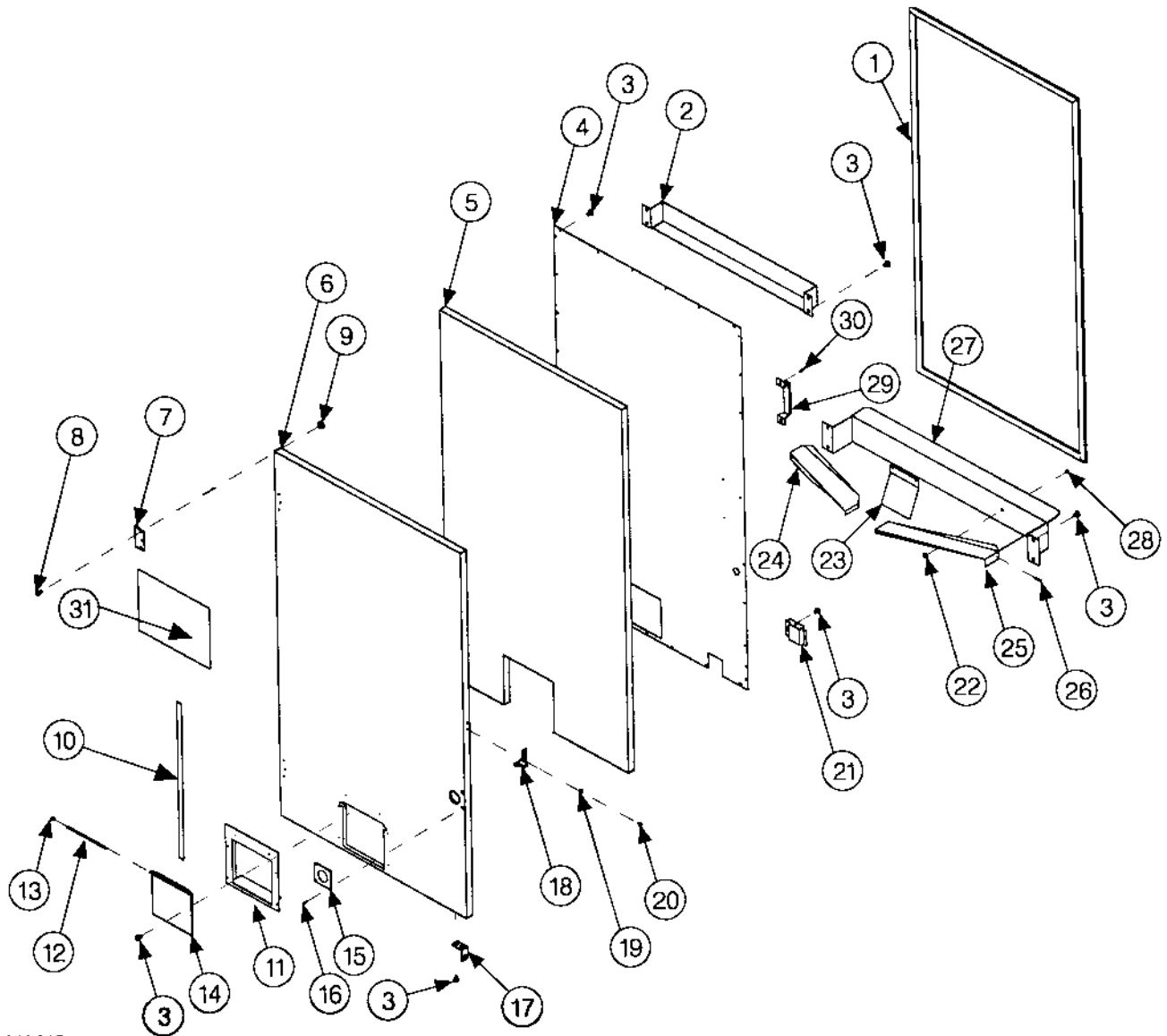
FINAL ASSEMBLY



FINAL ASSEMBLY

ITEM	PART NUMBER	QTY	DESCRIPTION	CC
1	1211414-003		Cabinet Assembly – See Page 14	
2	4201979	1	Air Baffle	ST
3	4202883	1	Line Retainer	ST
4	4050202	4	8-18x1/2 Phillips HWH Tek	SC
5	1212325-002	1	Refrigeration Assembly - R134a - See Page 22	AS
6	1211395	1	Double Depth Can Rack - See Page 16	AS
7	1211443	7	Upper Ejector Mechanism - See Page 20	AS
8	1211444	1	Lower Ejector Mechanism - See Page 21	AS
9	4202952	1	Can Slide - Upper	ST
10	4202911	1	Can Slide	ST
11	4207556-001	1	Motor Cover	PL
12	4202944	1	Cabinet Harness	HA
13	1212068-002	1	Door Assembly – See Page 6	AS
14	1211402	1	Inner Door Assembly – See Page 4	AS
15	4203254	1	Wire Retainer	ST
16	4209027	1	Front Screen – White	ST
17	4202747	1	Cold Control Cover	ST
18	7333084-000	1	Decal	LA
19	7332408-000	1	Bracket - Thermostat	ST
20	4050234	2	8-32 X 3/8 Phillips TH Ms	SC
21	4206246	1	Thermostat Shield	ST
22	4034324	1	Thermostat	TC
23	7332502-000	1	Service Harness	HA
24	8801204	2	10-16x3/8 Phillips TH w/ETW	SC
25	1211394	1	Single Depth Can Rack - See Page 18	AS
26	4050781	2	5/16-18 X 1¼ HH Taptite	SC
27	4060330	1	Lock Cylinder (W/2 Keys)	LO
28	8800636	10	8-18 X 3/8 Phillips PH Type B	SC
29	4202744-xxx	1	Graphics Sign Face – Specify Design	SF
30	1212800-003	1	Rear Screen Weld	WE
Not	4206939	1	Tilt Label	LA
Shown	4050180	9	8-18x1/2 Phillips PH Tek	SC
	4203252	1	Anti-Cheat Bracket	ST
	4050667	4	1/8x1/4 Alum Pop Rivet	RI
	4025735-900	0.167 Ft	Trim Lok – Black	PL
	7200468-001	8	10-12x1 Phillips TH Type A	SC

INNER DOOR ASSEMBLY

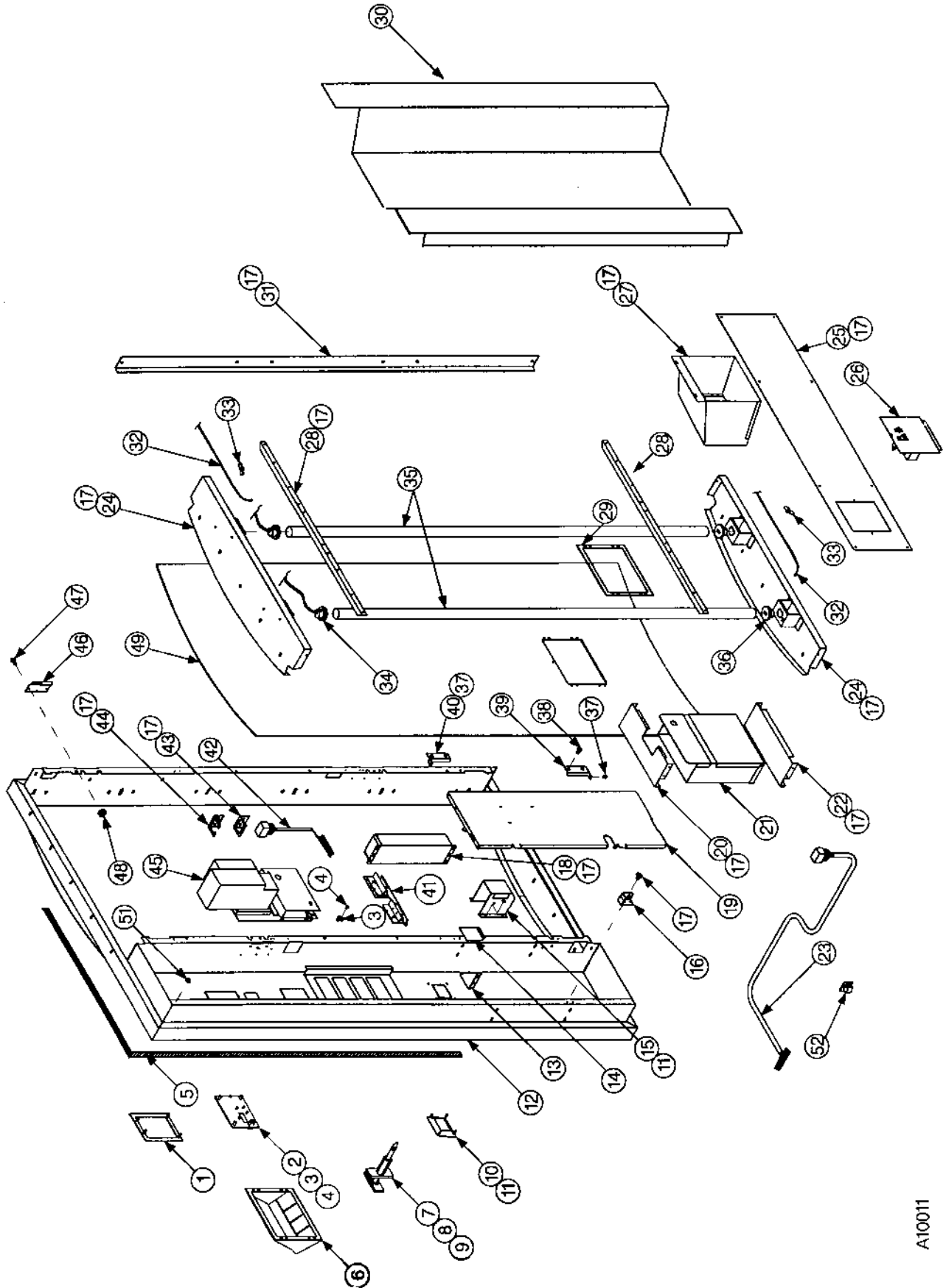


A10010

INNER DOOR ASSEMBLY

ITEM	PART NUMBER	QTY	DESCRIPTION	CC
	1211402	1	Inner Door Assembly	
1	8620054	1	Door Gasket	GA
2	4202969	2	Storage Shelf	ST
3	4050202	45	8-18 X 1/2 Phillips HWH Tek Screw	SC
4	4202865	1	Inner Door Liner	ST
5	4202868	1	Door Insulation	IN
6	1211365	1	Inner Door Weld	WE
7	8620140	2	Door Hinge	HI
8	8800406	6	10-32 X 1/2 Phillips TH W/Etw	SC
9	8800899	6	10-32 Hex Nut	NU
10	4202255	2 Ft.	Gasket - 3/4" W/Adhesive	GA
11	4202758	1	Delivery Chute	PL
12	7200650-001	1	Hinge Pin	PI
13	7091078-000	2	Tubular Speed Nut	NU
14	7334428-001	1	Vend Port Door	PL
15	4202760	1	Lock Funnel	PL
16	4050667	4	1/8 X 1/4 Pop Rivet	RI
17	4205021	1	Inner Door Lock Bracket	ST
18	4202961	1	Inner Door Latch	ST
19	4030100	2	Bushing Spacer	BU
20	4050180	2	8-18 X 1/2 Phillips PH Tek	SC
21	4202882	1	Line Channel	ST
-	1211401	1	Can Slide Assembly	AS
22	4050511	3	8-32 Nut - Two Way Lock	NU
23	4202857	1	Delivery Chute	ST
24	4202860	1	Can Slide - Short	ST
25	4202859	1	Can Slide - Long	ST
26	4050665	6	1/8 X 1/4 Pop Rivet	RI
27	4202884	1	Delivery Support	ST
28	4050240	3	8-32 X 3/8 Phillips PH MS	SC
29	8379196	1	Door Handle	HW
30	8800829	2	10-24 X 3/8 Phillips TH W/Etw	SC
31	4203748	1	Operating Instructions	LA

COMPLETE DOOR ASSEMBLY

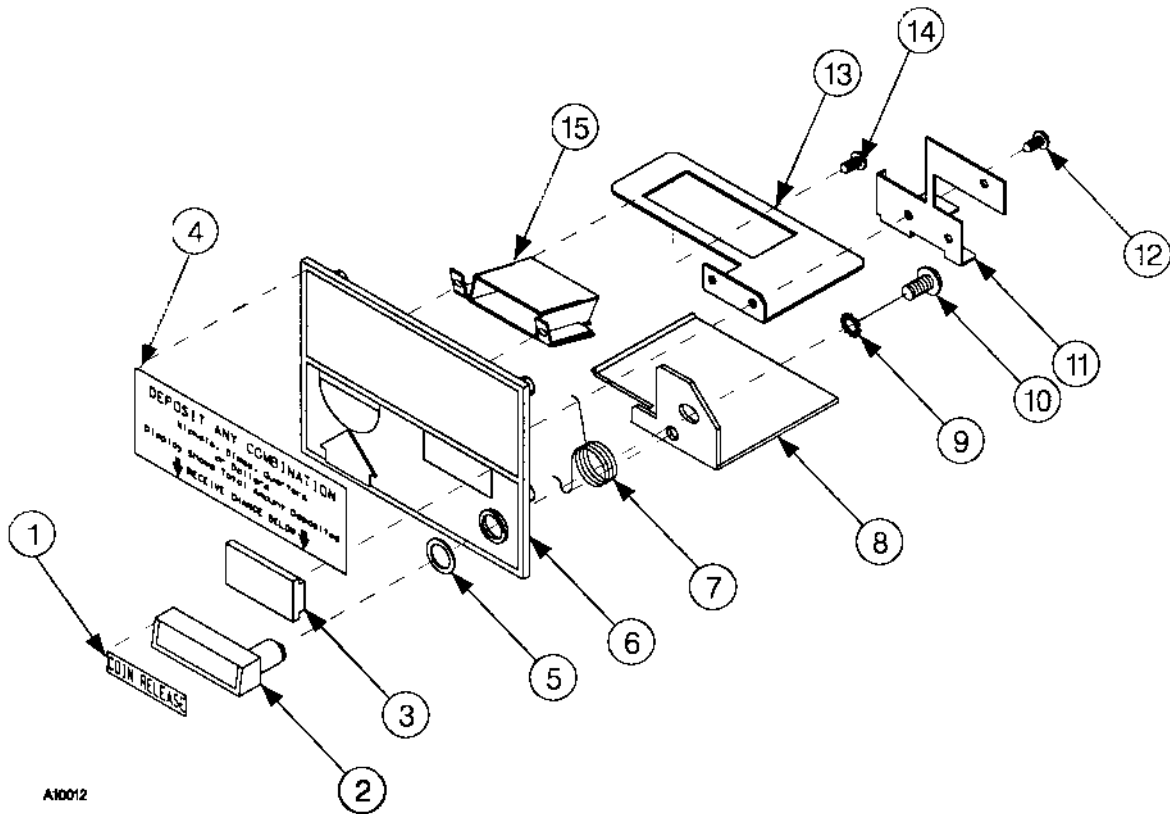


A10011

COMPLETE DOOR ASSEMBLY

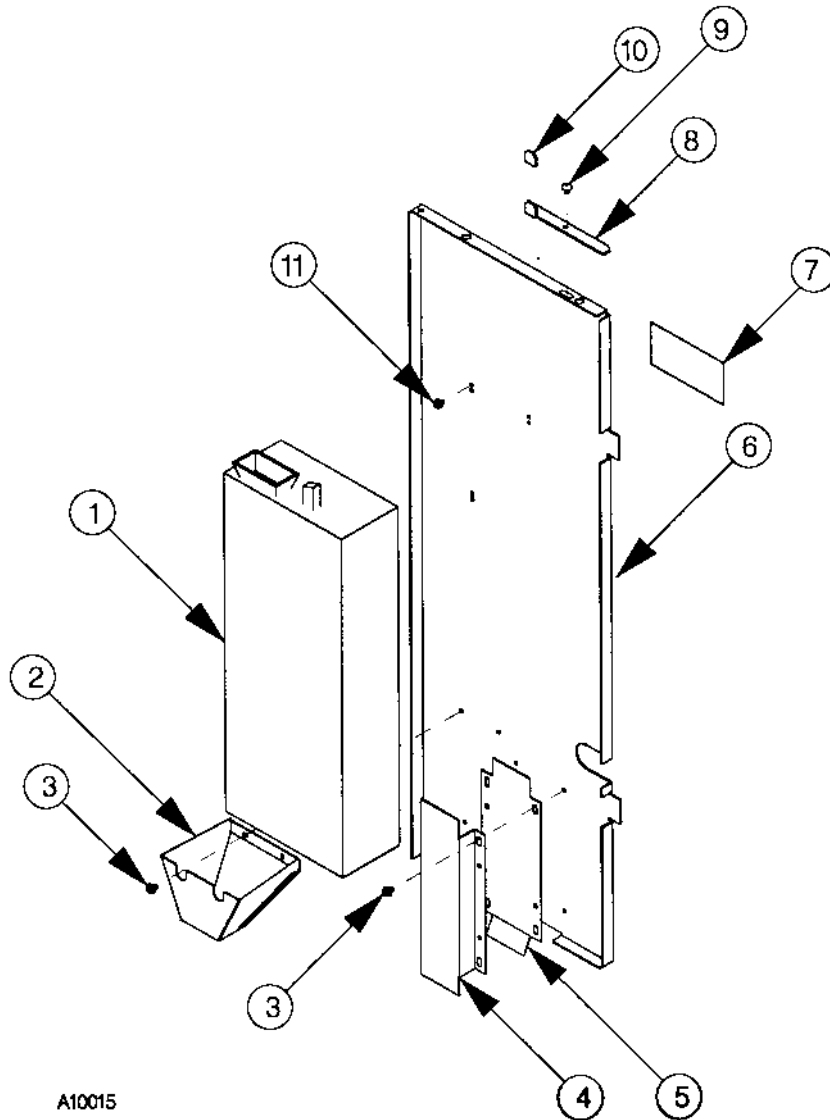
ITEM	PART NO.	QTY	DESCRIPTION	CC	ITEM	PART NO.	QTY	DESCRIPTION	CC
1	1210256-000	1	Validator Plate Weld	RA	33	4060130	5	Press Clip - 1/4"	PL
2	1211406-001	1	Coin Insert Cast Ass'y - See Page 8	AS	34	4202881-001	2	Lamp Holder - Top	EL
3	4009751	2	Coin Insert Retainer Bracket	ST	35	4202751	2	Lamp - F64 T12/Cw - 62"	LP
4	4050212	4	8-32 X 1/4 Phillips PH Type T	SC	36	4202881-002	2	Lamp Holder - Bottom	EL
5	4202255	14.5 Ft	Gasket - 1/4 X 3/4 W/Adhv	GA	37	8800636	7	8-18 X 1/2 Phillips PH Type B	SC
6	4202207-001	1	Delivery Trim	PL	38	8800829	4	10-24 X 3/8 Phillips TH W/Etw	SC
7	4202927-xxx	1	"T" Handle Latch (Specify Color)	LO	39	4203476	1	Mechanism Door Bracket - Bottom	ST
8	8356103	2	10-24x1/2 Carriage Bolt SS	SC	40	4203476-001	1	Mechanism Door Bracket - Top	ST
9	8800957	2	10x24 Hex Nut W/ETW	NU	41	1212059	1	Selection Switch Assembly - See Page 11	AS
10	7334281-xxx	1	Change Bezel (Specify Color)	CA	42	4206648	1	Coin Mechanism Harness-MDB	HA
11	7334982-000	4	.156 Stud Self Thread Nut	NU	43	4202872	1	Plug Bracket	ST
12	1211482-005	1	Door Weld	WE	44	4202872-001	1	Plug Bracket W/Notch	ST
13	4203473	1	"T" Handle Bracket	ST	45		1	Validator - Controller Components - See Page 12	
14	4202068	1	Coin Cup Door	ST	46	8620139	2	Door Hinge Inner	HI
15	4202083-002	1	Coin Cup	WE	47	8800406	6	10-32 X 1/2 Phillips TH W/Etw	SC
16	4202908	1	Inner Door Lift	ST	48	8800899	6	10-32 Hex Nut	NU
17	4050202	47	8-18 X 1/2 Phillips HWH Tek	SC	49	4202744-xxx	1	Graphics Sign Face - Specify	SF
18	1212875	1	Ballast Assembly	AS	50	4050420	14	8-18 X 1/4 Phillips HWH	SC
19	1211400-001	1	Coin Mechanism Door Assembly - See Page 9	AS	51	4202994	4	Bumper	RU
20	4202893	1	Coin Box Bracket - Top	ST	52	8370959-3	3	Locking Clamp - 3/4"	CP
21	1212009	1	Coin Box Weld	WE					
22	4205126	1	Coin Box Bracket - Bottom	ST	Not Shown	4050241	4	8-18x3/4 Phillips T-AB (AP for Item 6)	SC
23	4203714	1	16 Select Door Harness	HA		4207881	1	Neoprene Door Plug	RA
24	1211370-002	2	Inner Display Weld	WE		8356103-003	2	10-24x1/2 Carriage Bolt SS	SC
25	4202900	1	Light Cover - Bottom	ST		4201907	1	Validator Plate	ST
26	1214577	1	Transformer Ass'y - See Page 10	AS					
27	1212024	1	Can Chute Weld	WE					
28	4202917	2	Tie Bracket	ST					
29	4202905	1	Delivery Back	ST					
30	4202894	1	Reflector	ST					
31	4203685	2	Plastic Holder	ST					
32	4202771	1	Lamp Harness	HA					

Coin Insert Casting Assembly



ITEM	PART NUMBER	QTY	DESCRIPTION	CC
	1211406-001	1	Coin Insert Casting Assembly	AS
1	7334370-000	1	Coin Release Label	LA
2	7334283-Xxx	1	Coin Release Handle (Specify Color When Ordering)	CA
3	4025725	1	Filler Plug	PL
4	4020837-005	1	Deposit Coin Label	LA
5	7100816-000	1	3/8 Flat Nylon Washer	WA
6	4060372-Xxx	1	Coin Insert Casting (Specify Color When Ordering)	CA
7	7091076-100	1	Torsion Spring - 11/32	SP
8	4202892	1	Coin Release Lever	ST
9	7200717-008	1	12 Int/Ext Lock Washer	WA
10	7200469-020	1	1/4-28 X 1/2 Phillips TH Ms	SC
11	4202056	1	Coin Chute Retainer	ST
12	4201942	3	6-20X3/16 Phillips PH Type B	SC
13	4202953	1	Coin Chute Return	ST
14	7200468-005	5	6-18 X 1/4 Phillips TH Type A	SC
15	1211368	1	Coin Chute Weld	WE

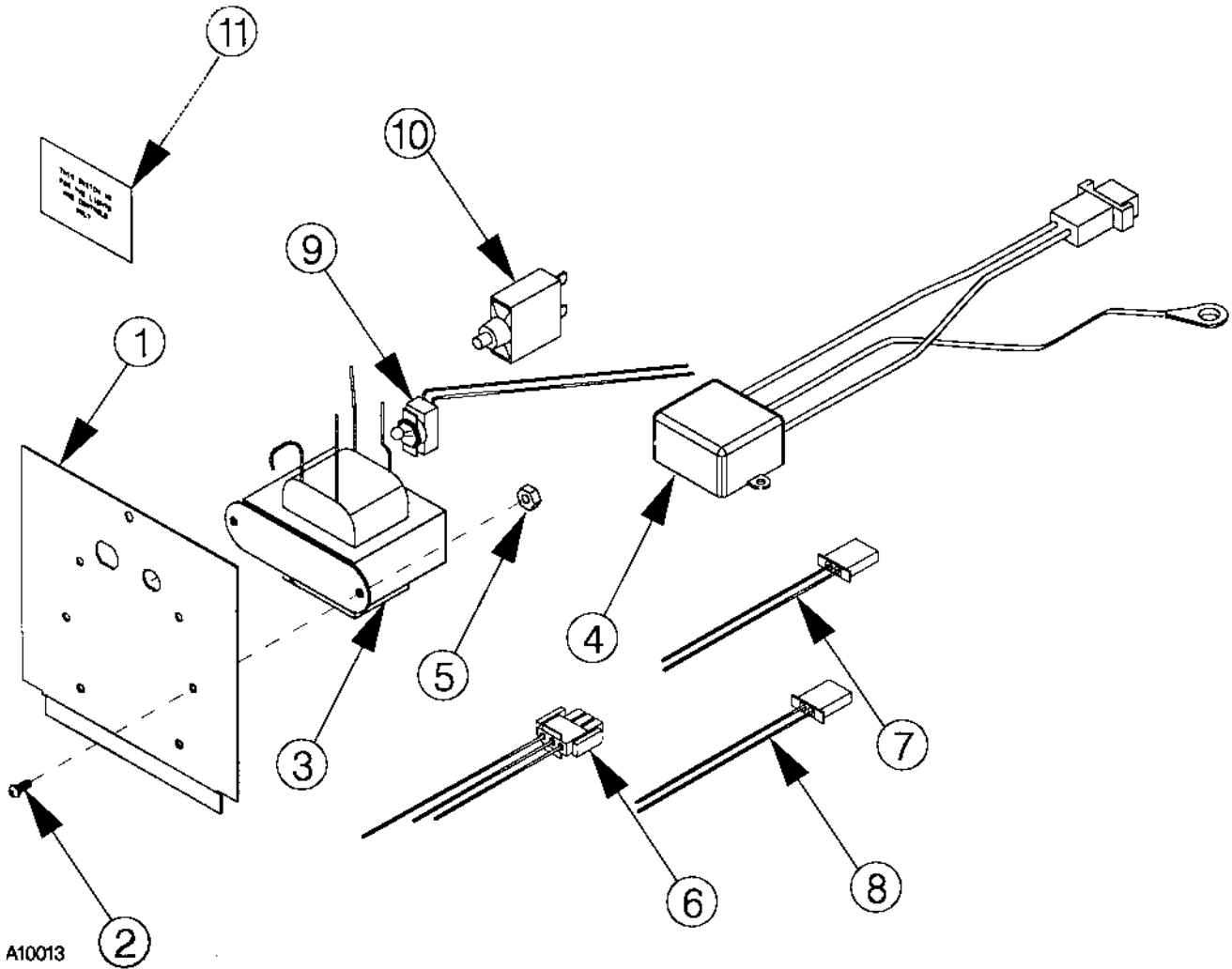
Coin Mechanism Door Assembly



A10015

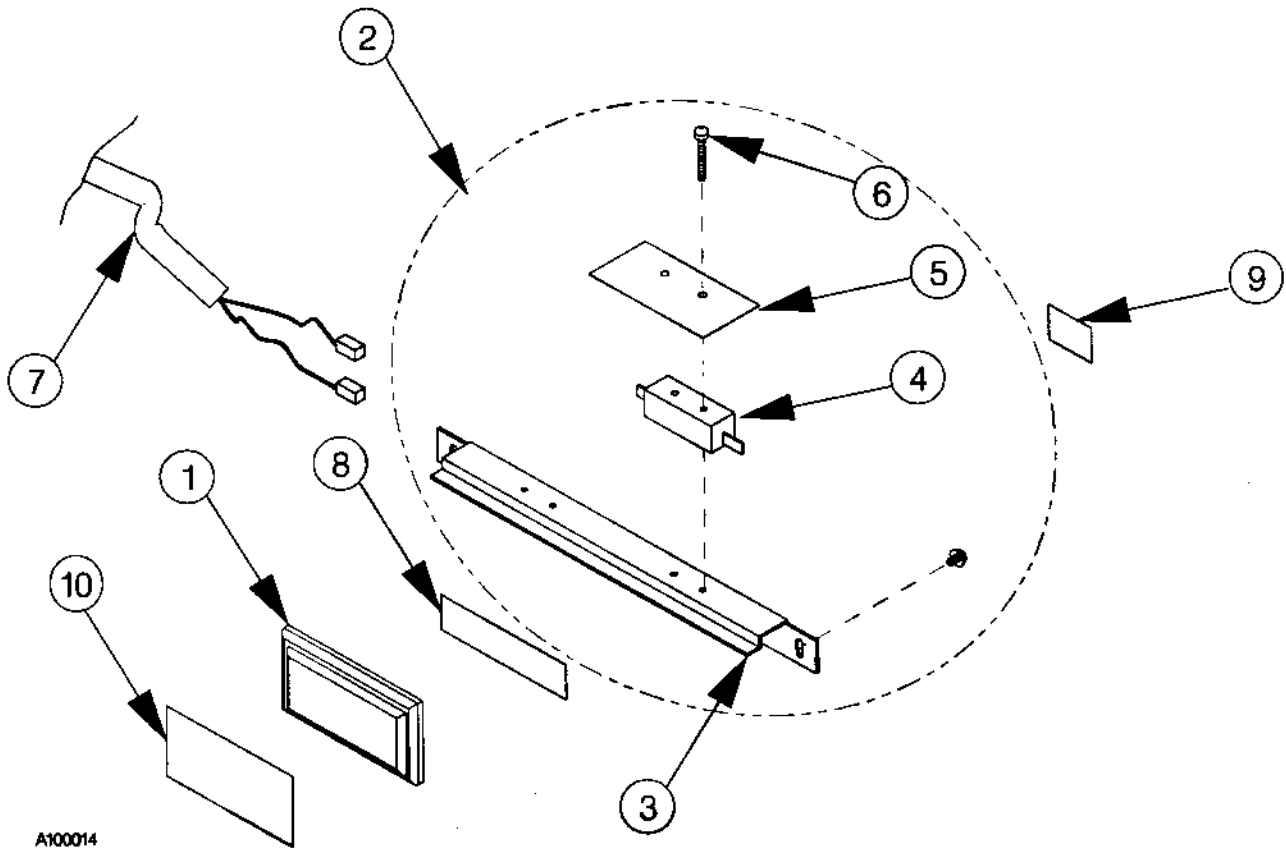
ITEM	PART NUMBER	QTY	DESCRIPTION	CC
1		1	Coin Mechanism – See Page 1	
-	1211400-001	1	Coin Mechanism Door Assembly	AS
2	1211374	1	Coin Return Chute Weld	WE
3	4050420	6	8-18 X 1/4 Phillips HWH Screw	SC
4	4202888	1	Coin Box Tube	ST
5	4202901	1	Coin Kicker	ST
6	4202898-xxx	1	Coin Mechanism Door (Specify Color)	ST
7	8620711	1	Power Switch Warning Label	LA
8	4202897	1	Coin Mechanism Door Latch	ST
9	8800636	1	8-18 X 1/2 Phillips PH Type B	SC
10	8620828	1	4 Pin Cover	RU
11	8800498	3	8-18 X 3/8 Phillips PH Type B	SC

Transformer Plate Assembly



ITEM	PART NUMBER	QTY	DESCRIPTION	CC
	1214577	1	Transformer Plate Assembly	AS
1	4202958	1	Transformer Plate	ST
2	4050240	2	8-32 X 3/8 Phillips PH MS	SC
3	4206570-001	1	Transformer	XF
4	4203730-002	1	RFI Filter	EL
5	8800956	2	8-32 Hex Nut W/Etw	NU
6	4202939	1	Power Distribution Harness	HA
7	4209165	1	Transformer Harness – Secondary	HA
8	4209166	1	Transformer Harness – Primary	HA
9	4033511	1	Toggle Switch	SW
10	4203467-003	1	Circuit Breaker - 3 Amp	FU
11	4020835	1	Decal – Toggle Switch	LA

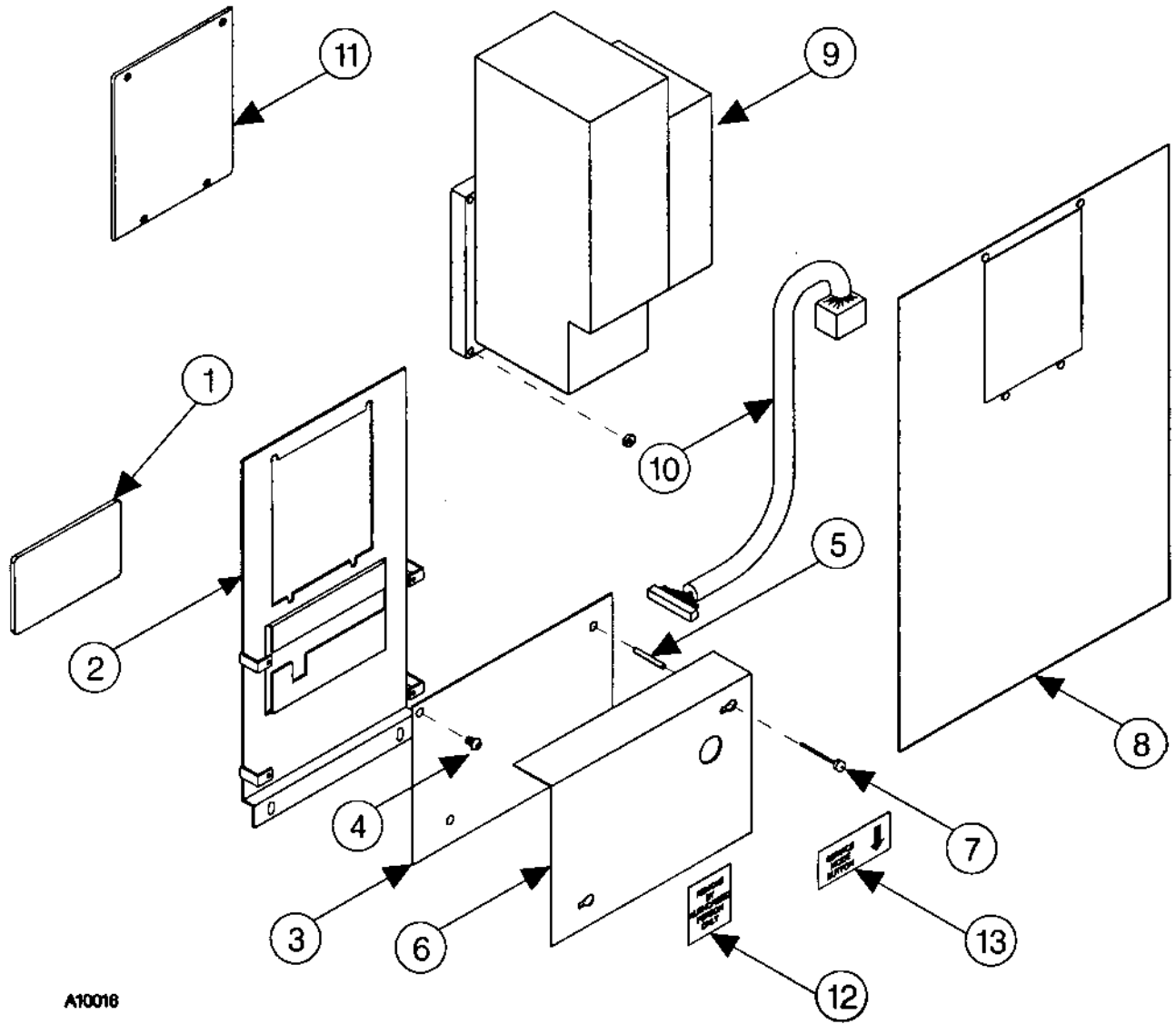
Pushbutton and Selection Switch Bracket Assemblies



A100014

ITEM	PART NUMBER	QTY	DESCRIPTION	CC
1	1211441	8	Pushbutton Assembly	AS
2	1212059	4	Switch Bracket Assembly	AS
3	4203293	1	Switch Bracket	ST
4	4203325	2	Switch	SW
5	4203324	2	Switch Spring	PL
6	8801390	4	6-32 X 1 Phillips PH Taptite	SC
7	4203734	1	Selection Harness	HA
8	4202255	.042 Ft	Gasket 1/4 x 3/4 w/Adhesive	GA
9	8620438	1	Double Digits 1-12	LA
10	4203326-xxx	A/R	Flavor Tab- Specify when Ordering	LA

Validator - Controller Components

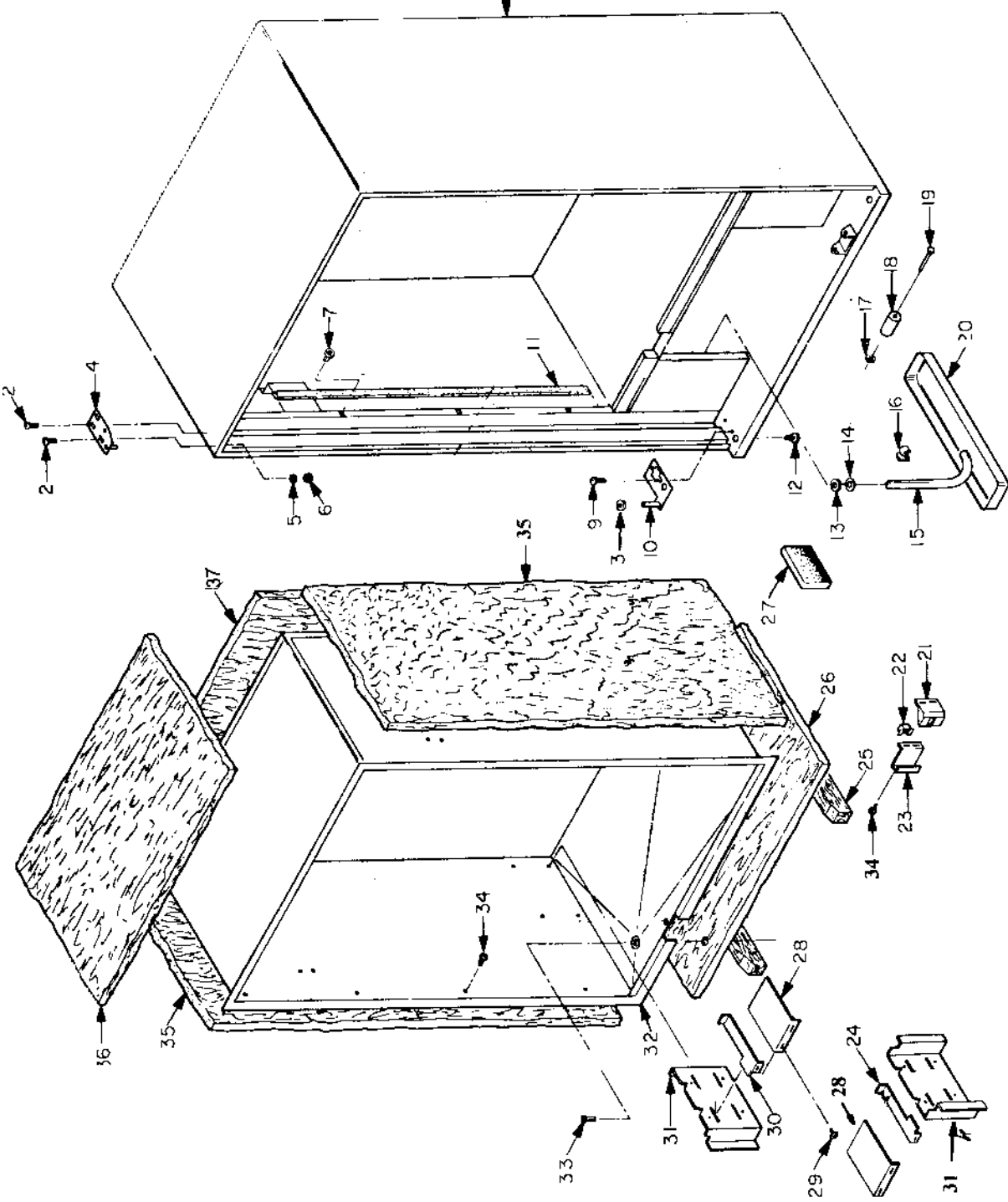


A10016

Validator - Controller Components

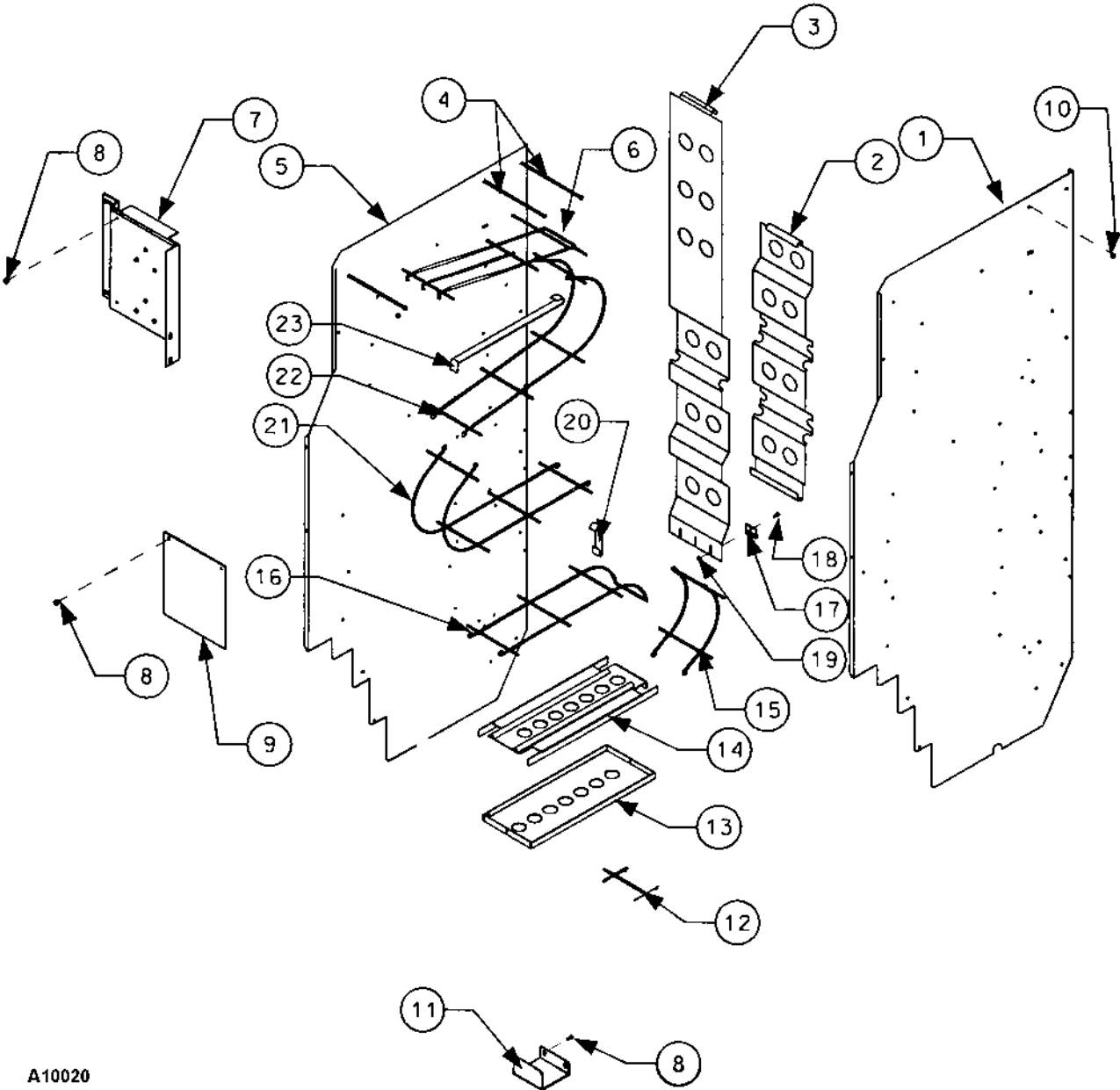
ITEM	PART	QTY	DESCRIPTION	CC
1	4202841-001	1	Readout Window	PL
2	4202904	1	Control Board Mount	ST
3	4207215	1	CD-16 Controller – MDB	CB
4	8800631	2	6-20 X 1/2 Phillips PH Type B	SC
5	8620704	2	Standoff	PL
6	4207498	1	Control Board Cover - MDB	ST
7	8810020	2	6-32 X 1 1/4 Phillips Hd Screw	SC
8	4203898	1	Controller Shield	PL
9		1	Validator – Contact your Service Entity	
10		1	Validator Harness – Contact your Service Entity	
11	4201907	1	Validator Plate – Use with No Validator	ST
12	4203001	1	Service Label	LA
13	4202995	1	Service Mode Label	LA

CABINET ASSEMBLY



ITEM	PART NUMBER	QTY	DESCRIPTION	CC
1	1211363-xxx	1	Cabinet Weld (Specify Color)	WE
2	4050393	4	1/4-20 X 3/4 Carriage Bolt	SC
3	4050767	1	3/8 Flat Washer - Nylon	WA
4	1211385-xxx	1	Top Hinge (Specify Color)	ST
5	4050084	4	1/4 Split Lockwasher	WA
6	4050547	4	1/4-20 Twin Whiz Nut	NU
7	4202189	16	Snap In Plastic Spring	PL
9	8801388	2	5/16-18 X 3/4 Hwh Type D	SC
10	1211384-xxx	1	Bottom Hinge (Specify Color)	ST
11	4202278-004	1	Foam Tape – 16 FT	TA
12	4060310	4	Leg Leveler	LE
13	4050608	1	1/2 Flat Washer	WA
14	4202284	1	.500 Dia Push Nut	NU
15	4025410-006	1	Tubing – Mayon - 3.5 Ft	TU
16	7200341-000	1	Tube Clip	CL
17	4200088	1	.250 Stud Dia Push Nut	NU
18	8368656	1	Roller	PL
19	8383009	1	Pin	PI
20	7200623-001	1	Drain Pan	ST
21	4203487	1	Latch Nut Mount	ST
22	4050760	1	1/2-13 Square Nut W/Retainer	NU
23	4203266	1	Nut Retainer	ST
24	4202921-001	1	Evaporator Support - Right	ST
25	4202895	2	Liner Support	WD
26	4008877-001	1	Insulation - Cabinet Bottom	IN
27	4202034	1	Drain Pan Sponge	RC
28	4201980	2	Extension Bracket	SC
29	4050202	16	8-18 X 1/2 Phillips HWH Tek	SC
30	4202921	1	Evaporator Support - Left	ST
31	4202922	2	Can Rack Riser	ST
32	1211373	1	Liner Weld	WE
33	7100042-000	1	Drain Tube	TU
34	7200468-001	8	10-12 X 1 Phillips TH Type A	SC
35	4008878-001	2	Insulation - Cabinet Side	IN
36	4008881-001	1	Insulation - Cabinet Top	IN
37	7200952-007	1	Insulation - Cabinet Back	IN
Not Shown	1214469	1	Can Rack 330ml CD8 Install – See Pages 16-19	AS

Double Depth Can Rack Assembly

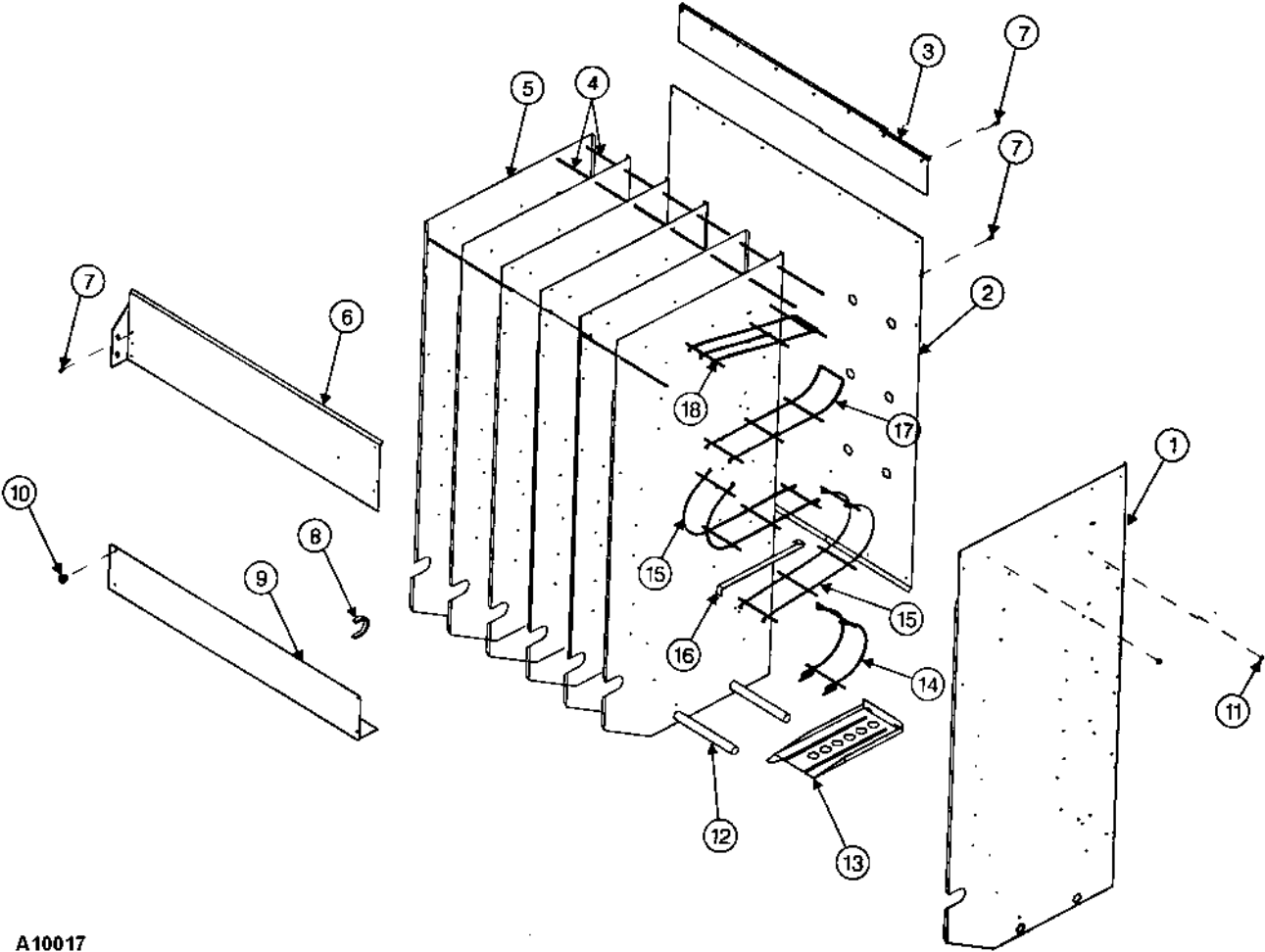


A10020

Double Depth Can Rack Assembly

ITEM	PART NUMBER	QTY	DESCRIPTION	CC
	1214204	1	Can Rack 330 ml CD8 Split	
1	4202918	1	Partition Panel - Right	ST
2	4201548-001	1	Can Deflector - Short	ST
3	4201549-001	1	Can Deflector - Long	ST
4	7332474-005	45	.156 Dia Tie Rod	WF
5	4202918-001	1	Partition Panel - Left	ST
6	7331977-004	2	Upper Shelf	WF
7	4202920	1	Single Column Front Tie	ST
8	4050420	6	8-18 X 1/4 Phillips HWH	SC
9	4207556	1	330ml Motor Cover Top	PL
10	7332476-000	45	.156 Dia Stud Push Nut	NU
11	4207556-001	1	Motor Cover	PL
12	4201535-003	1	Wire Shelf - Bottom	WF
13	4207570	1	Bottom Shelf Insert	ST
14	4207549	1	Bottom Shelf	ST
15	4201534-003	1	Bottom Loop	WF
16	7331975-004	2	Top Loop	WF
17	4201552	1	Deflector Plate Support	CL
18	4050240	1	8-32 X 3/8 Phillips PH MS	SC
19	4050511	1	8-32 Nut - Two Way Lock	NU
20	4201551	1	Hanger Strap	ST
21	7331974-007	4	Center Loop	WF
22	7331974-008	1	Center Loop	WF
23	7331999-000	6	Retainer Strap	ST
Not Shown	1214203	1	330ml Upper Ejector Mechanism – See Page 20	AS
	1214206	1	330ml Lower Ejector Mechanism – See Page 21	AS

Single Depth Can Rack Assembly

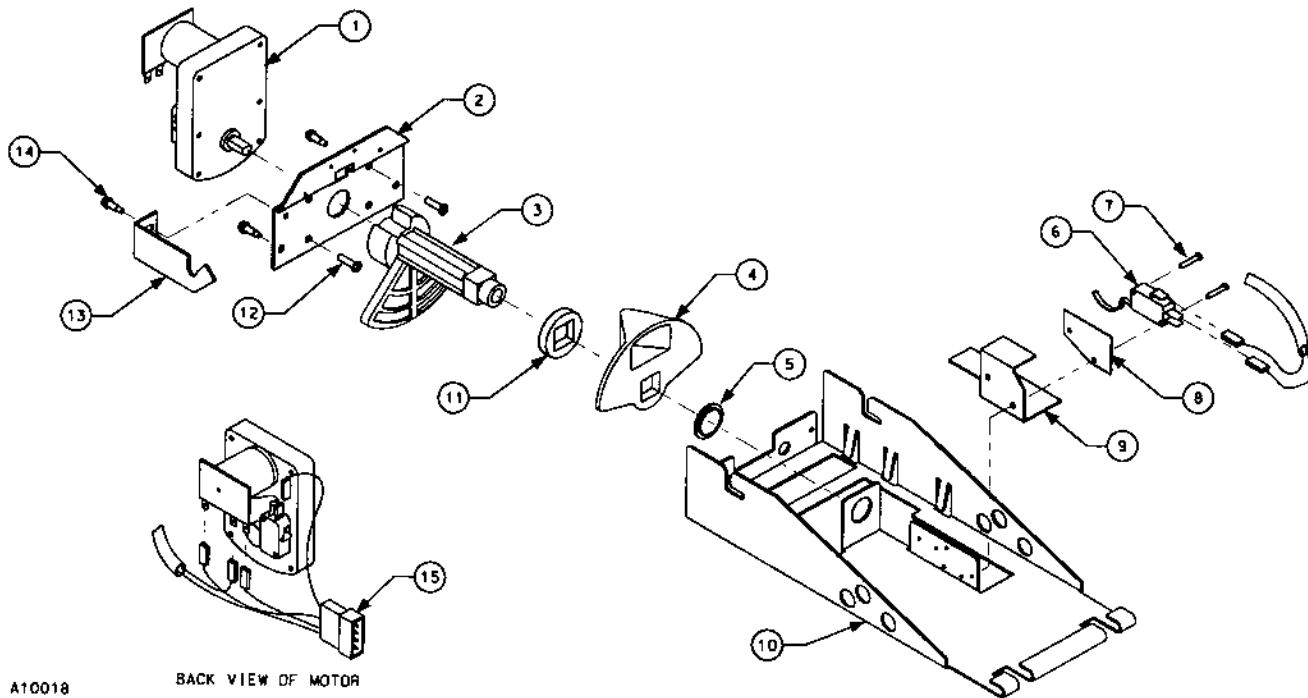


A10017

Single Depth Can Rack Assembly

ITEM	PART NUMBER	QTY	DESCRIPTION	CC
	1214202	1	Can Rack 330ml CD8 Single	AS
1	8620763-000	6	End Panel - Right	ST
2	4207576	1	Back Can Rack	ST
3	4207574	1	Top Tie Strip - Can Guide	ST
4	7332474-010	30	.156 Dia Tie Rod	WF
5	8620763-001	1	End Panel - Left	ST
6	4207572	1	Front Tie Strap	ST
7	7201418-004	38	Pop Rivet - 1/8 X 1/4	RI
8	4033652-001	7	Extruded Grommet	GR
9	4207578	1	Motor Cover	ST
10	4050202	8	8-18 X 1/2 Phillips HWH Tek	SC
11	7332476-000	30	.156 Dia Push Nut	NU
12	8620197-001	2	Tube Rack Support	TU
13	4207568	6	Bottom Shelf	ST
14	7331976-004	6	Bottom Loop	WF
15	7331974-007	42	Center Loop	WF
16	7331999-000	42	Retainer Strip	ST
17	7331975-004	6	Top Loop	WF
18	7331977-004	6	Upper Shelf	WF
Not Shown	1214203	6	330ml Upper Ejector Mechanism – See Page 20	AS

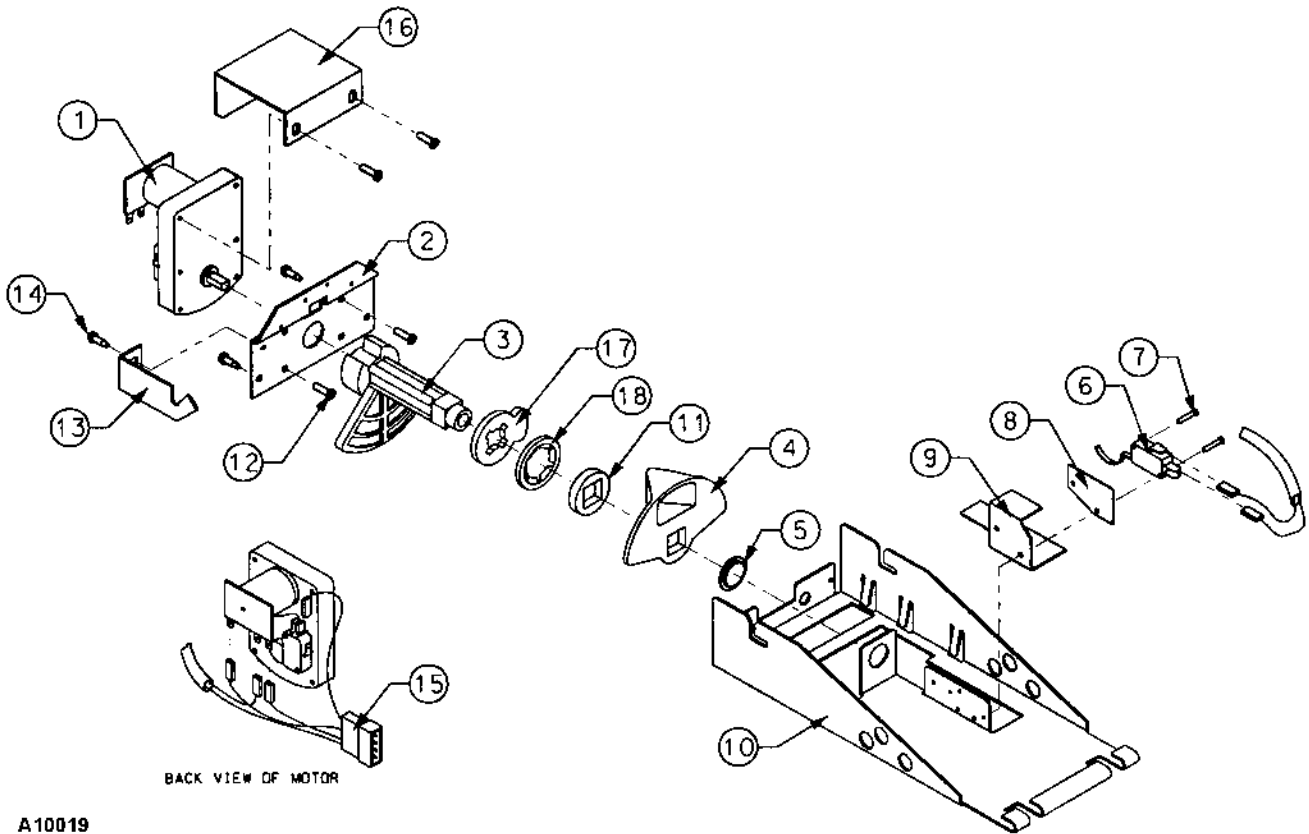
Upper Ejector Mechanism Assembly



A10018

ITEM	PART NUMBER	QTY	DESCRIPTION	CC
	1214203	7	330 ml Upper Ejector Mechanism Assembly	AS
1	4202826	1	24 VDC Motor - Ejector Mechanism	MO
2	4207571	1	Motor Mount Plate	ST
3	4207590	1	Universal Cam - Large	PL
4	4201161	1	Cam - Small	PL
5	8620714	1	Bushing - Snap-In	BU
6	8620718	1	Sold Out Switch	SW
7	8801332	2	4-40 X 3/4 Phillips PH Taptite	SC
8	4003735	1	Switch Insulator	IN
9	4201561	1	Switch Cover	ST
10	4207550	1	330 ml Mechanism Plate	ST
11	4201160	1	Spacer	PL
12	8800636	2	8-18 X 1/2 Phillips PH Type B	SC
13	4207569	1	Retaining Bracket	ST
14	4050202	3	8-18 X 1/2 Phillips HWH Tek	SC
15	4202946	1	Ejector Mechanism Harness	HA

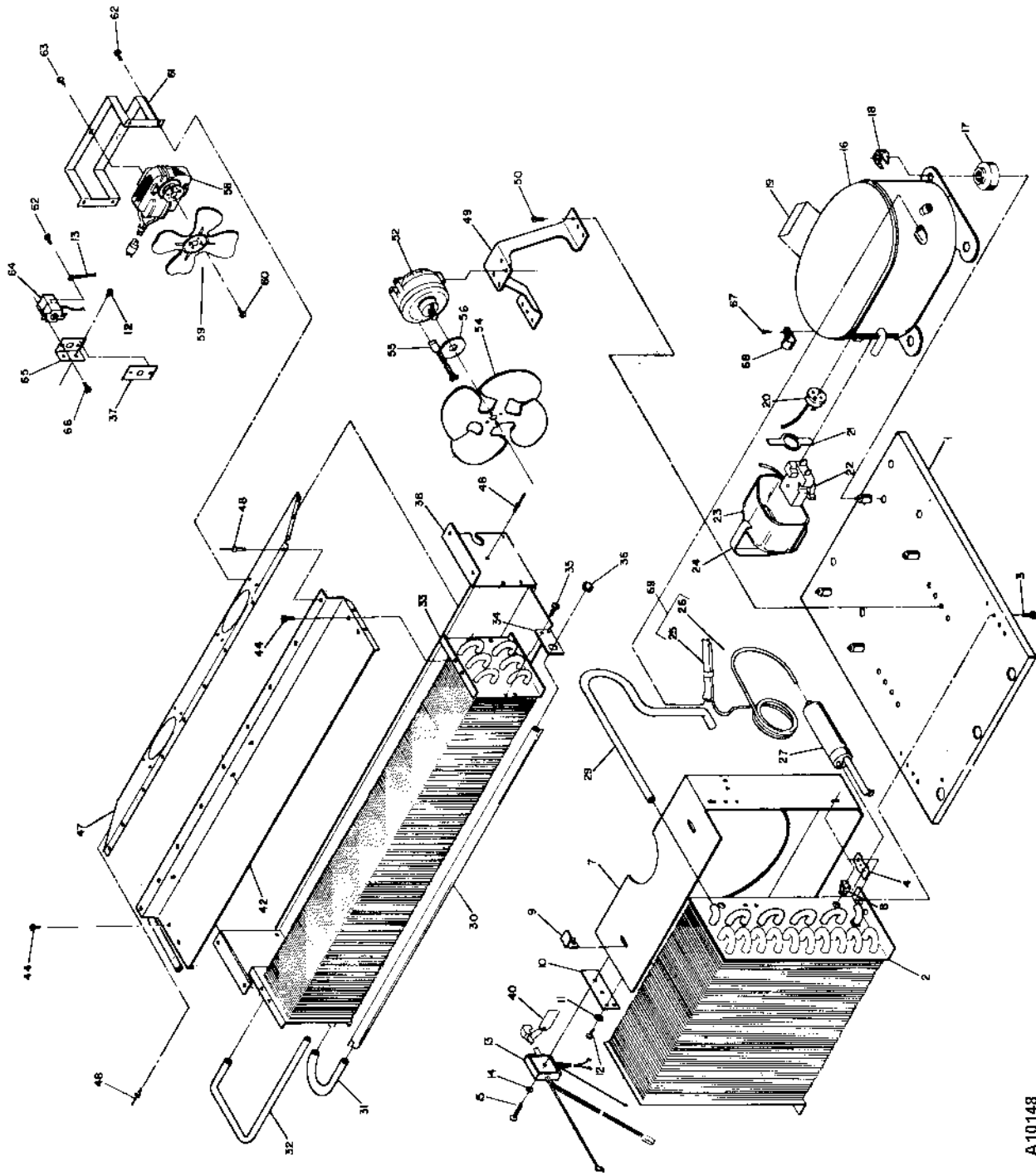
Lower Ejector Mechanism Assembly



A10019

ITEM	PART NUMBER	LOWER	DESCRIPTION	CC
	1214206	1	330 ml Lower Ejector Mechanism Assembly	AS
1	4202826	1	24 VDC Motor - Ejector Mechanism	MO
2	4207571	1	Motor Mount Plate	ST
3	4207590	1	Universal Cam - Large	PL
4	4201161	1	Cam - Small	PL
5	8620714	1	Bushing - Snap-In	BU
6	8620718	1	Sold Out Switch	SW
7	8801332	2	4-40 X 3/4 Phillips PH Taptite	SC
8	4003735	1	Switch Insulator	IN
9	4201561	1	Switch Cover	ST
10	4207550	1	330 ml Mechanism Plate	ST
11	4201160	1	Spacer	PL
12	8800636	4	8-18 X 1/2 Phillips PH Type B	SC
13	4207569	1	Retaining Bracket	ST
14	4050202	3	8-18 X 1/2 Phillips HWH Tek	SC
15	4202946	1	Ejector Mechanism Harness	HA
16	4202992	1	Motor Cover - Bottom	ST
17	4201542	1	Auxiliary Ejector	PL
18	4201628	1	Cam Shaft Retainer	RR

REFRIGERATION ASSEMBLY



A10148

REFRIGERATION ASSEMBLY

ITEM	PART NUMBER	QTY	DESCRIPTION	CC
	1212325-002	1	Refer System - 1/3 Hp - R-134a –	
1	8343839	1	Base Plate	ST
2	7332338-000	1	Condenser Coil -1/3 Hp	RC
3	7332393-000	4	1/4-20 X 3/8 Slt'd HH Ms	SC
4	8916923	2	1/4-20 Twin Spring Nut	NU
7	7332405-000	1	Shroud - Condenser Fan	IN
8	4205214	4	Christmas Tree Clip	CL
9	8336640	2	Retaining Clip	CL
10	7332413-000	1	Harness Mounting Bracket	ST
11	4050585	1	8 Ext Shakeproof Lw	WA
12	8801204	4	10-16x3/8 Phillips TH w/ETW	SC
13	7332502-004	1	Service Harness – GB	HA
14	4050585	1	8 Ext Shakeproof Lw	WA
15	7332392-000	1	8 X 1 1/2 Phillips Pan Hd Sms	SC
16	4205471	1	Compressor - 1/3 Hp - R-134 –	CO
17	8323090-1	4	Compressor Grommet	GR
18	8343874	4	Clip - Compressor Mounting	CL
19	7332492-000	1	Warning Decal - Warrantv	LA
-			Compressor Components	
20	8045052-29	1	Overload	CO
21	8344305	1	Spring - Overload	CO
22	8333894-2	1	Starting Relay	CO
23	8344308	1	Cover	CO
24	8344306	1	Bale Strap	CO
25	8801181-004	1	Suction Line	TU
26	8902701-2	1	Tube Capillary	TU
27	4205468	1	Drier	RC
29	7332437-000	1	Discharge Line	TU
30	7332073-000	1	Accumulator	RC
31	7332422-000	1	Tube- Accum. Connecting	TU
32	7332423-000	1	Tube - Cap. Connecting	TU
33	7332400-000	1	Coil - Evaporator	RC
34	7332384-000	1	Bracket - Accum. Tube Support	ST
35	8801204	2	10-16x3/8 Phillips TH w/ETW	SC

ITEM	PART NUMBER	QTY	DESCRIPTION	CC
36	4034157	1	Grommet	GR
37	7333084-000	1	Decal - Thermostat Dial	LA
38	4205529	1	Evaporator Baffle	ST
40	7186633-000	1	Tag - Instruction	LA
42	7332357-000	1	Top Baffle Evaporator	ST
44	8343872	4	Mounting Stud	SM
47	7332351-000	1	Evaporator Fan Shroud	ST
48	4050663	13	Pop Rivet	RI
49	8358154-000	1	Bracket - Condenser Fan Mtg	ST
50	4207050	2	1/4-20 X 1/2 Hh-Type 23	SC
52	4208492	1	Condenser Fan Motor 5 Watt	RC
54	7332420-000	1	Fan Blade	FA
-	7331298-001	2	Fasco Evaporator Motor	AS
58	4206461-001	1	Fan Motor 4 1/2 Watt –	RC
59	4205768-001	1	Fan Blade	RC
60	8800679	1	10-32 X 5/16 Phillips PH	SC
61	7330391-000	1	Motor Mount	ST
62	4050423	8	8-18 X 3/8 Phillips PH Type Ab	SC
63	7310059-000	1	10-16 X 3/8 Phillips TH Ty B	SC
64	4034324	1	Thermostat	TC
	4201663	1	Temp Control Knob	TC
	4201664	1	Temp Control Cover	TC
65	7332408-000	1	Bracket - Thermostat	ST
66	4050234	4	8-32 X 3/8 Phillips Truss Hd Ms	SC
67	4050202	2	8-18 X 1/2 Phillips HWH Tek	SC
68	7332446-000	1	Clamp - Suction Line	RC
69	1102406	1	Suction Line Assembly	WE
Not Shown	4033712	8	Cable Ties	WT
	4206108	1	Strain Relief Bracket	ST
	7334614-000	2	Clip – Tinnerman Sq. Bl.	CL
	7187215-000	1	Discharge Line ¼ OD x 3/8	TU
	8800949	4	3/8-16 Hex Nut w/ETW	NU