



# **GLASS FRONT MERCHANTISER GF19 II & GF35 II**



A10325

**Models:**

**3132**

**3141**

## **Parts Manual**

## Table of Contents

<b>GENERAL INFORMATION .....</b>	<b>1</b>
Minimum Order: .....	1
Payment: .....	1
To Order by Mail: .....	1
To Order by Fax.....	2
To Order by Phone .....	2
Returns .....	2
Limitation of Liability .....	2
Key .....	3
Commodity Codes .....	3
<b>FINAL ASSEMBLY .....</b>	<b>4</b>
<b>COMMON DOOR ASSEMBLY.....</b>	<b>6</b>
Coin Insert Assembly.....	8
Delivery Assembly – GF19 II .....	10
Delivery Assembly – GF35 II .....	12
Light Assembly .....	14
<b>POWER PANEL ASSEMBLY .....</b>	<b>15</b>
<b>TRAY ASSEMBLY .....</b>	<b>16</b>
<b>CABINET ASSEMBLY .....</b>	<b>18</b>

## GENERAL INFORMATION

You may order parts from your distributor or from VendNet™. If you have any questions when placing your order, please call and we'll be happy to assist you. Please provide the following information when placing your order:

- Quantity Required
- Part Number
- Description of part

### NOTE

When "Right" and "Left" are used with a part name, it is taken to mean that the person is facing the machine with the door closed.

- Vendor Model Number
- Vendor Serial Number
- Shipping and Billing Address
- Preferred Method of Shipment
- Customer Account Number

### Minimum Order:

You may wish to inquire on prices of parts and minimum order amount at the time of your order. If you order less than the minimum, please check our catalog for other parts you may require to bring your order up to the minimum amount.

VendNet™ reserves the right to change these requirements without notice.

### Payment:

OPEN ACCOUNT with approved credit. MASTER CARD – VISA – DISCOVER – C.O.D.

### To Order by Mail:

You may mail your order for replacement parts by providing the necessary information as requested above to:

VendNet™  
165 North 10th Street  
Waukee, Iowa 50263-0488 - USA

Order forms are available upon request or you may use your own purchase order form.

**To Order by Fax**

You may Fax your order for replacement parts by providing the necessary information as requested above to: VendNet™.  
1-515-987-4447

**To Order by Phone**

You may call in your order for replacement parts by providing the necessary information as requested above to VendNet™ Parts Department.

USA 1-800-833-4411

Canada 1-800-858-4730

Other locations 1-515-274-3641

**Returns**

RESTOCKING CHARGE 20%. A restocking charge of 20% will apply to merchandise accepted by VendNet™ for return, except items processed as warranty.

All items returned must be accompanied by a Return Form clearly stating the reason for return. Returns are to be shipped freight prepaid to VendNet™, 165 North 10<sup>th</sup> Street, Waukee, Iowa 50263-0488. (Return Forms are available upon request from VendNet™.)

**Limitation of Liability**

VendNet™ shall not be liable for any injury, loss, or damage whether direct, incidental, or consequential, arising out of the use of or the inability to use any part, parts, or products sold by VendNet™. The remedies of the buyer set forth herein are exclusive, and the liability of VendNet™. With respect to any contract or sale or anything done in connection herewith, whether in contract, in tort, under any warranty, or otherwise, shall not, except as expressly provided herein, exceed the price of the part, parts or products on which such liability is based. Any statements or representations about the parts or product, other than those contained herein, do not constitute warranties and shall not be relied on by the buyer and shall have no force of effect unless contained in a written agreement signed by officers of VendNet™.

If you have any questions, check out our Website

**<http://www.vendnet.com>**

or please call VendNet™.

Ask for the Parts Department.

We will be happy to assist you.

E-Mail: [VendNet@vendnet.com](mailto:VendNet@vendnet.com)

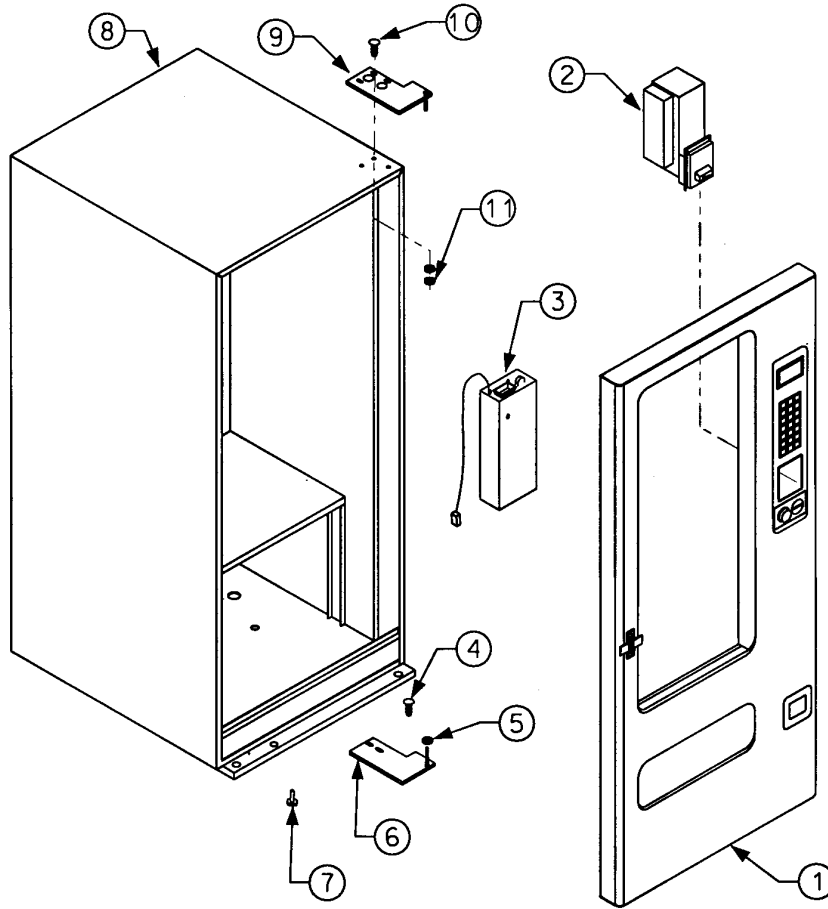
## Key

24V .....	24 Volt DC
115V .....	115 Volt AC
230V .....	230 Volt AC
ADHV .....	Adhesive
AP .....	Attaching Part
CC .....	Commodity Code
ETW .....	External Lock Washer
HWH.....	Hex Washer Head Screw
MS.....	Machine Screw
PH .....	Pan Head Screw
TH.....	Truss Head Screw
VDC.....	Volt – Direct Current
W/.....	With
W/O .....	Without

## Commodity Codes

AS .....	Assembly	RA.....	Rails
BU .....	Bushing	RC .....	Refrigeration Component
CB .....	Control Board	RE.....	Relay
CL .....	Clip	RI.....	Rivet
CO.....	Compressor	RU .....	Rubber
CP .....	Clamp	SC.....	Fastener
EL.....	Electrical Component	SF .....	Sign Face
FA .....	Fan	SL .....	Slide
FU .....	Fuse, Breaker	SM .....	Screw-Machine
GA.....	Gasket	SP .....	Spring, Auger
GR.....	Grommet	ST .....	Stamping, Bracket
HA .....	Harness	SW.....	Switch
HI .....	Hinge	TA.....	Tape
IN .....	Insulation	TC.....	Temperature Control, Thermostat
LA.....	Label, Tag	TU.....	Tubing
LE.....	Leg, Leveler	WA.....	Washer
LO .....	Lock	WD .....	Wood
LP.....	Lamp	WE.....	Welded Assembly
MA.....	Manual	WT.....	Wire Tie
NU.....	Nut	XF .....	Transformer, Ballast
PI.....	Pin		
PL.....	Plastics		

# FINAL ASSEMBLY

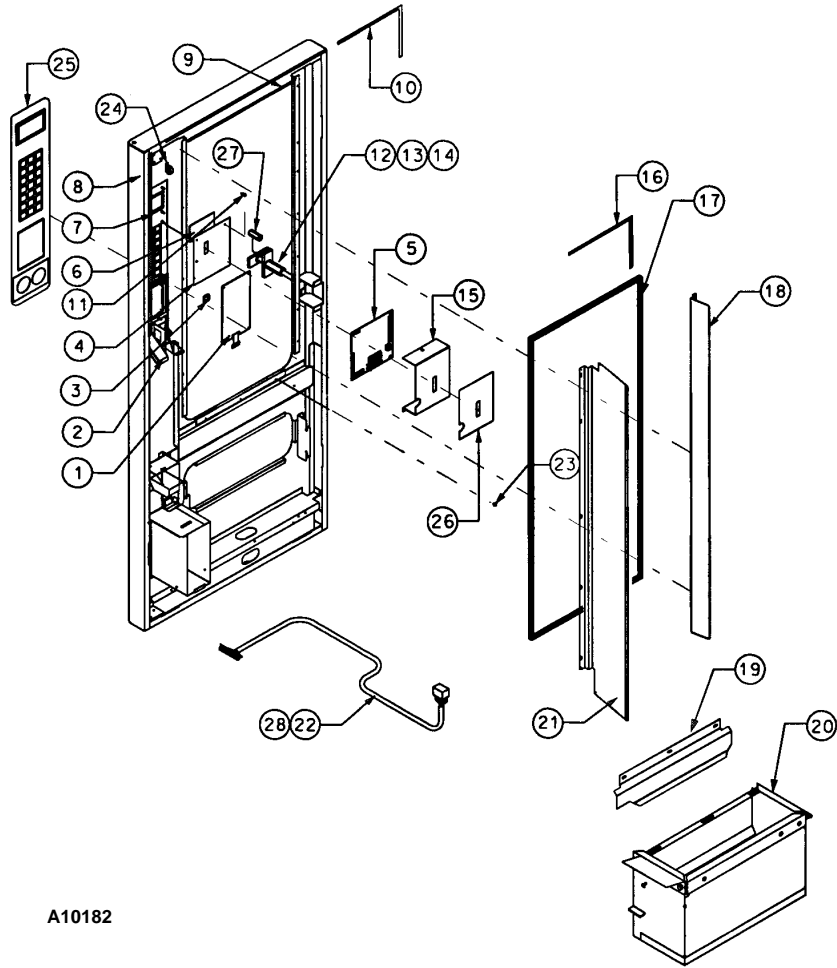


A10154

## Final Assembly

ITEM	PART NO.	DESCRIPTION	QTY	CC
1	1214765	Door Assembly – GF19 II – Page 6	1	AS
	1214869	Door Assembly – GF35 II – Page 6	1	AS
2	4209598	Val – Ardac MDB 88X5500 – GF19 II	1	CM
	4205536-024	Val – BA32F MDB – GF35 II	1	CM
3	4200419-GX	9802GX CoinCo Coin Mechanism	1	CM
4	8801388	5/16-18 x 3/4 HWH Type D	2	SC
5	4050767	3/8 Nylon Flat Washer	3	WA
6	1211483-001	Hinge Stake – Bottom	1	RA
7	4060310	Leg Leveler	4	LE
8	1214766	Cabinet Assembly – GF19 II – Page 18	1	AS
	1214868	Cabinet Assembly – GF35 II – Page 18	1	AS
9	1211426-001	Hinge Stake – Top	1	RA
10	4050099	5/16-18x3/4 Carriage Bolt	3	SC
11	8810015	5/16-18 Flange Lock Nut	3	NU
	Service Package		1	AS
	4209514	Service Manual	1	MA
	4206816	Safety Manual	1	MA
	4202690	Price Label – .30-.55	1	LA
	4202690-001	Price Label – .60-.85	1	LA
	4202690-002	Price Label – .90-1.15	1	LA
	4202750	Warranty Card	1	PR
	4025748	Product Ejector	10	PL

# COMMON DOOR ASSEMBLY



A10182

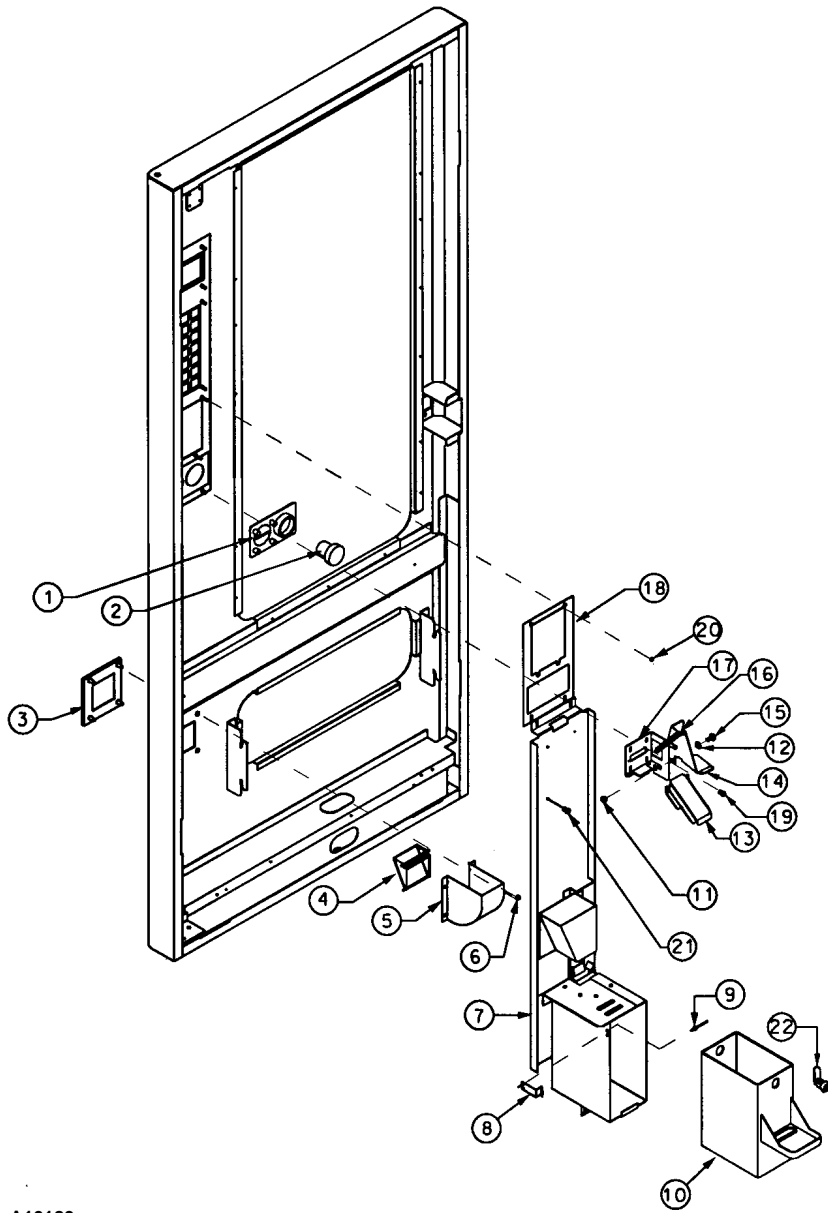


## Common Door Assembly

ITEM	PART NUMBER	DESCRIPTION	QTY	CC
1	1214532	Keypad Assembly	1	AS
	4201202	Keypad #909190-1	1	KP
	4208735	Keypad Mount	1	ST
2	-----	Coin Insert Assembly – Page 8	1	
3	4025741	Push Button	21	PL
4	4208737	Board Mount	1	ST
5	4208201-001	F-80 Controller 5/16	1	CB
6	4202841-008	Readout Window	1	PL
7	4060006-500	1/4 X 1/2-in. Foam Tape	5.5'	TA
8	1214737	Door Weld – GF19 II	1	WE
9	1214798	Door Weld – GF35 II	1	WE
	1214767	Light Assembly – GF19 II – Page 14	1	AS
	1214870	Light Assembly – GF35 II – Page 14	1	AS
10	4202255	Gasket 1/4x3/4 W/ADHV	A/R	GA
11	4206879	Board Standoff-3/8"	4	PL
12	4203486	1/4 Turn Handle, Black	1	LO
13	4050338	10-32x1/2 Phil FH Ms	2	SC
14	4050495	10-32 Nut, Two Way Lock	2	NU
15	4208784	Board Cover	1	ST
16	4209025-002	Glass Gasket – GF19 II	1	GA
	4209025-003	Glass Gasket – GF35 II	1	GA
17	4209513	Display Window – GF19 II	1	GL
	4209513-002	Display Window – GF35 II	1	GL
18	4209529	Door Partition – Left	1	ST
19	4209518	Bottom Door Deflector – GF19 II	1	ST
	4209609	Bottom Product Deflector – GF35 II	1	ST
20	1214775	Delivery Assembly – GF19 II – Page 10	1	AS
	1212040-007	Delivery Assembly – GF35 II – Page 12	1	AS
21	4202822-001	Anti-Theft – Right	1	ST
22	4208804	Door Harness	1	HA
23	4050420	8-18x1/4 Phil HWH Screw	A/R	SC
24	4060134	Plastic Wire Clamp 1"	1	CP
25	4209178	Door Decal	1	LA
26	4208789	Service Mode Label	1	LA
27	4060330	Lock Cyl w/2 Keys (Specify Key Series)	1	LO
28	8620494	Tag Plug Warning	1	LA

# COMMON DOOR (continued)

## Coin Insert Assembly



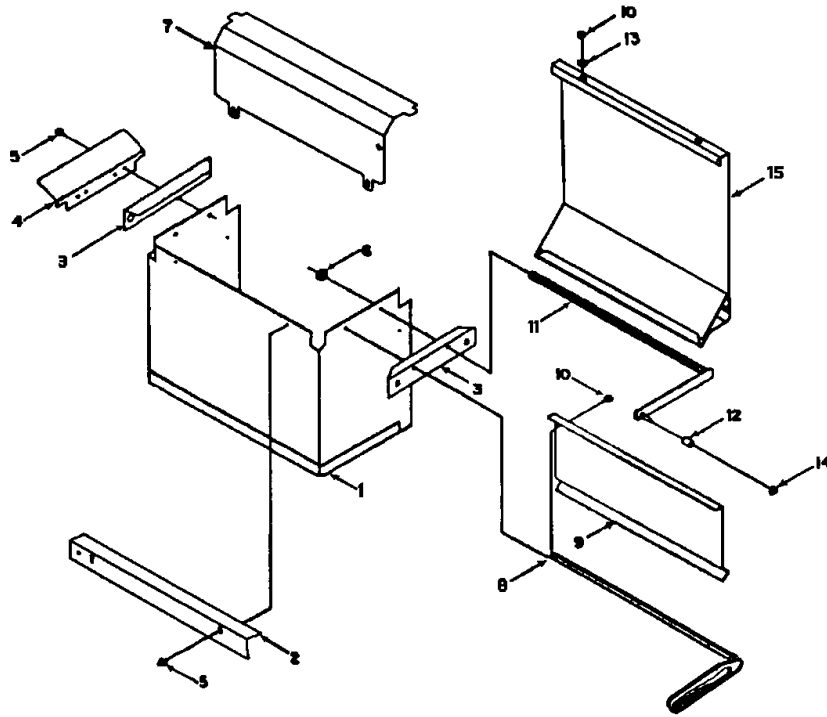
A10183

## Coin Insert Assembly

ITEM	PART NUMBER	DESCRIPTION	QTY	CC
1	4203186-004	Coin Insert Black 1 1/8	1	PL
2	4203187	Coin Return Button	1	PL
3	4203209	Coin Cup Bezel	1	PL
4	4203208	Coin Cup Door	1	PL
5	4203207	Coin Cup	1	PL
6	4050747	1/4 Stamped Hex Nut	4	NU
7	1214833	Mechanism Mount Rivet Assembly	1	AS
8	4210216	Latch	1	SC
9	4050667	1/8X1/4 Alum Pop Rivet	2	RI
10	4208890	Coin Box – Plastic	1	PL
11	4050511	8-32 Nut – Two Way Lock	1	NU
12	4030100	Bushing – Spacer	1	BU
13	1212097-001	Coin Chute Weldment Assembly	1	WE
14	4208726	Coin Return Lever	1	ST
15	4050240	8-32x3/8 Phil PH MS	1	SC
16	4021020	Spring 9/32 X 1 3/32	1	SP
17	4208727	Coin Chute Mount	1	ST
18	4208734	Coin Insert Mount	1	ST
19	4201942	6-20x3/16 Phil PH Type B	2	SC
20	8800956	8-32 Hex Nut W/ETW	A/R	NU
21	4050423	8-18x3/8 Phil PH Type AB	A/R	SC
22	4060366-001	Coin Box Lock (Optional)	1	LO

# COMMON DOOR (continued)

## Delivery Assembly – GF19 II



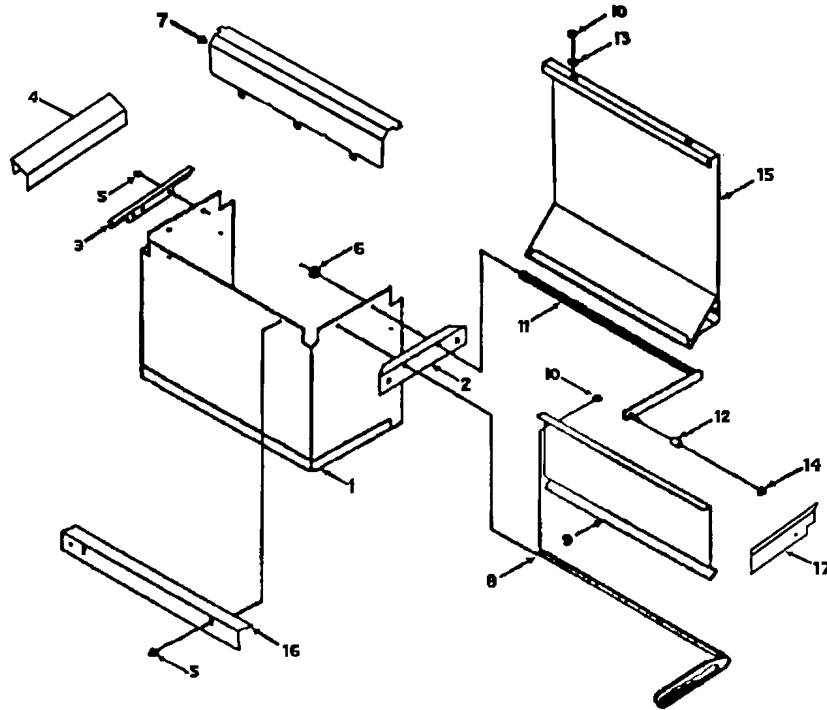
A10184

## Delivery Assembly – GF19 II

ITEM	PART NO.	DESCRIPTION	QTY	CC
	1214775	Delivery Assembly – 3W	1	AS
1	1212037-006	Delivery Weldment	1	WE
2	4203436-006	Rear Delivery Deflector	1	ST
3	4203379	Delivery Mount	2	ST
4	4209533	Delivery Deflector	1	ST
5	4050423	8-18x3/8 Phil PH Type AB	6	SC
6	4025263	Type 7 Nyliner – Snap in Plastic Bushing	4	BU
7	4205547	Delivery False Box	1	ST
8	1214773	Cam/Rod Weldment	1	WE
9	4203373-006	Del Anti-Cheat	1	ST
10	4050239	8-32x3/8 Phil PH Type T	6	SC
11	1212038-012	Follower Weldment	1	WE
12	4208947	Delivery Bushing	1	BU
13	8801011	#8 Flat Washer	6	WA
14	8801080	E-Ring 5/16	1	RR
15	1212041-15	Delivery Door Weldment	1	WE

# COMMON DOOR (CONTINUED)

Delivery Assembly – GF35 II



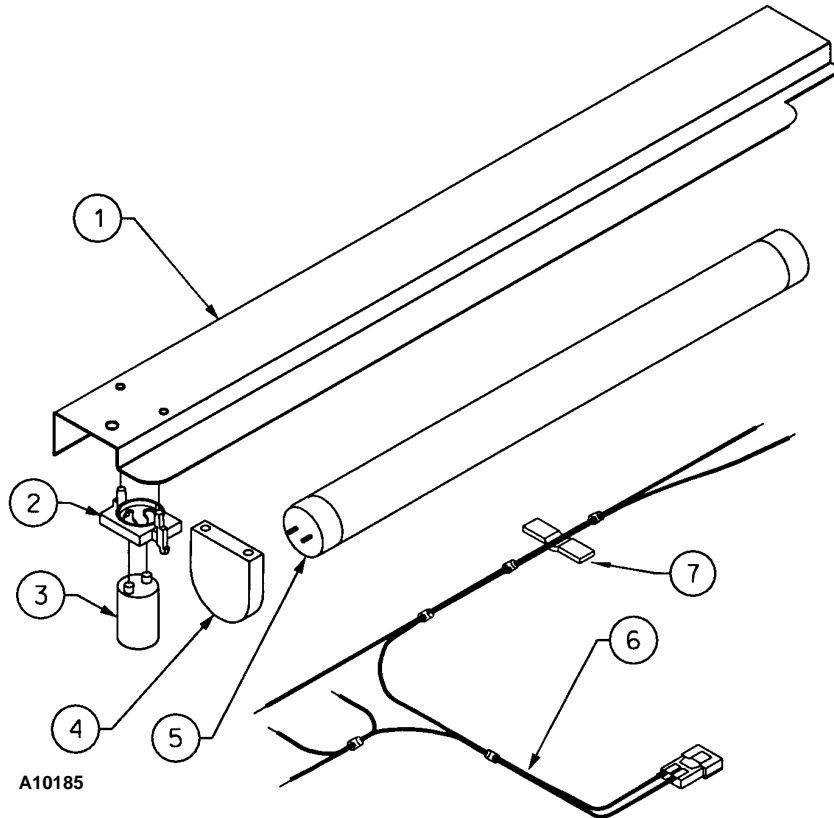
A10249

## Delivery Assembly – GF35 II

ITEM	PART NO.	DESCRIPTION	QTY	CC
	1212040-007	Delivery Box Assembly	1	AS
1	1212037-004	Delivery Weldment	1	WE
2	4203379	Delivery Mount	1	ST
3	4205250	Delivery Mount	1	ST
4	4205251	Product Deflector	1	ST
5	4050423	8-18x3/8 Phil PH Type AB	A/R	SC
6	4025263	Type 7 Nyliner – Snap in Plastic Bushing	4	BU
7	4203377-004	Delivery False Box	1	ST
8	1212252-004	Cam/Rod Weldment	1	WE
9	4203373-004	Del Anti-Cheat	1	ST
10	4050239	8-32X3/8 Phil PH Type T – GF19 II	A/R	SC
	8800766	8-32x1/2 Phil PH Type T – GF35 II	A/R	SC
11	1212038-006	Follower Weldment	1	WE
12	4208947	Delivery Bushing	1	BU
13	8801011	#8 Flat Washer	A/R	WA
14	8801080	E-Ring 5/16	1	RR
15	1212041-004	Delivery Door Weldment	1	WE
16	4203436-004	Rear Delivery Deflector	1	ST
17	4205249	Delivery Anti-Theft	1	ST

# COMMON DOOR (CONTINUED)

## Light Assembly

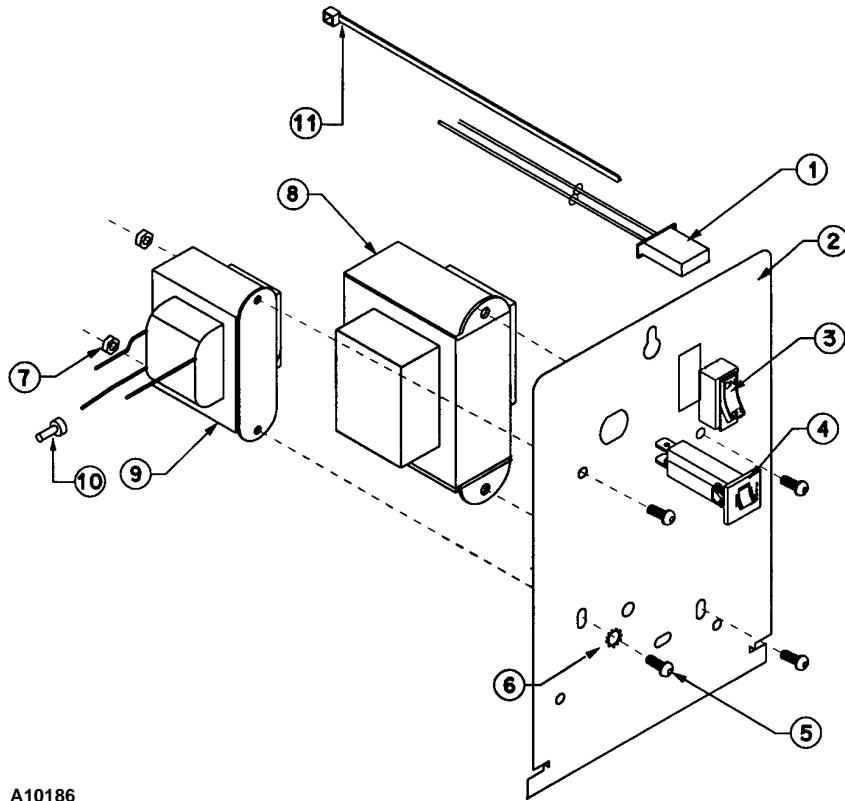


A10185

ITEM	PART NO.	DESCRIPTION	QTY	CC
	1214767	Light Assembly – GF19 II	1	AS
	1214870	Light Assembly – GF35 II	1	AS
1	1214738	Light Reflector Weldment – GF19 II	1	WE
	1214799	Light Reflector Weldment – GF35 II	1	WE
2	4208884	Starter Socket	1	EL
3	4033567	Starter FS-2	1	EL
4	4207171	Lamp Socket	2	EL
5	4033668	Lamp F14T8/CW	1	LP
6	4208807-003	Lamp Harness 3W	1	HA
7	4060130	Press Clip-1/4"	1	CL



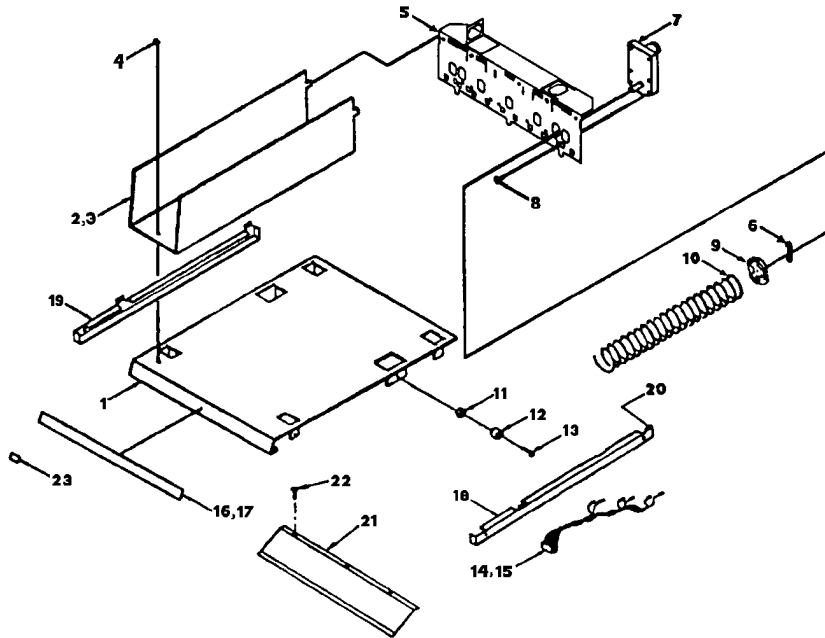
# POWER PANEL ASSEMBLY



A10186

ITEM	PART NO.	DESCRIPTION	QTY	CC
	1214528-110	Power Assembly 110V/3W/DOM/A	1	AS
1	4209153	Power Panel Harness	1	HA
2	4208695	Power Panel	1	ST
3	4202088	Switch – Rocker	1	SW
4	4203467-003	3 Amp Circuit Breaker	1	FU
5	4050240	8-32x3/8 Phil PH MS	5	SC
6	4050585	#8 External Tooth Lockwasher	5	WA
7	8800956	8-32 Hex Nut W/ ETW	5	NU
8	4206570-000	Transformer – 110V	1	XF
9	4033609	Ballast SP2	1	XF
10	4033505	Closed End Splice Cap	2	EL
11	4033712	Cable Tie 7 3/8"	1	WT

# TRAY ASSEMBLY



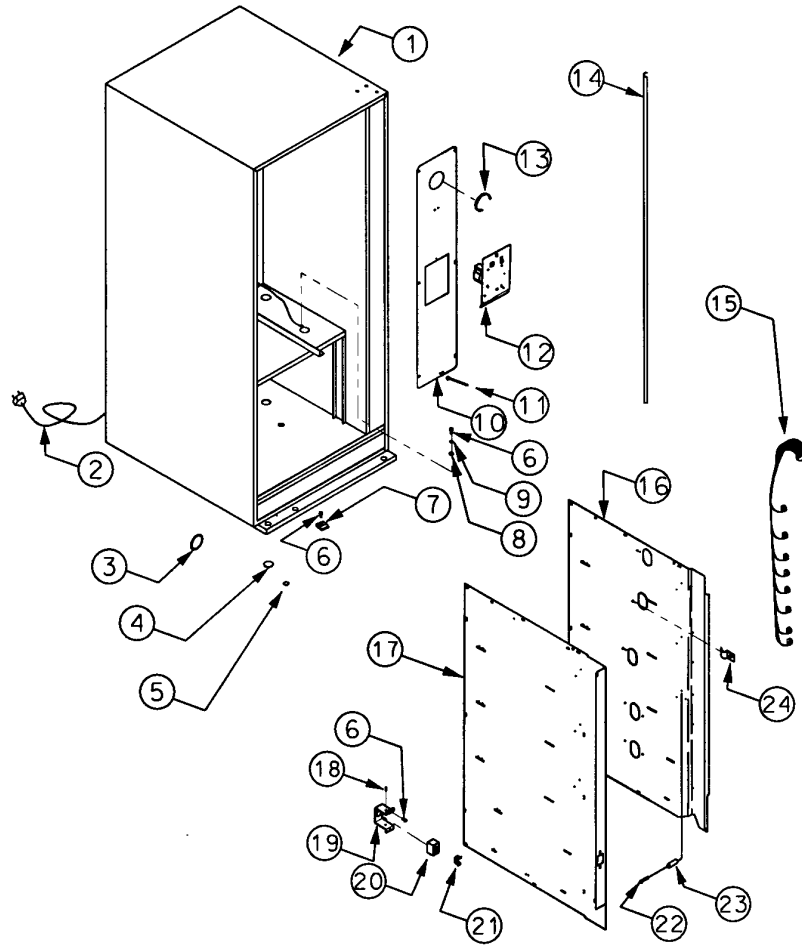
A10187

ITEM	PART NO.	DESCRIPTION	CANDY QTY	SNACK QTY	CC
	1214796	Candy Tray Assy – GF19 II	1	--	AS
	1214796-001	Candy Tray Assy Btm – GF19 II	1	--	AS
	1214797	Snack Tray Assy – GF19 II	--	3	AS
	1214872	Candy Tray Assy – GF35 II	1	--	AS
	1214874	Candy Tray Assy Btm – GF35 II	1	--	AS
	1214873	Snack Tray Assy (6) – GF35 II	--	2	AS
	1214875	Snack Tray Assy (5) – GF35 II	--	1	AS

## Tray Assembly

ITEM	PART NO.	DESCRIPTION	CDY QTY	SNK QTY	CC
1	4202297	Product Tray Base – GF19 II	1	1	PL
	4205235	Product Tray Base – GF35 II	1	1	PL
2	4202298	Candy Divider – GF19 II	3	--	ST
	4205236	Candy Divider – GF35 II	5	--	ST
3	4202300	Snack Divider – GF19 II	--	2	ST
	4205241	Snack Divider (6) – GF35 II	--	3	ST
	4202300	Snack Divider – GF35 II	--	3	ST
4	7201418-003	Rivet	A/R	A/R	RI
5	4209594	Motor Back – GF19 II	1	1	ST
	4209670	Motor Back Candy – GF35 II	1	--	ST
	4209679	Motor Back Snack – GF35 II	--	1	ST
6	4050773-001	Hitch Pin	A/R	A/R	WF
7	4034342	24VDC Motor – 360° – GF19 II	A/R	A/R	MO
	4209662	24VDC Motor – 360° – GF35 II	A/R	A/R	MO
8	8800636	8-18x1/2 Phil PH Type B	A/R	A/R	SC
9	4025745	Auger Coupling	A/R	A/R	PL
10	4202314	Auger 10 Snack	--	A/R	WF
	4202314-001	Auger 12 Candy	A/R	--	WF
11	4050511	8-32 Two Way Lock Nut	4	4	NU
12	4060172	Nylon Roller	4	4	PL
13	4050253	8-32x5/8 Phil RH Screw	4	4	SC
14	4209590	3W Tray Harness – GF19 II	--	1	HA
	4209591	5&6 W Tray Harness – GF35 II	--	1	HA
15	4209591	5&6 W Tray Harness – GF19 II	1	--	HA
	4209592	9 W Tray Harness – GF35 II	1	--	HA
16	4202318	Item Sel Strip – Snk A – GF19 II	--	1	DE
	4205342	Item Sel Strip – Snk A1-A5 – GF35 II	--	1	DE
	4202318-001	Item Sel Strip – Snk B – GF19 II	--	1	DE
	4205343-001	Item Sel Strip – Snk B1-B6 – GF35 II	--	1	DE
	4202318-002	Item Sel Strip – Snk C – GF19 II	--	1	DE
	4205343-002	Item Sel Strip – Snk C1-C6 – GF35 II	--	1	DE
17	4202317-003	Item Sel Strip – Cdy D – GF19 II	1	--	DE
	4205344-003	Item Sel Strip – Cdy D1-D9 – GF35 II	1	--	DE
	4202317-004	Item Sel Strip – Cdy E – GF19 II	1	--	DE
4205344-004	Item Sel Strip – Cdy E1-E9 – GF35 II	1	--	DE	
18	4003717-000	Drawer Guide – Right	A/R	A/R	ST
19	4003717-001	Drawer Guide – Left	A/R	A/R	ST
20	4050202	8-18 x ½ Phil HWH Tek	A/R	A/R	SC
21	4205726	Tray Lip (Bottom Tray) – GF19 II	1	--	ST
	4205238	Tray Lip (Bottom Tray) – GF35 II	1	--	ST
22	4050420	8-18x1/4 Phil HWH Screw	3	--	SC
23	4202690	Price Label .30 - .55	A/R	A/R	LA
	4202690-001	Price Label .60 - .85	A/R	A/R	LA
	4202690-002	Price Label .90 - 1.15	A/R	A/R	LA

# CABINET ASSEMBLY



A10215

## Cabinet Assembly

ITEM	PART NO.	DESCRIPTION	QTY	CC
	1214766	Cabinet Assembly – GF19 II	1	AS
	1214868	Cabinet Assembly – GF35 II	1	AS
1	1211169-002	Cabinet Weldment – GF19 II	1	WE
	1212251-002	Cabinet Weldment – GF35 II	1	WE
2	4203520	Power Cable	1	HA
3	7250135-007	Hole Plug 2 ¼"	1	PL
4	7250135-000	Hole Plug 1 3/8"	2	PL
5	7250135-003	Hole Plug ¾"	2	PL
6	4050202	8-18x1/2 Phil HWH Tekes	A/R	SC
7	4025610	Door Glide	1	PL
8	4050513	8-32 Twin Whiz Lock Nut	A/R	NU
9	4050585	#8 External Tooth Lock Washer	A/R	WA
10	4209458	Control Panel	1	ST
11	4203509	Cable Tie	A/R	WT
12	1214528-110	Power Panel Assembly (See Page 15)	1	ST
13	4206469	Edge Guard	.8 FT	GA
14	4202256	Edge Guard	5 FT	GA
15	4209783	Main Harness – GF19 II	1	HA
	4209516	Main Harness – GF35 II	1	HA
16	1214792	Right Panel Weldment	1	WE
17	4209517	Left Side Panel – GF19 II	1	ST
	4205231	Left Side Panel – GF35 II	1	ST
18	8800638	10-16x3/8 Phil PH Type B	3	SC
19	4205335	¼ Turn Nut Mount	1	ST
20	4203634	Split Nut Assembly	1	NU
21	4205538	Nut Retainer	1	ST
22	4050241	8-18x3/4 Phil PD Type AB	6	SC
23	4060174	Rolled Split Spacer	6	BU
24	4050750-000	½ Conduit Clamp	A/R	CP

